

INSTALLATION INSTRUCTIONS

Thermostatic Check Stops

Part #: 1050-11-C-BR-RGH, 1050-H-BR-RGH



RECOMMENDED TOOLS

13/16" SOCKET (6 POINT)

LONG FLAT TIPPED SCREW DRIVER

PLIERS (MAY BE REQUIRED TO PULL CHECK STOP FROM BODY)

PREPARATION

MAKE SURE WATER IS TURNED OFF, AND RUN ANOTHER FUNCTION ON THAT LINE TO RELIEVE PRESSURE IN LINE.

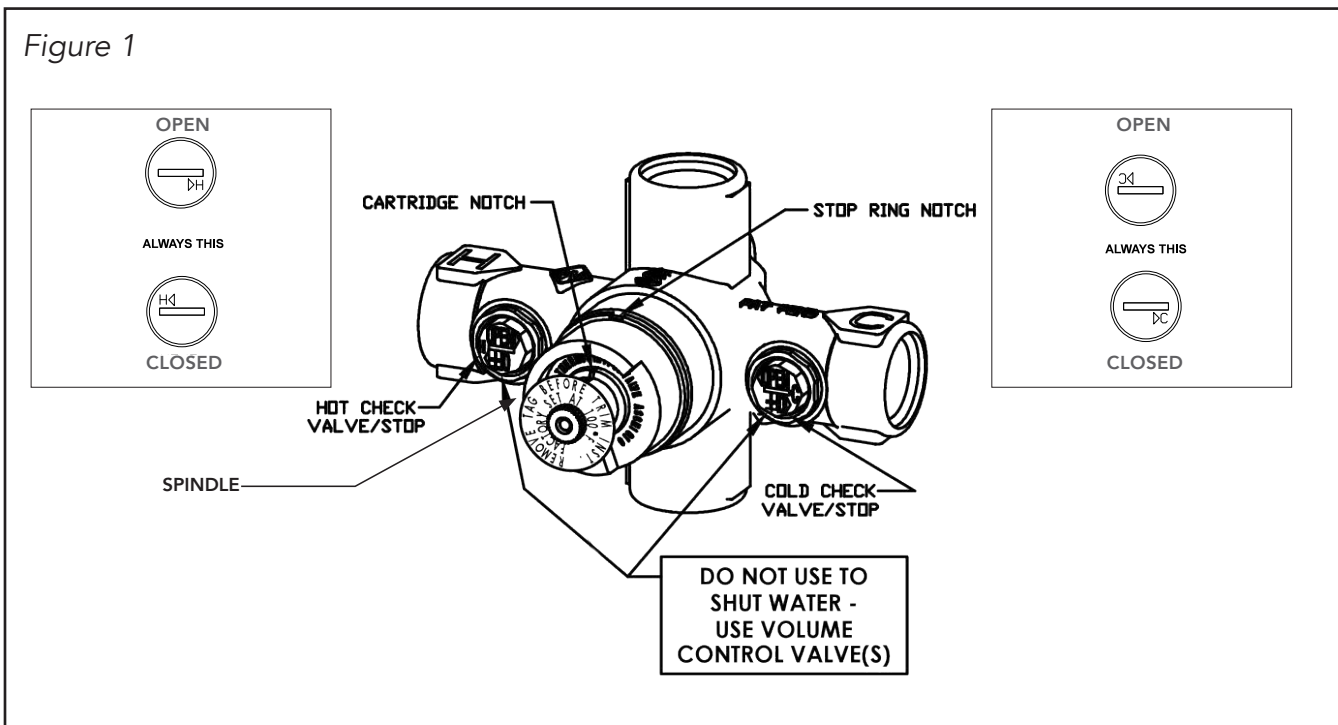
REMOVAL

1. Remove handle, remove trim plate.
2. Using 13/16" socket, remove check stop locknut (part # 1050-12-RGH).
3. Check stop can be pulled out at this point.
4. Ensure area inside is clean and free of any debris.

****NOTE: SEE INSTALLATION INSTRUCTIONS FOR J-TH34 ROUGH****

INSTALLATION

1. Lubricate check stop with appropriate lubricant (Silicone Grease)
2. Slide locknut onto screwdriver.
3. Insert check stop (Cold on right - Hot on left).
4. Install check stop locknut and tighten with 13/16" socket.
 - a. Best Practice/Hint: Check stop needs pressure applied to allow locknut to be threaded. Slide locknut onto screwdriver and while pushing the check stop into the valve with the screwdriver you can now thread the check stop locknut in place. Once locknut is threaded screw driver is no longer needed for this step. Use 13/16" socket and tighten locknut.
5. Turn the check stop to the closed position see Figure 1 below. Arrow points to center of valve when open.



6. Turn water supply on and check for leaks.
7. Turn check stops to on position, re-install trim.

To learn more about JACLO's warranty, please visit [**jaclo.com**](http://jaclo.com)