

INSTALLATION INSTRUCTIONS

Adjustable Wall Bar

Part #'s: 4624, 4630, 4642

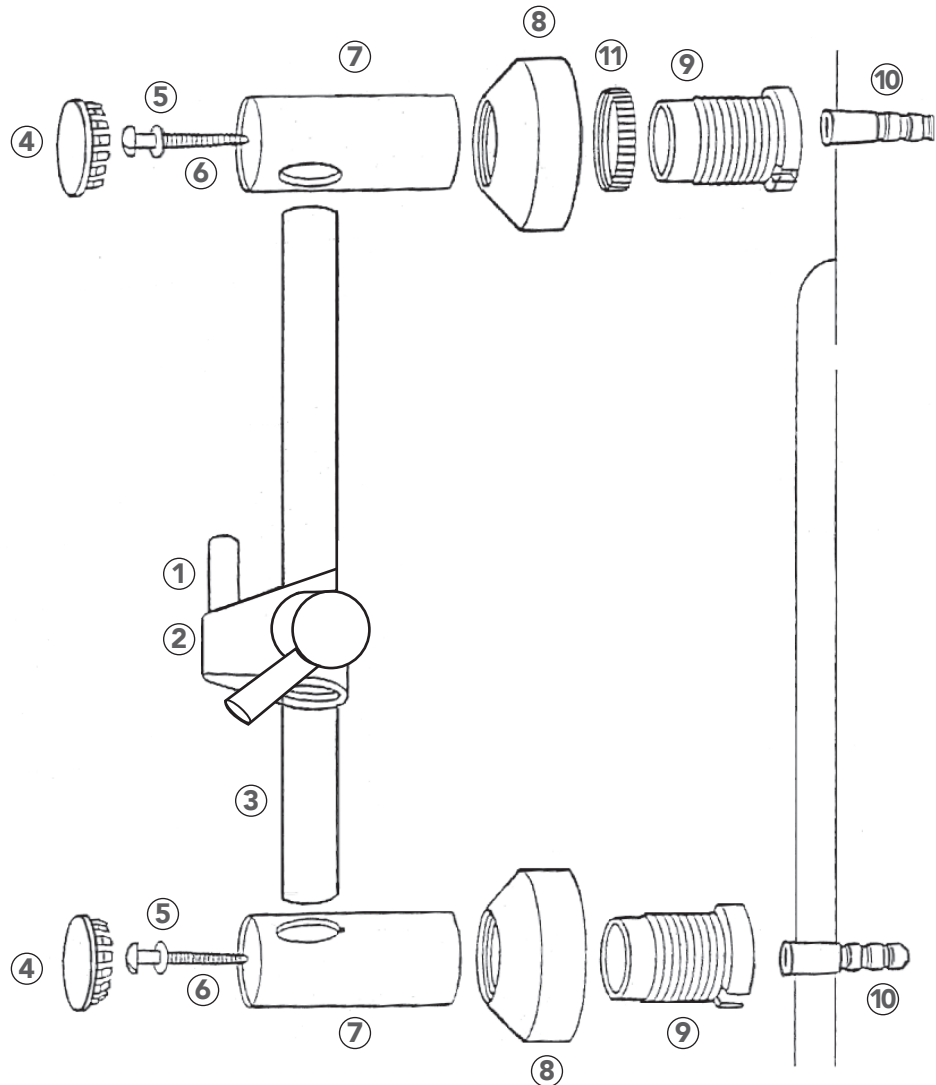
JACLO®

Confidence from start to finish.®

**NOTE: SCREW (6) MUST BE TIGHTENED BY HAND.
DO NOT USE AN ELECTRIC SCREW DRIVER OR DRILL.**

COMPONENT PARTS

1	Prong
2	Prong holder
3	Wall bar
4	Post holder cap
5	Washer
6	Screw
7	Post holder
8	Flange
9	Internal mount
10	Fastener
11	Brass ring



INSTALLATION

1. Slip post holder (7) onto flange (8).
2. Screw threaded internal mount (9) into post holder (7). Use brass ring (11) if wall is uneven.
3. Slide prong holder (2) onto wall bar (3). Make sure prong (1) is pointed up and away from wall.
4. Mount two post holders (7) on ends of wall bar (3).
5. Mark screw position on wall through slot in threaded internal mount (9). Drill holes and insert fasteners (10).
6. Put washer (5) on screw (6) and screw through slot into fastener (10).
7. Snap post holder cap (4) onto post holder (7).

To learn more about JACLO's warranty, please visit [**jaclo.com**](http://jaclo.com)