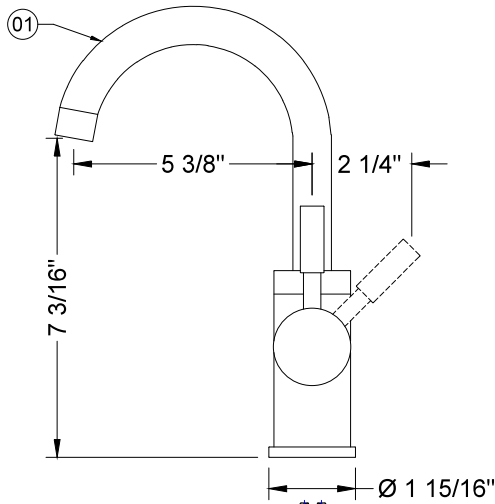


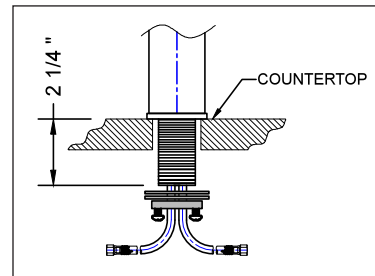
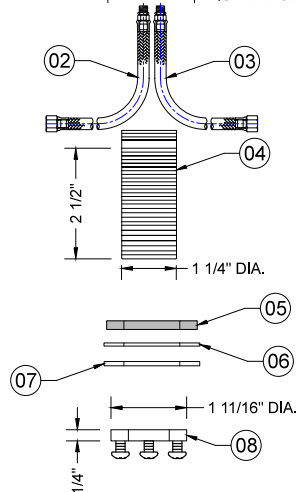
INSTALLATION INSTRUCTIONS

Contempo Faucet with Single Lever Handle Part #: 6677



COMPONENTS

1. SINGLE HANDLE BASIN FAUCET
2. COLD SUPPLY LINE
3. HOT SUPPLY LINE
4. MOUNTING SHANK
5. RUBBER O RING
6. RUBBER WASHER
7. METAL WASHER
8. MOUNTING NUT



INSTALLATION

1. Remove the mounting nut (8), metal washer (7) and rubber washer (6) from the mounting shank (4).
2. Confirm the mounting shank (4) is tight to the faucet body and check for rubber o ring (5) in the base
3. From above, feed the faucet supply lines (2)(3) and insert the mounting shank (4) through hole in sink.
4. From below, feed the rubber washer (6), metal washer (7) and mounting nut (8) over the faucet supply lines (2)(3).
5. Thread the mounting nut (8) over the faucet shank (4).
6. Tighten the mounting nut (8) to the base of the sink.
7. Tighten the mounting nut (8) retaining screws until faucet is secure in the sink.
8. Connect hot (red)(2) and cold (blue)(3) supply lines to water supply.
9. Turn on hot and cold water supplies and test for leaks. Adjust accordingly.

To learn more about JACLO's warranty, please visit [**jaclo.com**](http://jaclo.com)