

INSTALLATION INSTRUCTIONS

Cubix® Roman Tub Sets

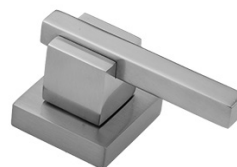
Part #'s: 4404-, 5404-

JACLO®

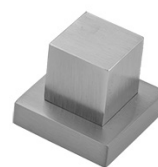
Confidence from start to finish.®



Handle Options:

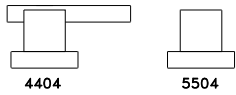


4404



5404

HANDLE OPTIONS



CUBIX® COLLECTION

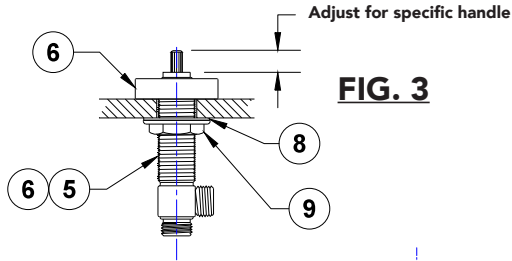


FIG. 3

COMPONENT PARTS	
TRIM	1 Aerator
	2 Cubix® Roman Tub Filler
	3 Handle
	4 Valve Escutcheon
ROUGH	5 Valve Body Cold
	6 Valve Body Hot
	7 Cartridge
	8 Fiber Washer (2)
	9 Valve Body Nut (2)
	10 Hose (2)
	11 Brass Washer
	12 Rubber Washer
	13 Brass Nut
	14 Brass Tee

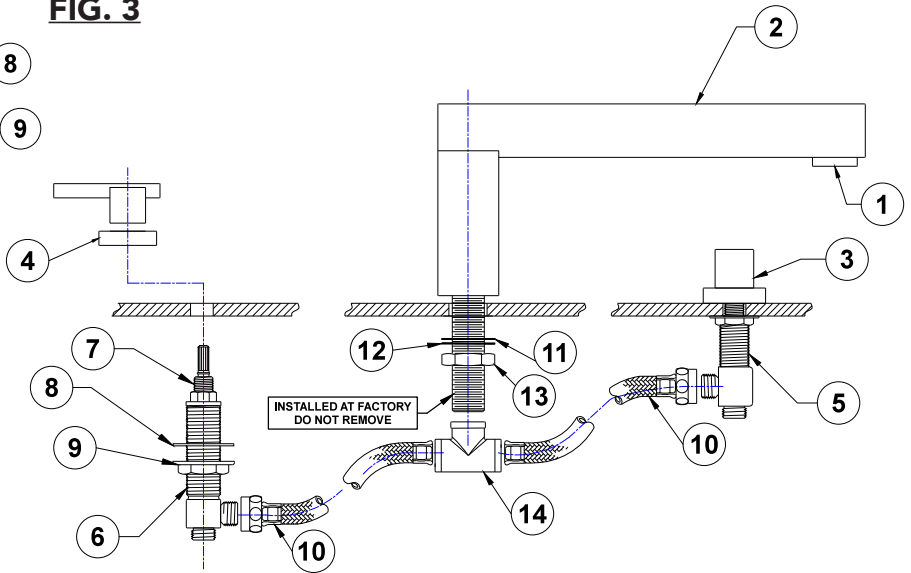


FIG. 2

SPOUT QUICK CONNECT AND VALVE BODY INSTALLATION

1. Confirm hole is in conformance with **Fig. 1**
2. Remove nut (**13**) and washer (**12**) from spout.
3. Drop spout (**2**) in from top of counter.
4. Install washer (**12**) and nut (**13**) from bottom of counter and tighten.
5. Install "T" (**14**) with suitable pipe sealant.
6. Install hot and cold valve assemblies (**5**)(**6**) from bottom of counter. Install valve escutcheon (**4**) **Fig.3** on valve assemblies. Adjust valve assemblies per **Fig. 3**, tighten nut (**9**) on each valve assembly
7. Install hot and cold hoses (**10**) from "T" to each valve assembly.
8. Connect hot and cold water supply to each valve assembly (bottom of assembly).

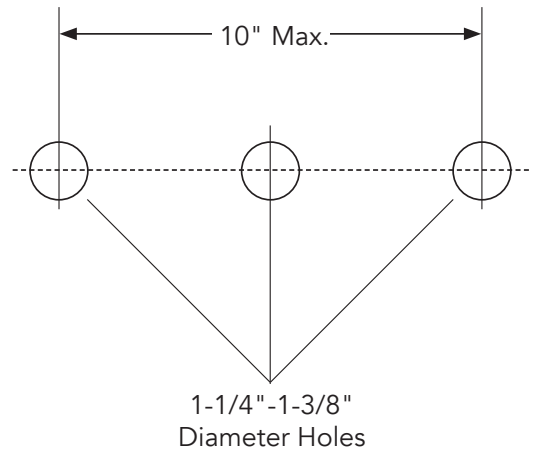
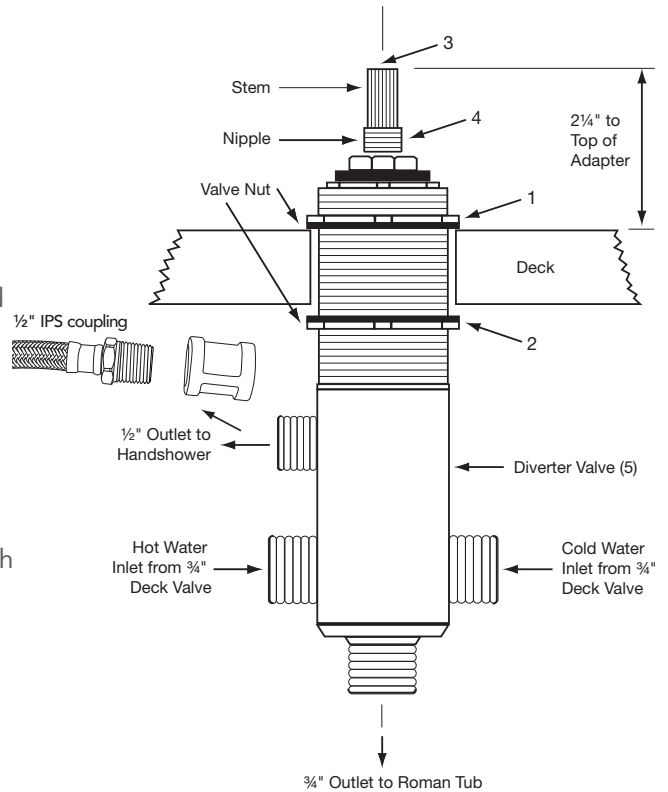


FIG. 1

INSTALLATION FOR DIVERTER & HANDSHOWER IF USED (NOT INCLUDED)

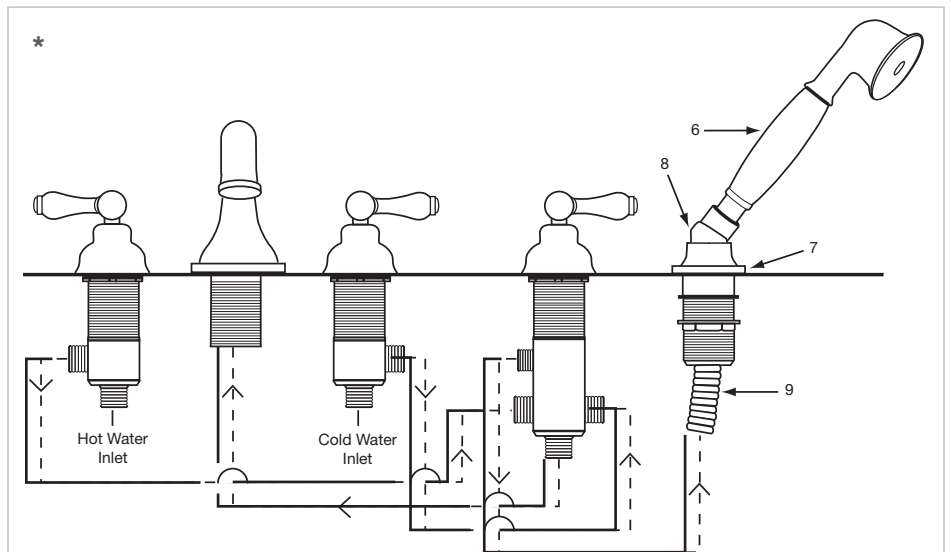
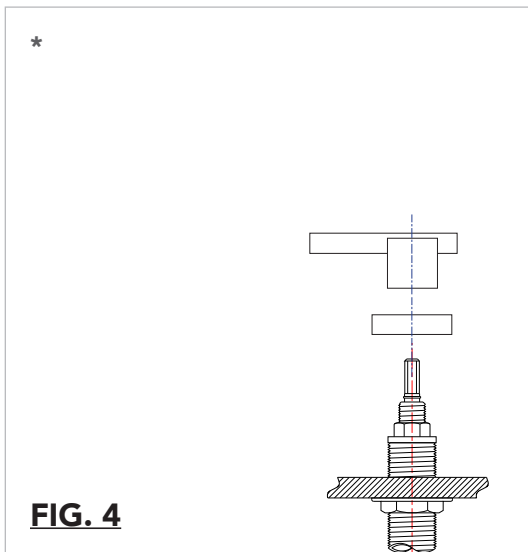
1. Remove trim and smaller top valve nut (1) from valve (not used)
 2. Provide 1½" diameter hole in deck. Maximum deck thickness is 2¼" for diverter only. Roman tub spouts and valves may differ and must be checked.
 3. Thread bottom valve nut (2) all the way down on diverter valve (5).
 4. Slide valve (from underneath) through deck.
 5. Screw escutcheon onto valve until top of stem (3) is approximately 2¼" above top of finished deck as shown. This is important as it controls the space between handle and escutcheon. Hand tighten bottom valve nut (2).
 6. Apply a small bead of silicone to the bottom of the escutcheon and install onto valve.
 7. Install handle. **See Fig. 4**
 8. Secure bottom valve nut (2). Connect coupling to diverter, hose to coupling, and backflow preventer to hose.
 9. Install handshower deck mount sleeve (7). Slide hose through the sleeve. Connect handshower hose to backflow preventer.
 10. Connect hot and cold water supply to valve.
- Note: Make sure any solder connections are at least 1½" away from valve body.**
11. Connect spout to bottom of diverter valve



HANDLE INSTALLATION (HANDLES VARY)

1. Handle trim **4404 and 5504** install with set screw into side of valve shaft **Fig.4**

* FOR ILLUSTRATION PURPOSES ONLY (STYLES VARY)



To learn more about JACLO's warranty, please visit [**jaclo.com**](http://jaclo.com)