

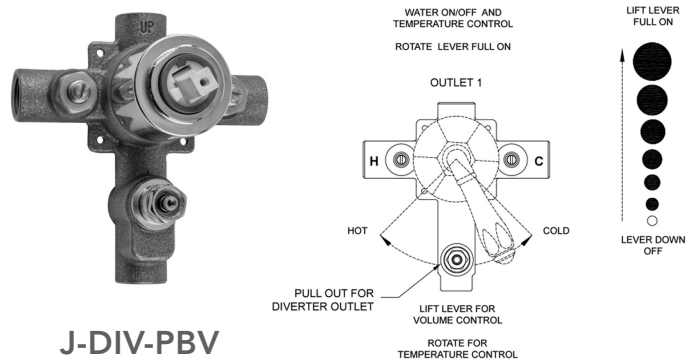
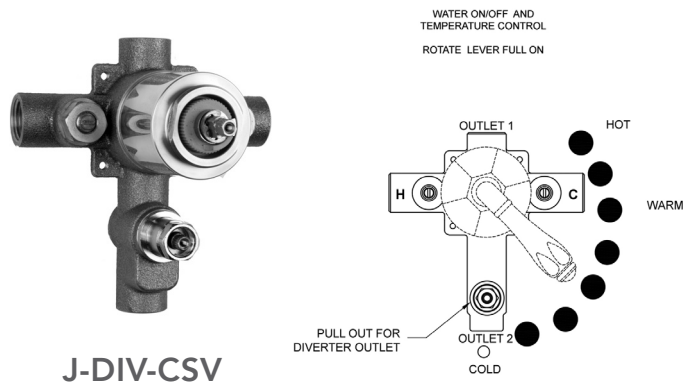
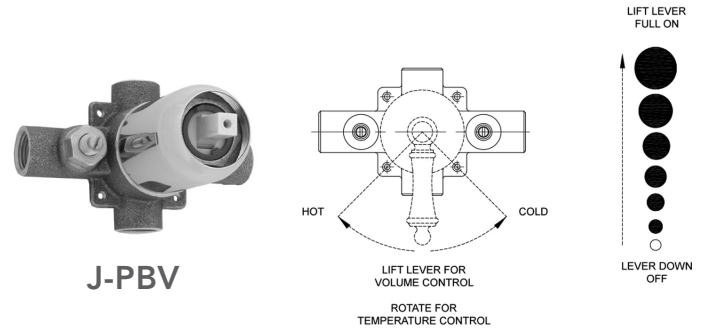
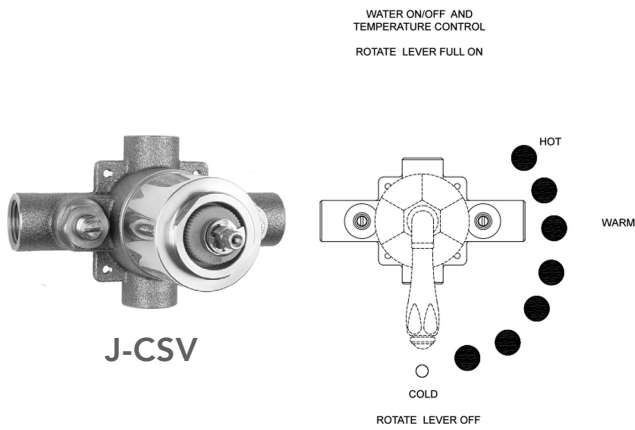
INSTALLATION INSTRUCTIONS



Pressure Balance Valves

Part #'s: J-CSV, J-PBV, J-DIV-CSV, J-DIV-PBV

FOLLOW ALL APPLICABLE LOCAL PLUMBING CODES, PUBLIC HEALTH AND SAFETY CODES



****IMPORTANT** WATER FLOWS FROM BOTTOM PORT OF VALVE FIRST.
If using valve for 2 functions, plumb desired first function from bottom port.**

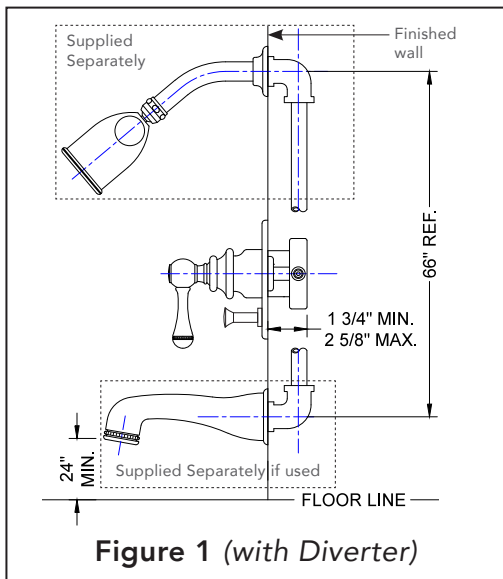


Figure 1 (with Diverter)

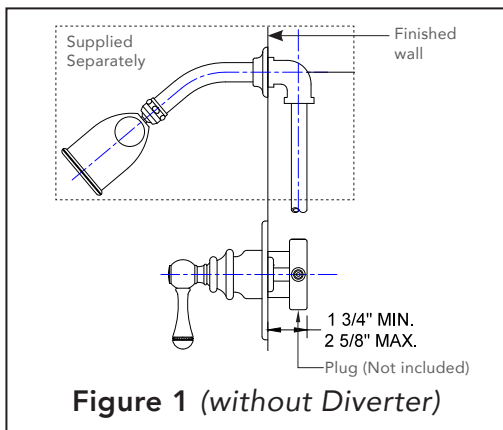


Figure 1 (without Diverter)

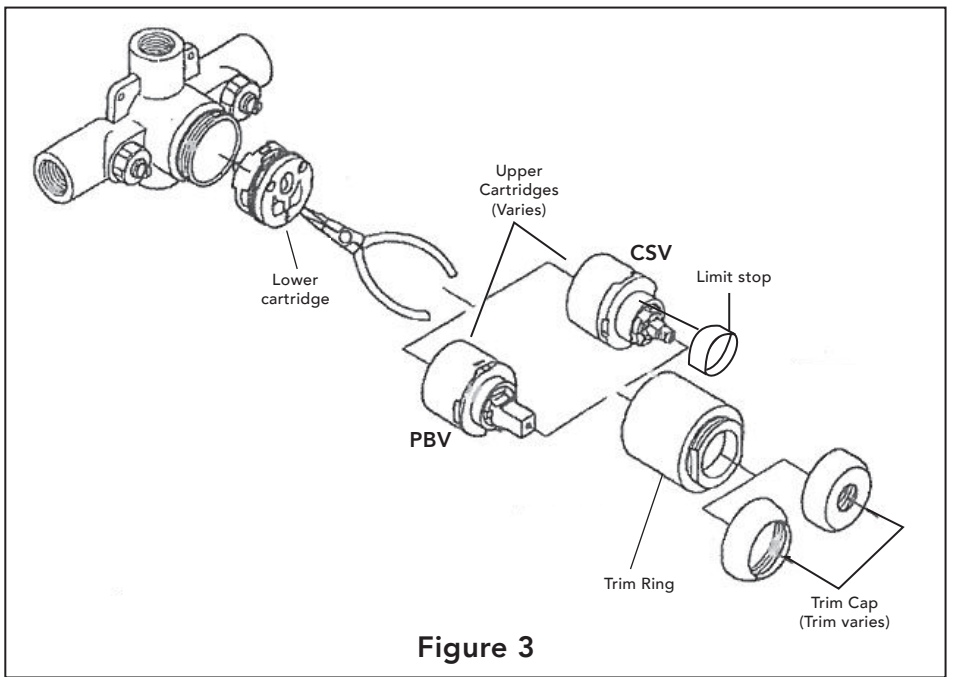


Figure 3

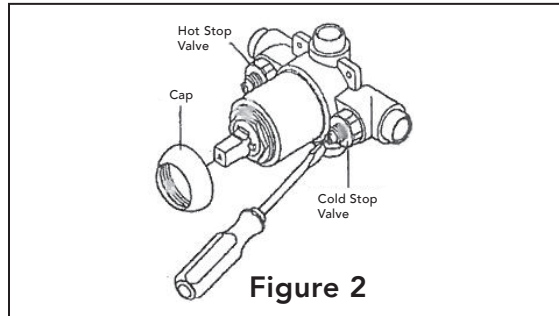


Figure 2

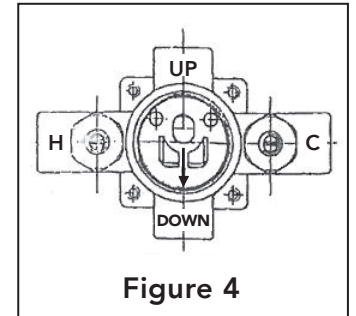


Figure 4

****IMPORTANT****
WATER FLOWS FROM BOTTOM PORT OF VALVE FIRST.
If using valve for 2 functions, plumb desired first function from bottom port.

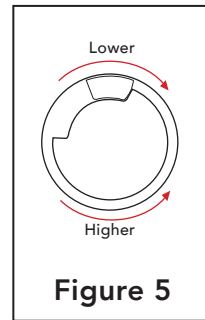


Figure 5

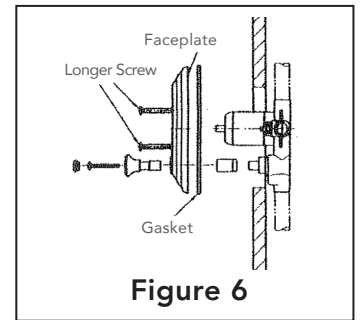


Figure 6

VALVE INSTALLATION

1. Turn off water supply.
2. Install valve in rough wall blocking within min. max. dimensions to finished wall. **Figure 1**
3. Remove plastic roughing shield.
4. Turn off hot and cold stops. **Figure 2**
5. Remove trim ring.
6. Remove upper and lower cartridges and store in clean package.
7. Connect hot and cold piping to valve. **Figure 4**
8. Connect shower and or tub piping to valve. Install pipe plug on any unused port. **Figure 4**
9. Turn water on.
10. Place a suitable container under valve and turn on hot and cold stops. Run water until it is clear and free of debris.
11. Turn off hot and cold stops.
12. Clean inner valve body.
13. Reinstall lower and upper cartridges. Installation tip: use a little silicone grease to keep seals in place during installation.
14. Install trim ring.
15. Open hot and cold stops and check for leaks.
16. Repeat steps 11-13 if leak is found.
17. Reinstall plastic roughing shield.

TRIM INSTALLATION (FINISHED WALL IS COMPLETE)

1. Remove and discard plastic roughing shield.
2. Close hot and cold stops.
3. Remove brass trim ring.
4. Install decorative trim ring.
5. Mount gasket on back of faceplate. **Figure 6**
6. Install faceplate. **Figure 6**
7. Install diverter handle (if used).
8. Install valve handle.

MAINTENANCE

1. Close both hot and cold stop valves. **Figure 2**
2. Remove both the upper and lower cartridges. **Figure 3**
3. Replace lower cartridge, making sure arrow is pointing down. **Figure 4**
4. Replace upper cartridge. **Figure 3**
5. Reinstall trim ring and trim cap, then turn on hot and cold stop valves **Figure 2** and check for leaks.
6. Reinstall the rest of trim (handle and faceplate - not shown).

LIMIT STOP ADJUSTMENT (J-CSV & J-DIV-CSV)

1. Valve maximum should be set per applicable building code(s).
2. Open valve and run water at maximum temperature, measure water temperature.
3. If adjustment is required, turn off hot and cold water supply at stop valves. **Figure 2**
4. Remove trim ring. **Figure 3**
5. Remove upper cartridge. **Figure 3**
6. Remove limit stop. **Figure 3**
7. Reinstall limit stop to achieve desired maximum temperature setting:
 - a. Clockwise to lower temperature **Figure 5**
 - b. Counter clockwise to increase temperature **Figure 5**
8. Reinstall cartridge.
9. Reinstall trim ring.
10. Open valve stops.
11. Retest maximum water temperature.
12. Repeat adjustment if required.

To learn more about JACLO's warranty, please visit [**jaclo.com**](http://jaclo.com)