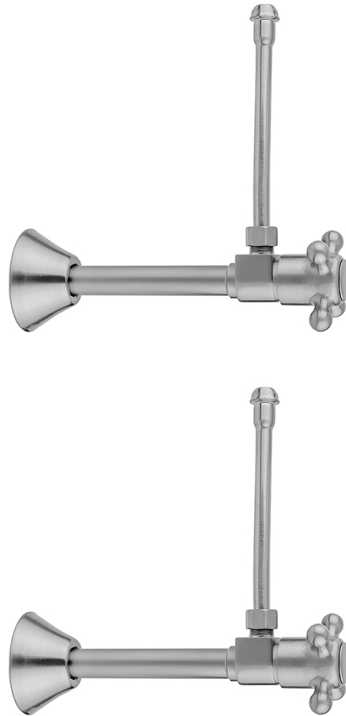


Quarter Turn Ceramic Disc Angle Pattern 1/2" Copper (Sweat fit) x 3/8" O.D. Faucet Supply Kit with Cross Handle and 20" Supply Tubes

Model #: 316-X-62-



FEATURES:

- Complete Faucet Supply Kit
- Kit contains:
 - (2) Quarter Turn Ceramic Disc Angle Pattern 1/2" Copper (Sweat fit) x 3/8" O.D. Supply Valve with Cross Handle P/N 316-X
 - (2) 20" Copper Supply Tubes P/N 662
 - (2) Bell Escutcheons P/N 7116

AVAILABLE FINISHES:

Polished Chrome (PCH)	Satin Chrome (SC)	Bronze Umber (BU)
Satin Nickel (SN)	Pewter (PEW)	Caramel Bronze (CB)
Polished Nickel (PN)	Antique Brass (AB)	Antique Copper (ACU)
Oil-Rubbed Bronze (ORB)	Polished Brass (PB)	Polished Copper (PCU)
Vintage Bronze (VB)	Satin Brass (SB)	Matte Black (MBK)
Satin Gold (SG)	Polished Gold (PG)	Black Nickel (BKN)
Bombay Gold (BG)	Jewelers Gold (JG)	Europa Bronze (EB)
White (WH)	Sedona Beige (SDB)	Tristan Brass (TB)
Satin Copper (SCU)		

SPECIFICATION DRAWING:

COMPONENTS	
DESCRIPTION	QTY:
ANGLE VALVE - STANDARD CROSS HANDLE	2
20" X 3/8" SUPPLY TUBE	2
ESCUTCHEON	2

AVAILABLE HANDLES:

