

Quarter Turn Angle Pattern 5/8" O.D. Compression (Fits 1/2" Copper) x 1/2" O.D. Supply Valve with Standard Cross Handle



Model #: 633-



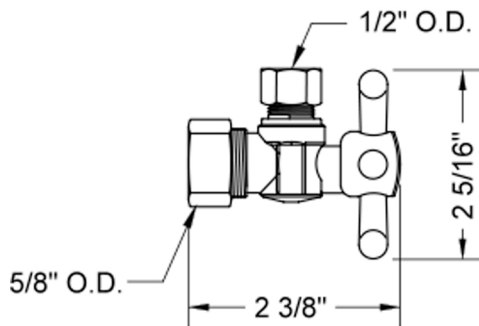
FEATURES:

- Angle pattern O.D. compression fit x 1/2" O.D. quarter turn ball valve
- 5/8" O.D. compression inlet x 1/2" O.D. outlet
- 3/8" O.D. compression fits 1/2" copper tubing
- White Porcelain button available - "H", "C" & plain for standard cross handle only
- All brass body and stem

AVAILABLE FINISHES:

Polished Chrome (PCH)	Satin Chrome (SC)	Bronze Umber (BU)
Satin Nickel (SN)	Pewter (PEW)	Caramel Bronze (CB)
Polished Nickel (PN)	Antique Brass (AB)	Antique Copper (ACU)
Oil-Rubbed Bronze (ORB)	Polished Brass (PB)	Polished Copper (PCU)
Vintage Bronze (VB)	Satin Brass (SB)	Matte Black (MBK)
Satin Gold (SG)	Polished Gold (PG)	Black Nickel (BKN)
Bombay Gold (BG)	Jewelers Gold (JG)	Europa Bronze (EB)
White (WH)	Sedona Beige (SDB)	Tristan Brass (TB)
Unlacquered Brass (ULB)	Satin Cooper (SCU)	

SPECIFICATION DRAWING:



AVAILABLE HANDLES:



COMPLIANCES:

Complies with: ASME A112.18.1-2012/CSA B125.1-12