

Dinamica II Handshower

Model #: S464-

FEATURES:

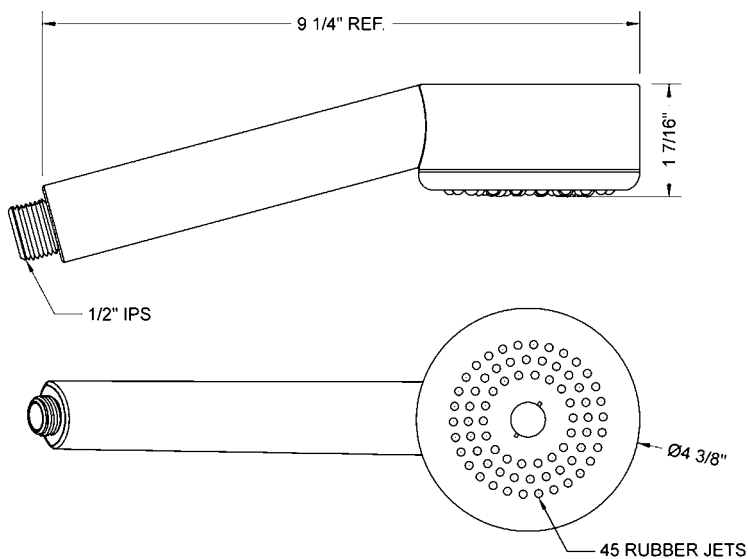
- Single function handshower with 4 3/8" face
- 1/2" IPS Male threads
- Contemporary design
- Available flow rates: 2.5, 2.0, 1.75 & 1.5 GPM



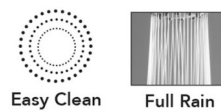
AVAILABLE FINISHES:

N/A

SPECIFICATION DRAWING:



SPRAY PATTERNS:



COMPLIANCES:

Complies with: ASME A112.18.1-2012/CSA B125.1-12