

# INSTALLATION INSTRUCTIONS

## Contemporary Stainless Steel 1-1/4" Grab Bars

Part #11412RND, 11418RND, 11424RND, 11432RND  
11436RND, 11442RND, 11448RND



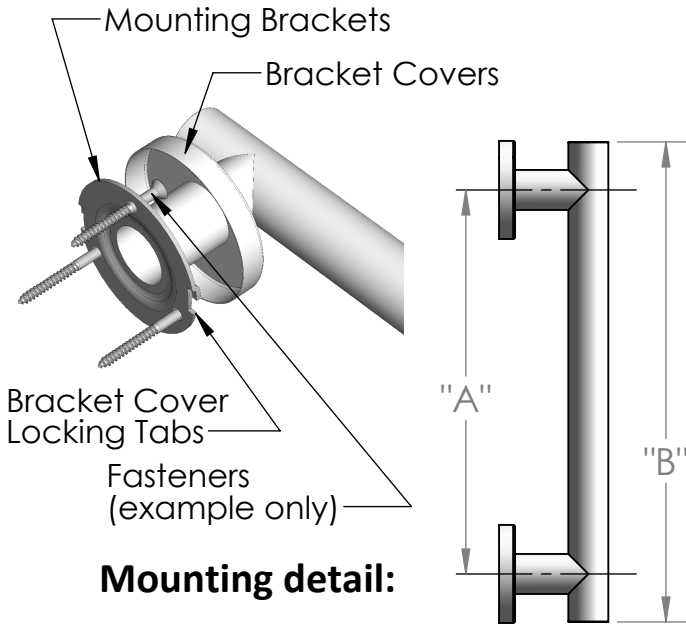
### Materials provided:

- 1ea. Grab Bar assembly
- 1 pkg. Installation hardware



### Recommended tools:

- Drill with long shank bits
- Long shank Phillips screwdriver
- Level



### Mounting detail:

Part #	A	B
11412RND	12"	15 1/8"
11418RND	18"	21 1/8"
11424RND	24"	27 1/8"
11432RND	32"	35 1/8"
11436RND	36"	39 1/8"
11442RND	42"	45 1/8"
11448RND	48"	51 1/8"

### Step 1:

Twist the two bracket covers counterclockwise to unlock them from the mounting brackets. Then slide the covers back to access the mounting bracket screw holes.

### Step 2:

Verify the mounting location, and mark the 6 fastener centers relative to the "A" dimension shown above. Use all 3 mounting holes provided in each bracket to install the JACLO Grab Bar. Use the appropriate fastener type required for specific wall materials and backing.

**Note:** Follow the fastener manufacturer's instructions when using Moly bolts, wood screw anchors, toggle bolts, Wingits, cement anchors, etc. for installations of the JACLO Grab Bar. Adhere to local building codes for installation compliance of the JACLO Grab Bar.

### Step 3:

After mounting the Grab Bar, slide the bracket covers over the mounting brackets, and orient the locking tabs accordingly, then twist clockwise to secure the covers flush to the wall.

To learn more about JACLO's warranty, please visit [\*\*jaclo.com\*\*](http://jaclo.com)