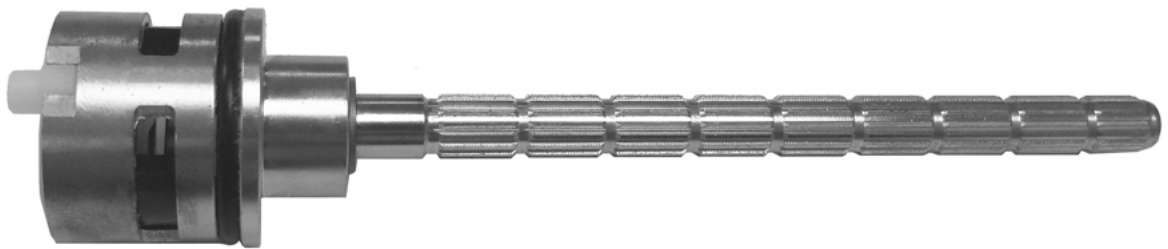


# INSTALLATION INSTRUCTIONS

## Cartridges for Volum Control & Diverter Valves

Part #'s: 15150-CART-RGH, 15128-CART-RGH, 15129-CART-RGH,  
15214-CART-RGH, 15215-CART-RGH

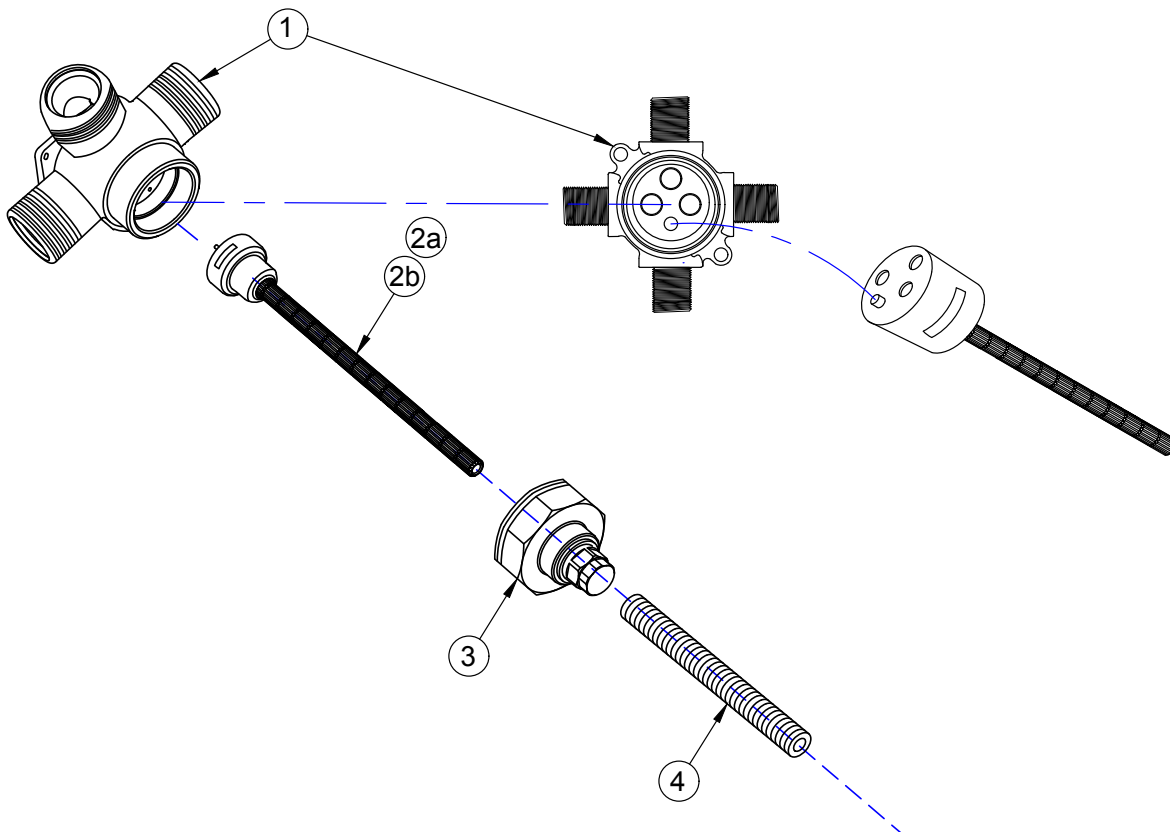


# RECOMMENDED TOOLS

1" (DEEP) SOCKET

# PREPARATION

**HAVE INSTALLATION INSTRUCTIONS FOR ROUGH AND TRIM ON HAND FOR THIS BEFORE BEGINNING.** MAKE SURE WATER IS TURNED OFF, AND RUN ANOTHER FUNCTION ON THAT LINE TO RELIEVE PRESSURE IN LINE. REMOVE HANDLES AND TRIM PLATE (IF INSTALLED)



ITEM	DESCRIPTION	QTY	PART #
1	Diverter Body Rough	1	DIV-BODY
2a 2b	Diverter Cartridge	1	15150-CART / 15128-CART / 15129-CART / 15214-CART/15215-CART
3	Diverter Lock Nut Assembly	1	
4	Threaded Rod	1	

## REMOVAL

1. Remove handle and trim.
2. Shut off water supply check stops located on thermostatic valve. (*Reference rough in instructions*)
3. Remove threaded tube (4) from spline
4. Remove diverter nut using 1" wrench. (3) (J-20686 / J-20688 / J-20682 / J-20687 / J-20689)
5. Remove cartridge (2a or 2b) (J-20686 / J-20688 / J-20682 / J-20687 / J-20689) Cartridge pulls straight out at this point.
6. Check for any debris in valve.

## INSTALLATION

1. Re-install diverter (2b) into body (1) so nub from cartridge goes into detent in valve.
2. Install locknut using 1" wrench, tighten nut and replace spline adapter.
3. Turn on water and check for leaks.
4. Replace threaded tube (4)
5. Replace trim.

To learn more about JACLO's warranty, please visit [\*\*jaclo.com\*\*](http://jaclo.com)