

INSTALLATION INSTRUCTIONS

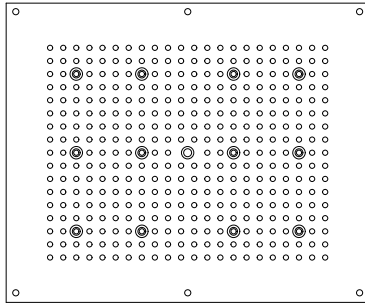


Confidence from start to finish.®

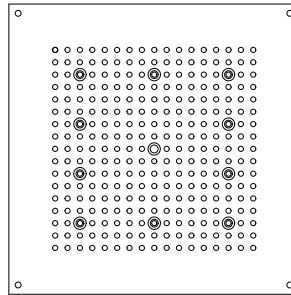
DREAM LIGHT RAIN CANOPY

Part #'s: 1620-DLRC, 1616-DLRC, 1212-DLRC, 16R-DLRC, 12R-DLRC
1620-DLCT, 1616-DLCT, 1212-DLCT, 16R-DLCT, 12R-DLCT

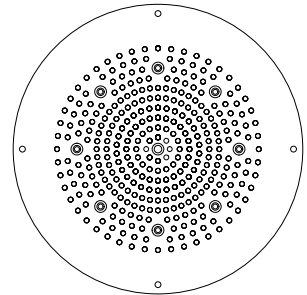
DREAM LIGHT



1620-DLRC
RETTANGO
18.5" x 23" - 12 LED



1616-DLRC
QUADRATO
18.5" x 18.5" - 10 LED

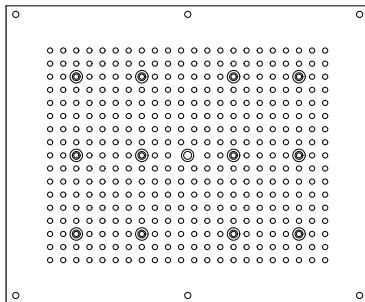


16R-DLRC
CIRCOLARE
18.5" Diameter - 8 LED

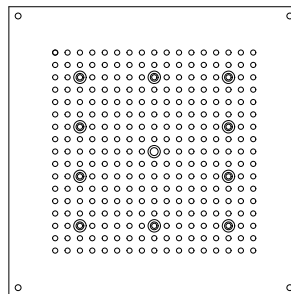
1212-DLRC
QUADRATO
14.5" x 14.5" - 4 LED

12R-DLRC
CIRCOLARE
14.5" - 4 LED

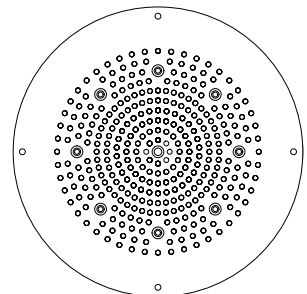
DREAM LIGHT CHROMATHERAPY



1620-DLCT
RETTANGO
18.5" x 23" - 12 LED



1616-DLCT
QUADRATO
18.5" x 18.5" - 10 LED



16R-DLCT
CIRCOLARE
18.5" Diameter - 8 LED


1212-DLCT
QUADRATO
14.5" x 14.5" - 4 LED

12R-DLCT
CIRCOLARE
14.5" - 4 LED

TECHNICAL FEATURES

PRODUCT	LEDs	FLOW RATES (gal/min)	PRODUCT WEIGHT (lbs.)	PRODUCT WEIGHT WITH WATER (lbs.)
1620-DLRC/ DLCT RETTANGO	12	4.23	23.15	25.46
1616-DLRC/ DLCT QUADRATO	10	4.23	18	20.61
1212-DLRC/ DLCT QUADRATO	4	3.70	15	17
16R-DLRC/ DLCT CIRCOLARE	8	4.23	15	17
12R-DLRC/ DLCT CIRCOLARE	4	3.70	10.58	11.68

ELECTRICAL EQUIPMENT *Technical specifications*

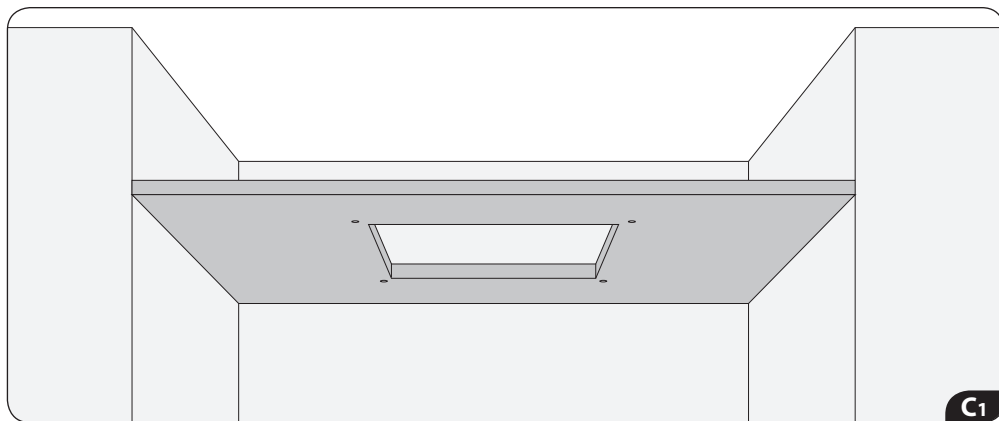
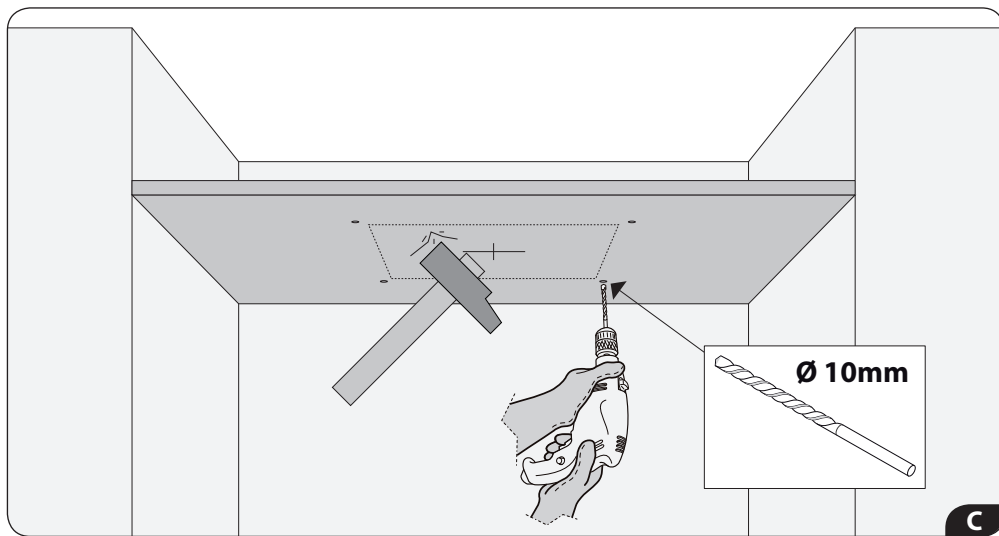
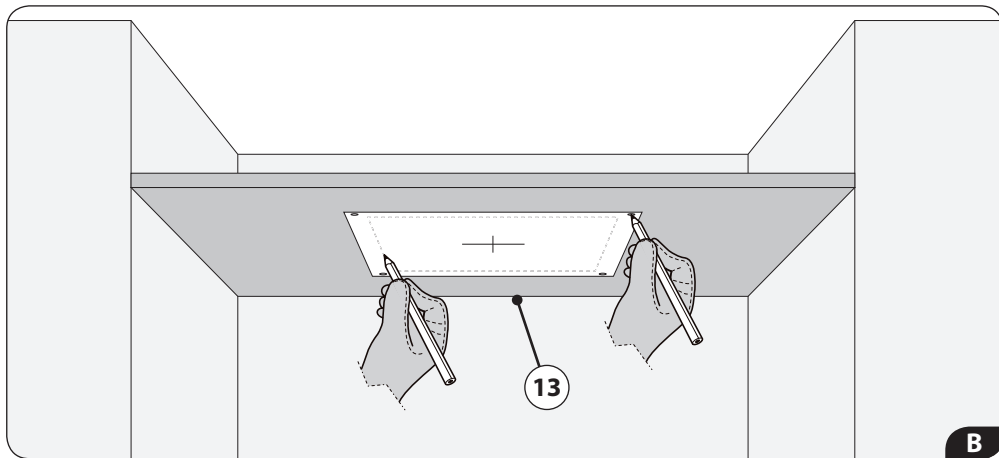
<i>Electric connection</i>	110VAC ~ 50-60 Hz - max 20w class of protection II
<i>Electric cable (supplied by customer)</i>	 External cable diameter: max 8.5mm
<i>1620-DLRC/DLCT RECTANGO</i>	12 low voltage LEDs
<i>1616-DLRC/DLCT QUADRATO</i>	4 low voltage LEDs
<i>1212-DLRC/DLCT QUADRATO</i>	10 low voltage LEDs
<i>16R-DLRC/DLCT CIRCOLARE</i>	4 low voltage LEDs
<i>12R-DLRC/DLCT CIRCOLARE</i>	8 low voltage LEDs
<i>Safety Transformer</i>	110VAC ~ / 7V= 50-60 Hz to be installed outside the safety area (in compliance with standard DIN VDE 0100, part 107 – according to prescription CEI 64/8)
<i>Grade of protection</i>	IP67
<i>Safety mark</i>	CE

The electrical systems must be carried out by a qualified technician in accordance with the national and international laws in force. If no commands are sent to the system, a time-out function automatically shuts the system off after approx. 30 minutes.

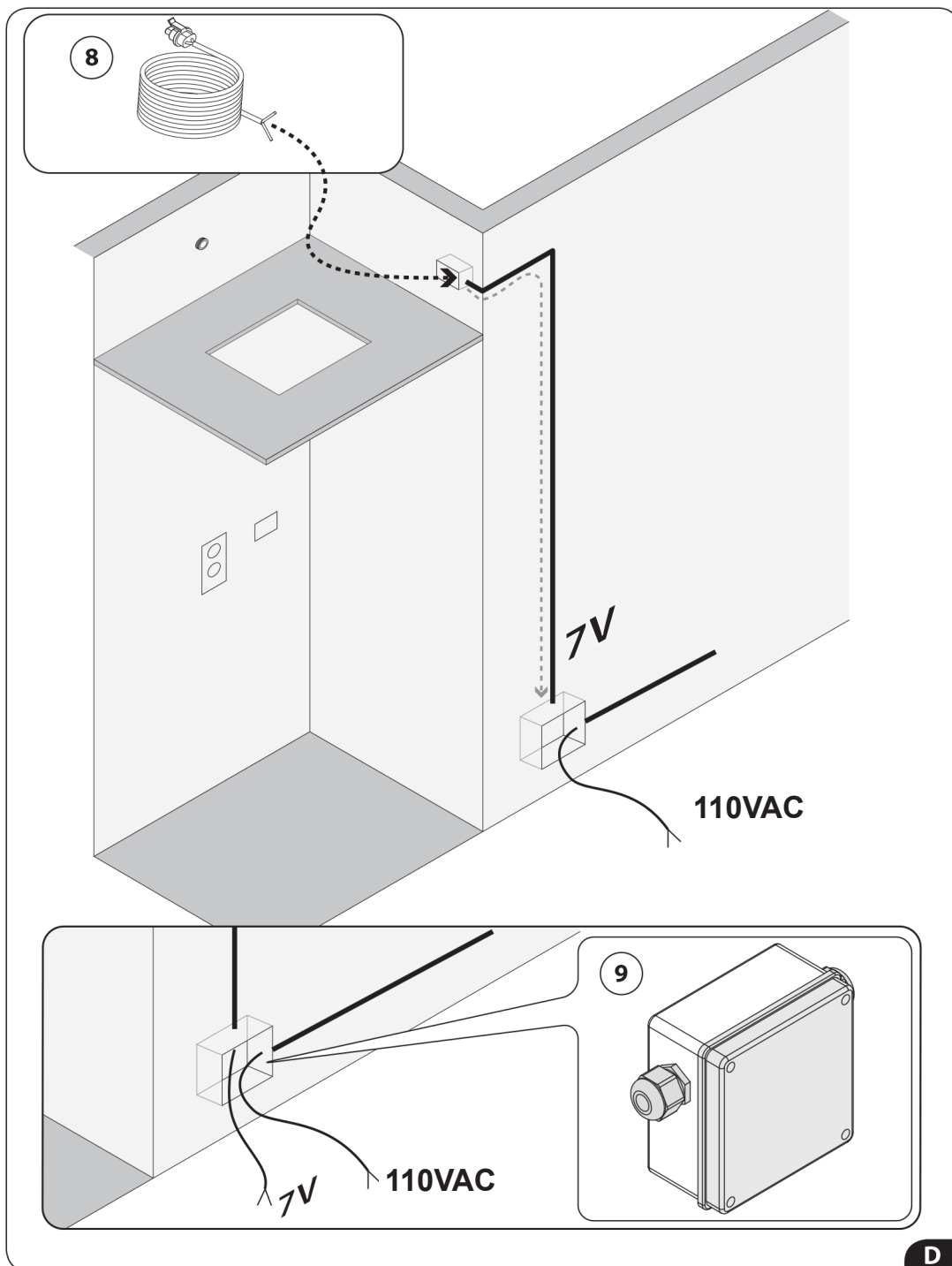
Power should run through the wiring with the aid of a residual-current device (RCD) possessing a working residual current no higher than 30mA.

DREAM LIGHT RAIN CANOPY INSTALLATION

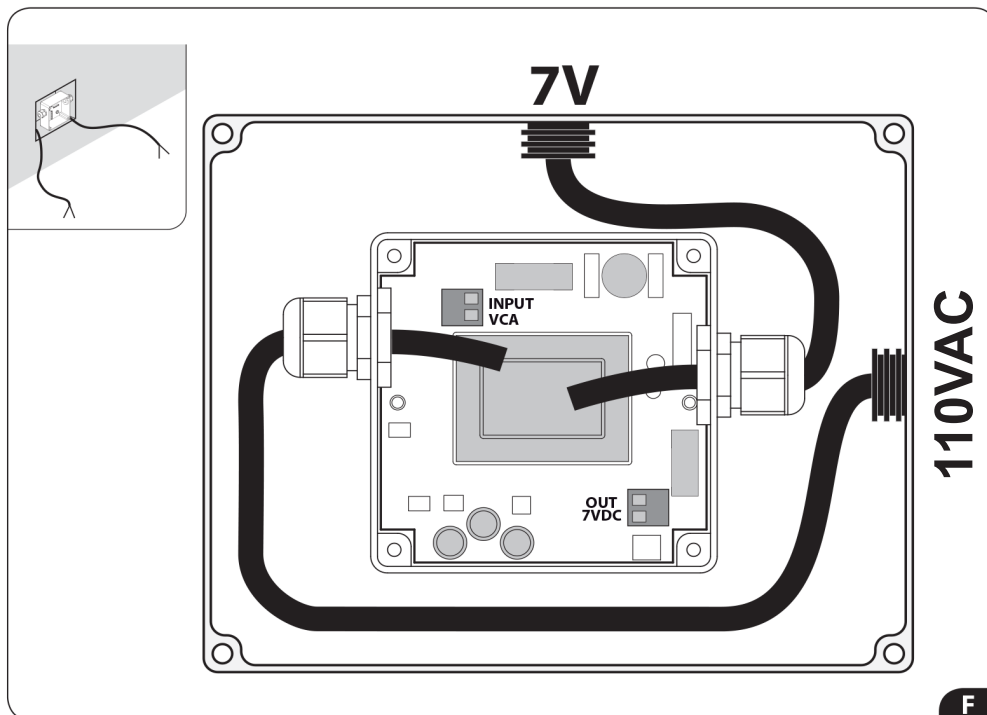
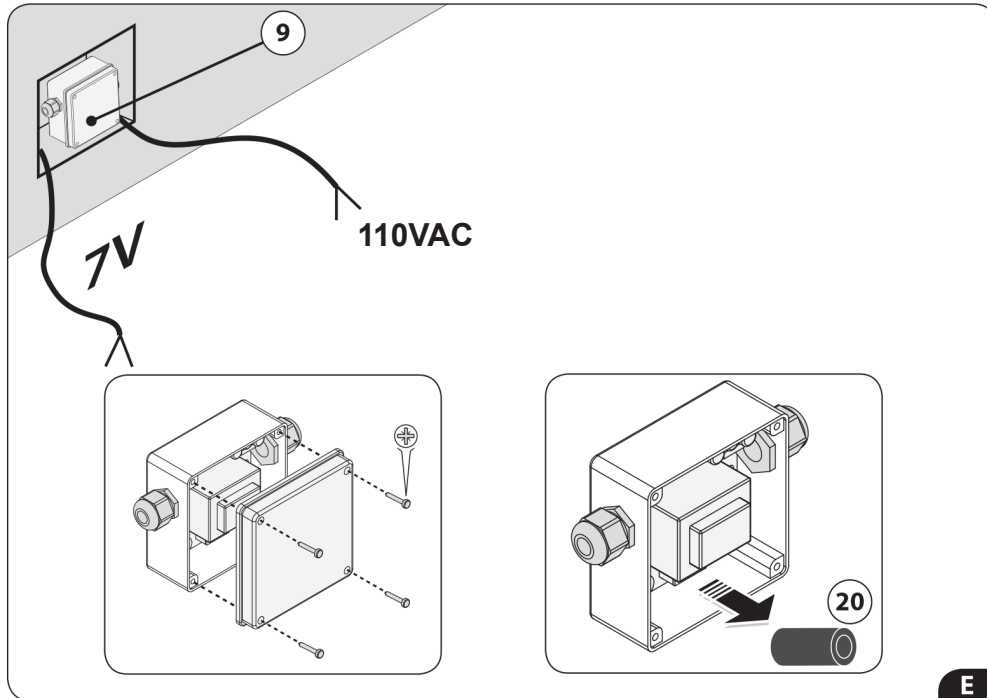
RECOMMENDED SET-UP



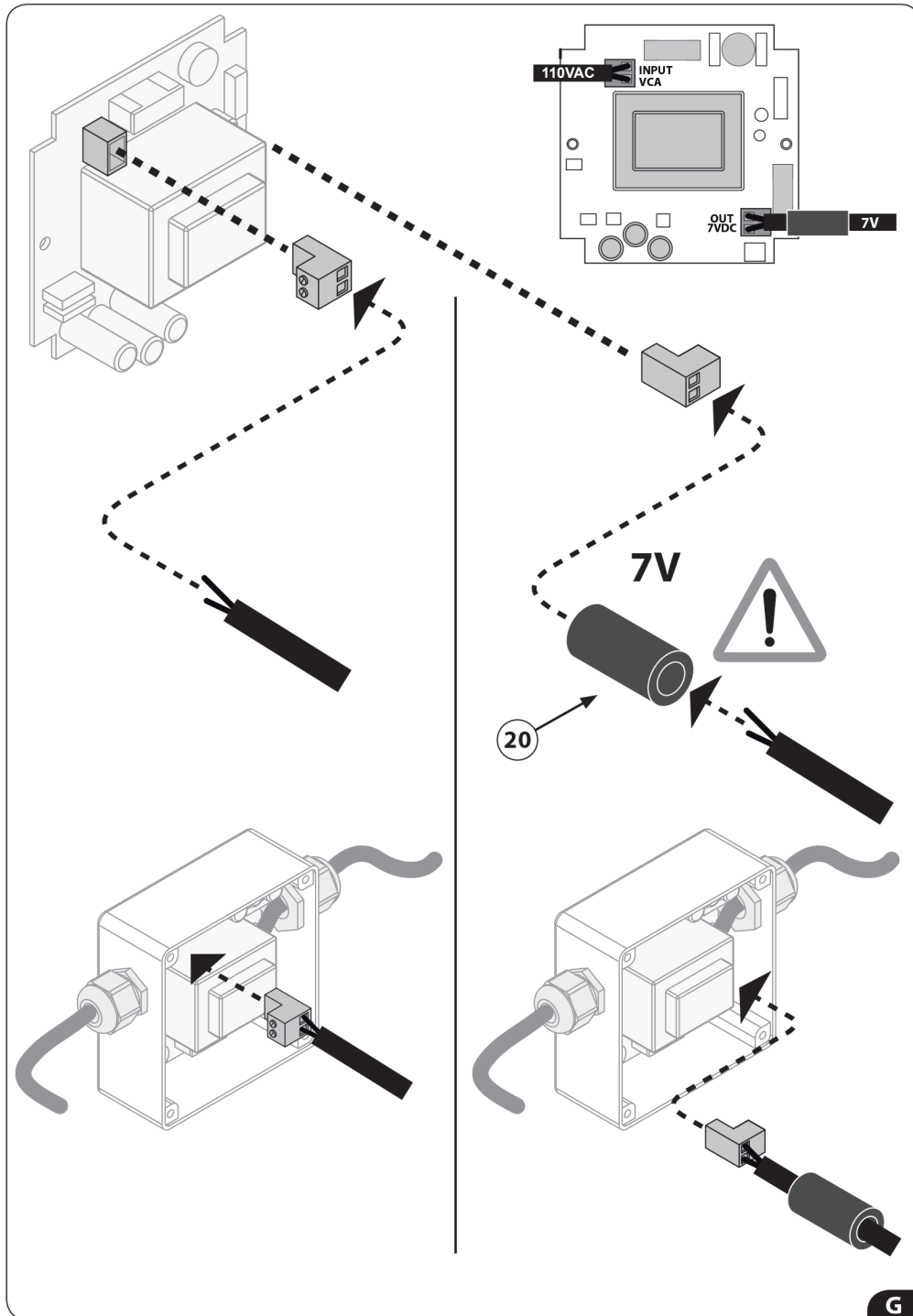
DREAM LIGHT RAIN CANOPY INSTALLATION



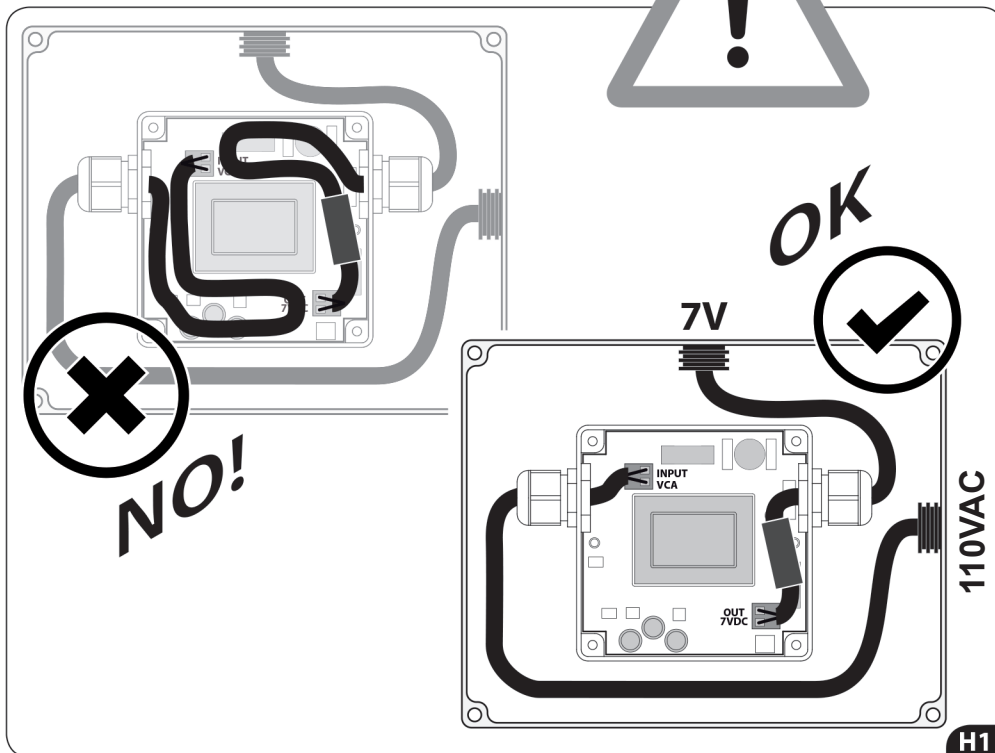
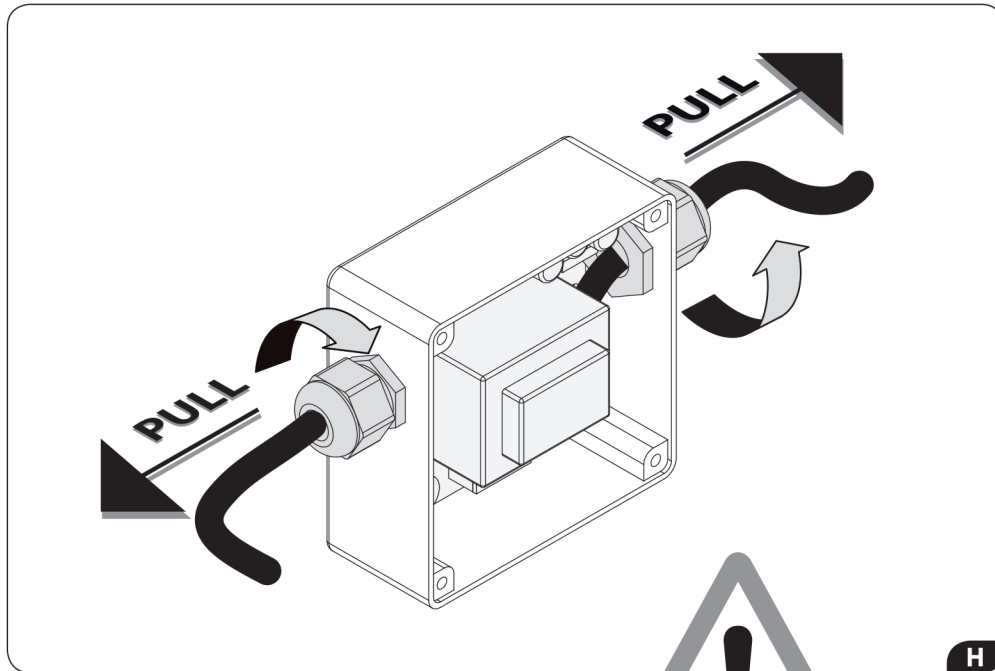
DREAM LIGHT RAIN CANOPY INSTALLATION



DREAM LIGHT RAIN CANOPY INSTALLATION

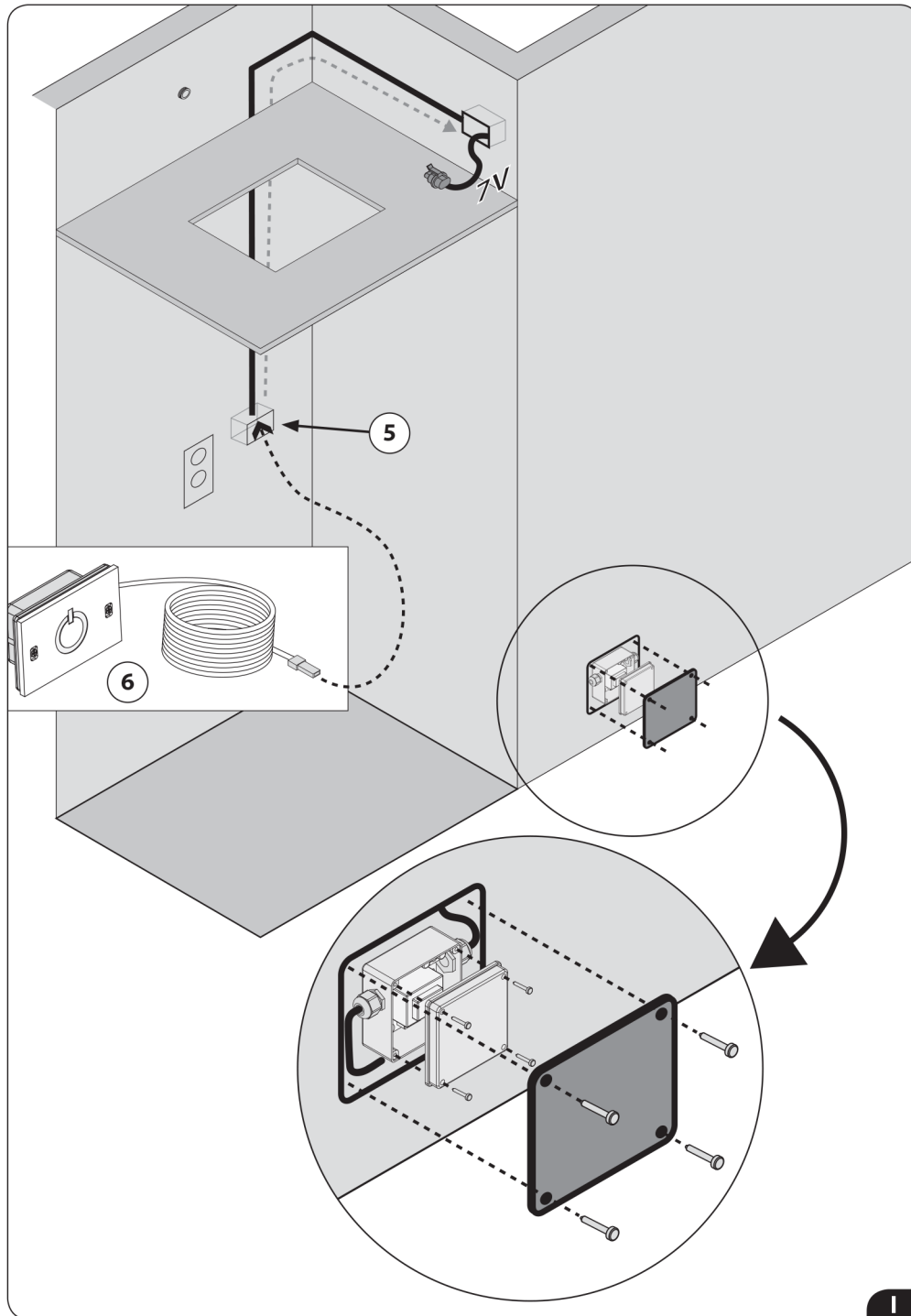


DREAM LIGHT RAIN CANOPY INSTALLATION



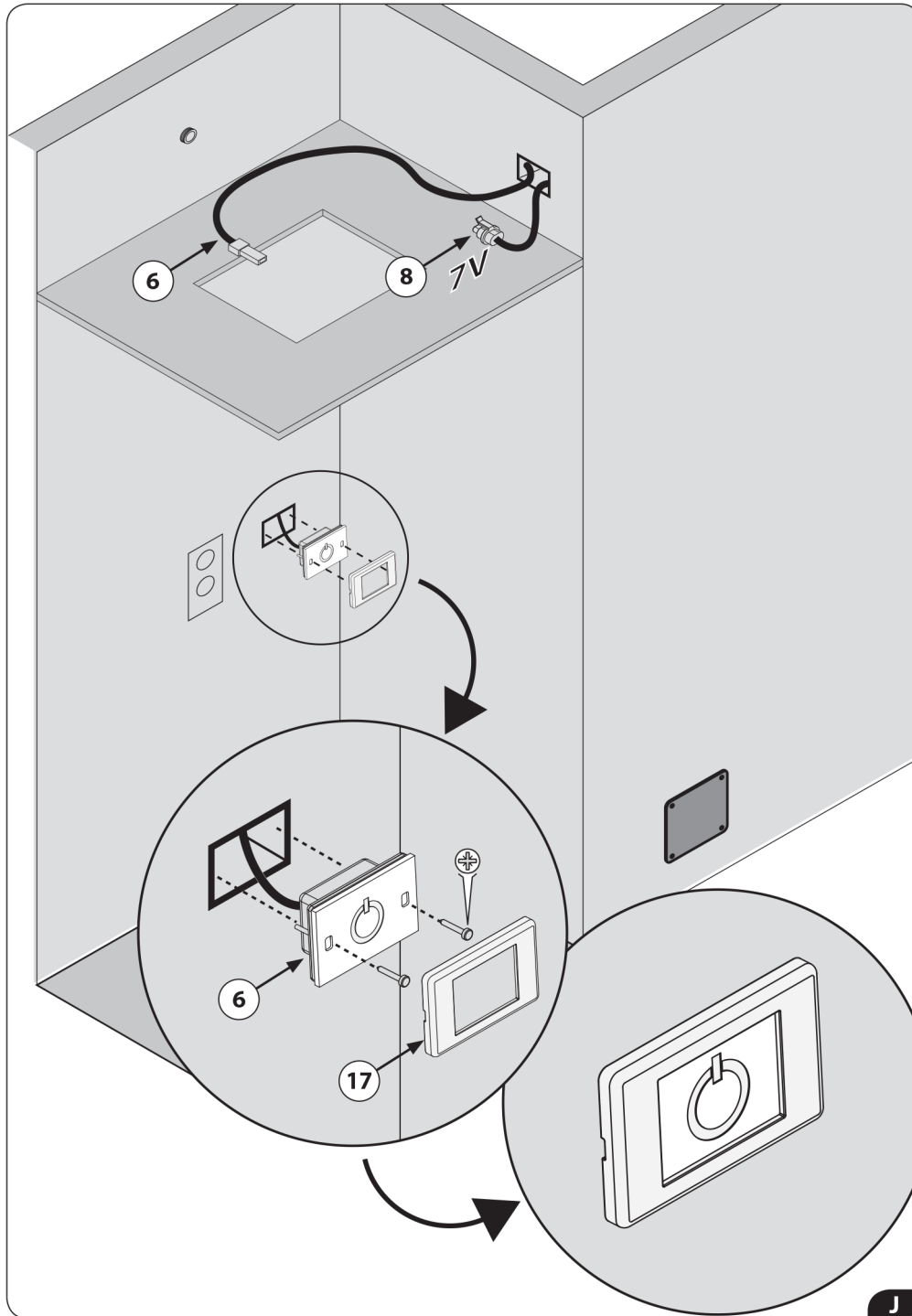
DREAM LIGHT RAIN CANOPY INSTALLATION

TOUCH PANEL OPTION INSTALL



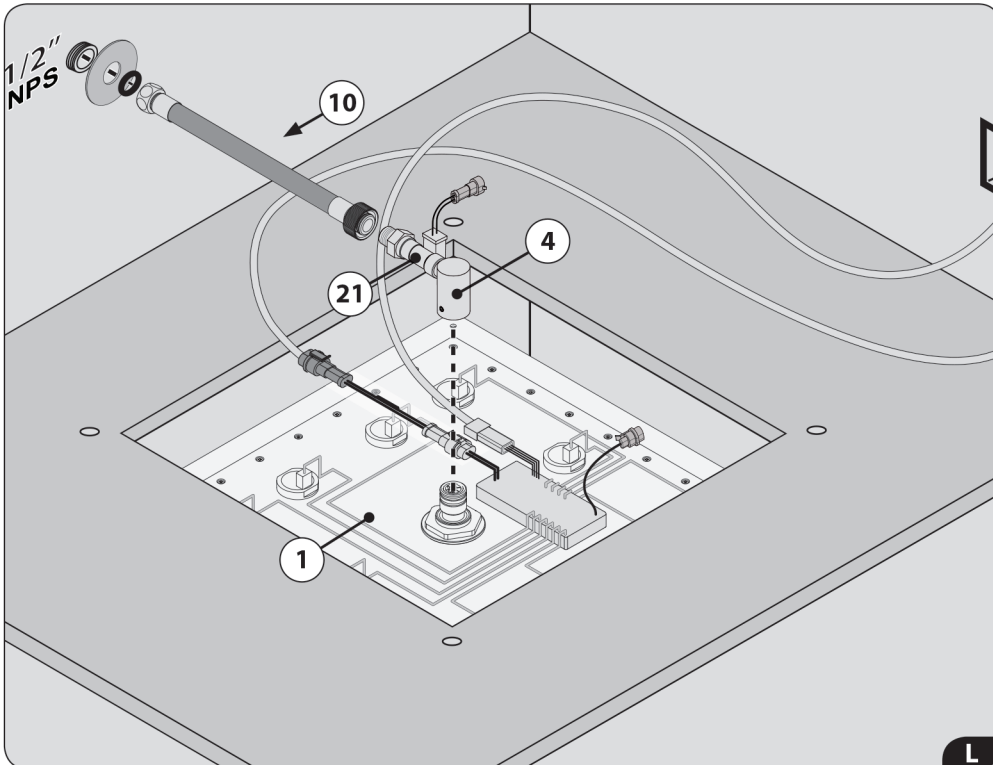
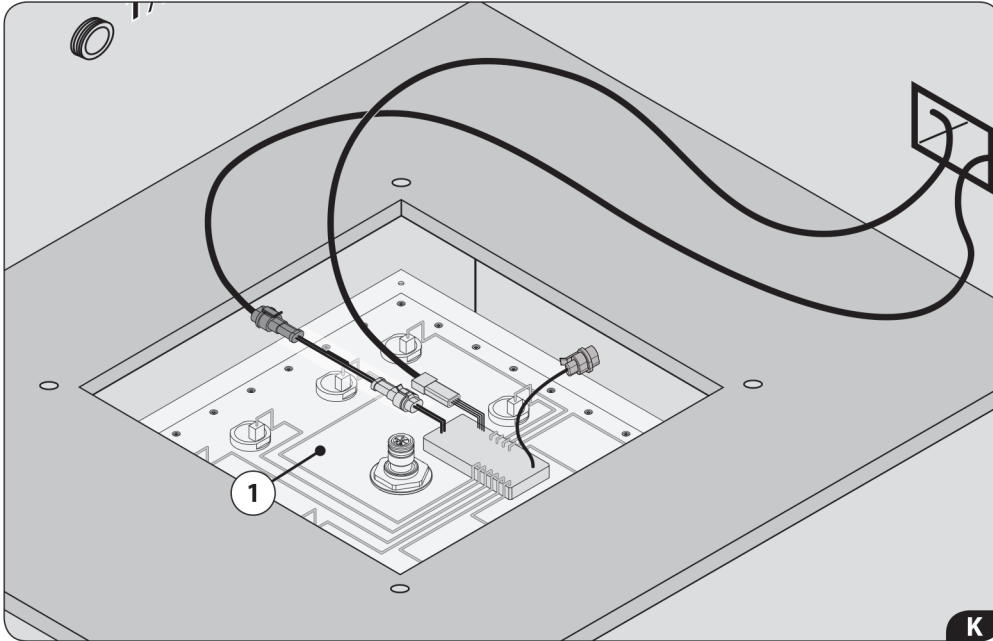
DREAM LIGHT RAIN CANOPY INSTALLATION

TOUCH PANEL OPTION INSTALL



DREAM LIGHT RAIN CANOPY INSTALLATION

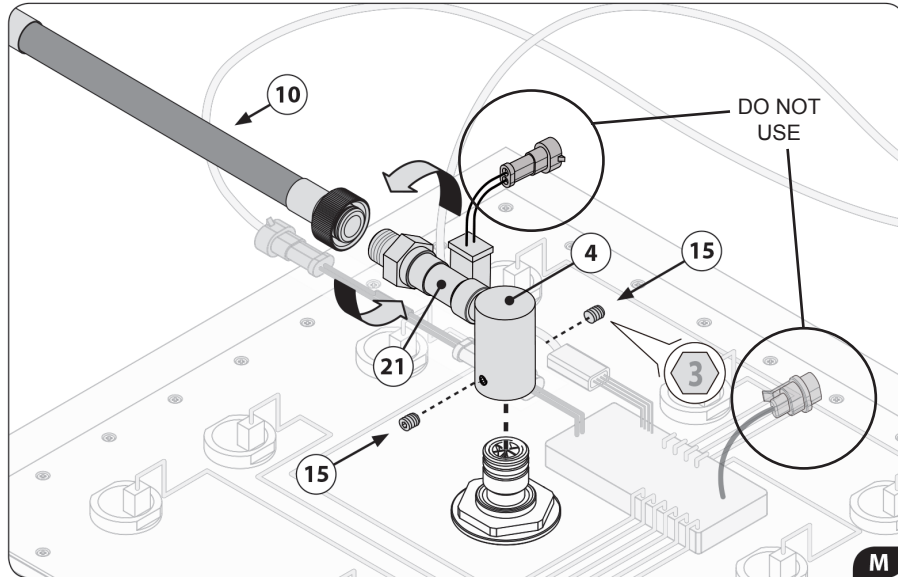
ELECTRICAL AND PLUMBING ASSEMBLY



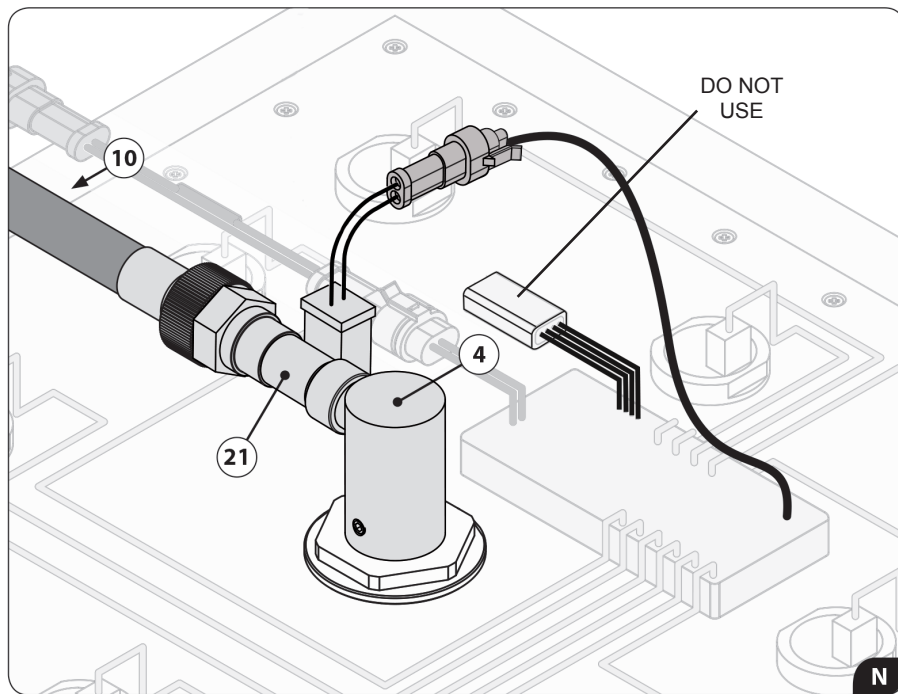
DREAM LIGHT RAIN CANOPY INSTALLATION

TOUCH PANEL OPTION / WATER FLOW SWITCH INSTALL

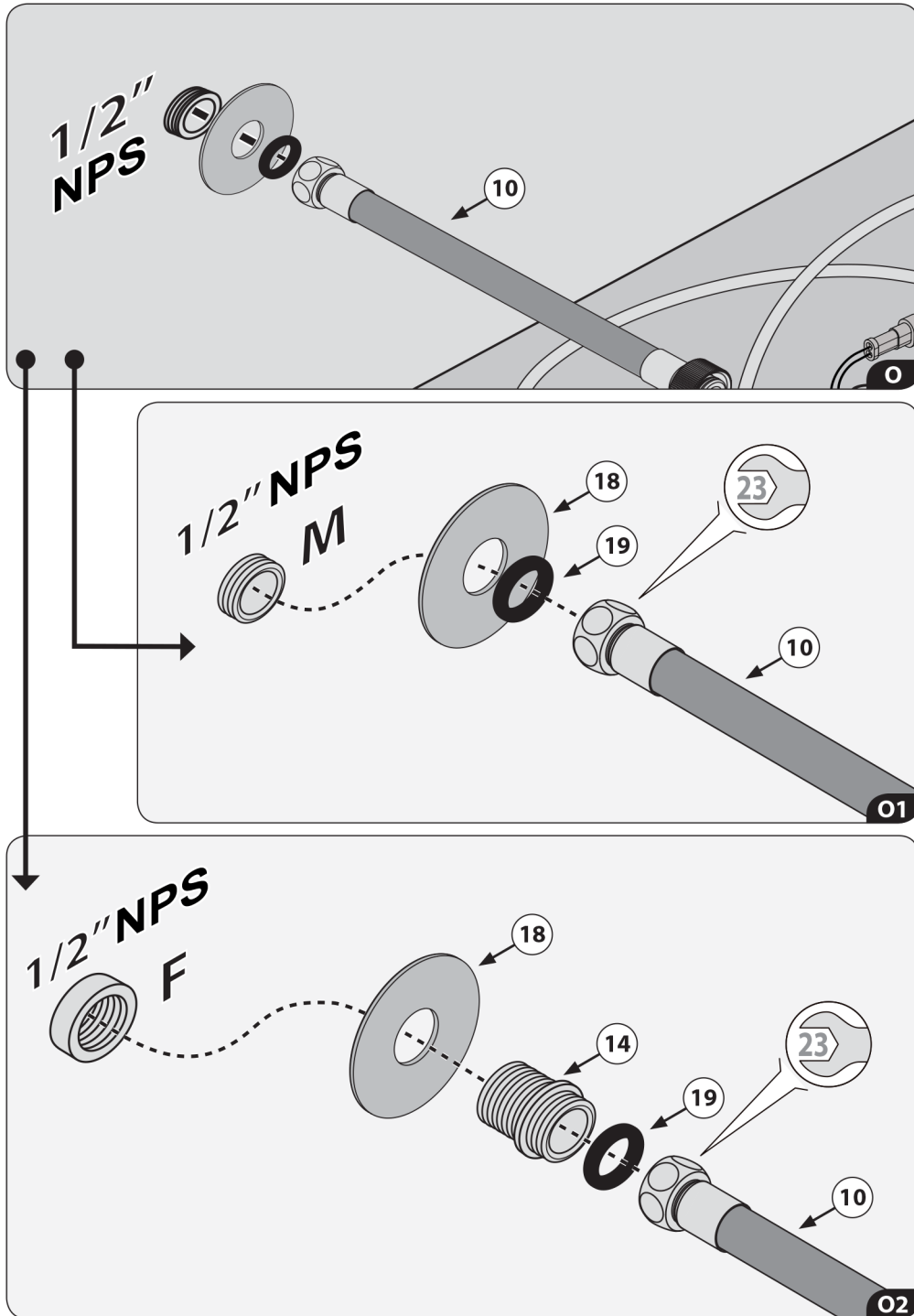
TOUCH PANEL OPTION



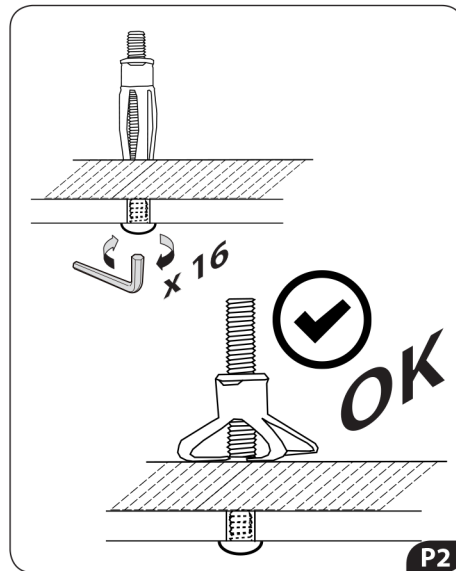
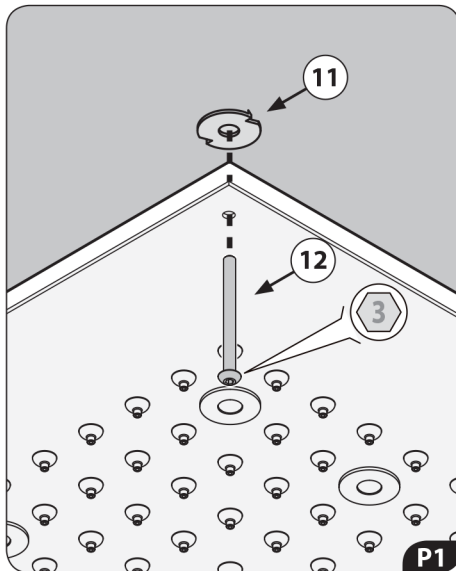
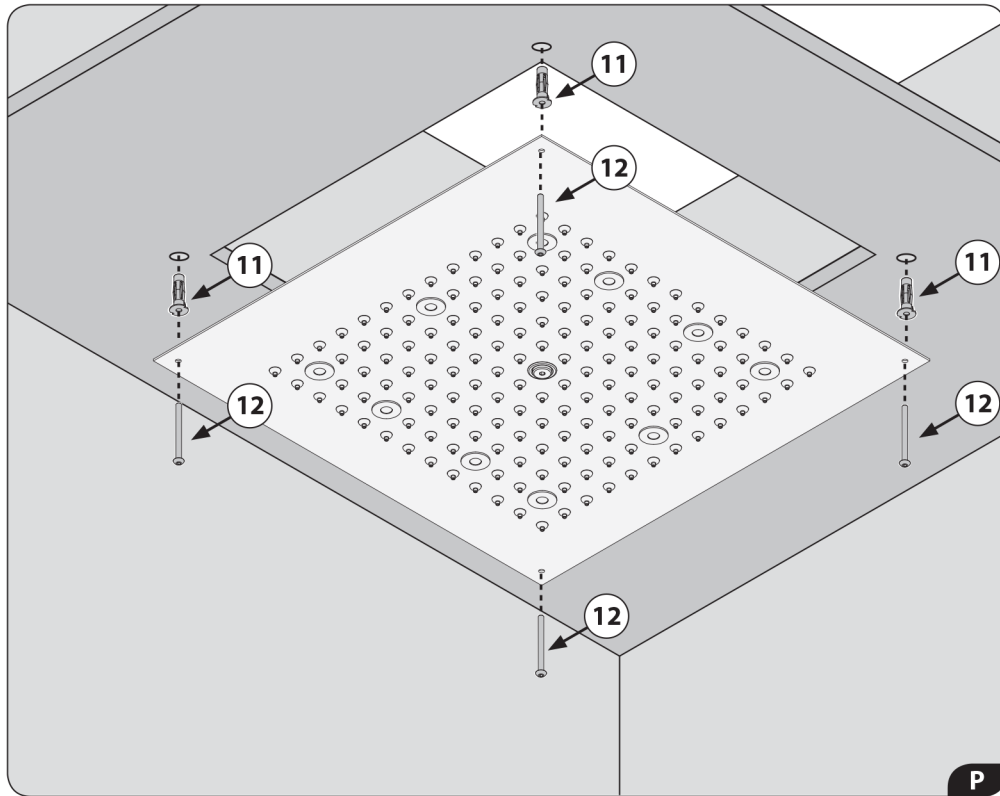
WATER FLOW SWITCH OPTION



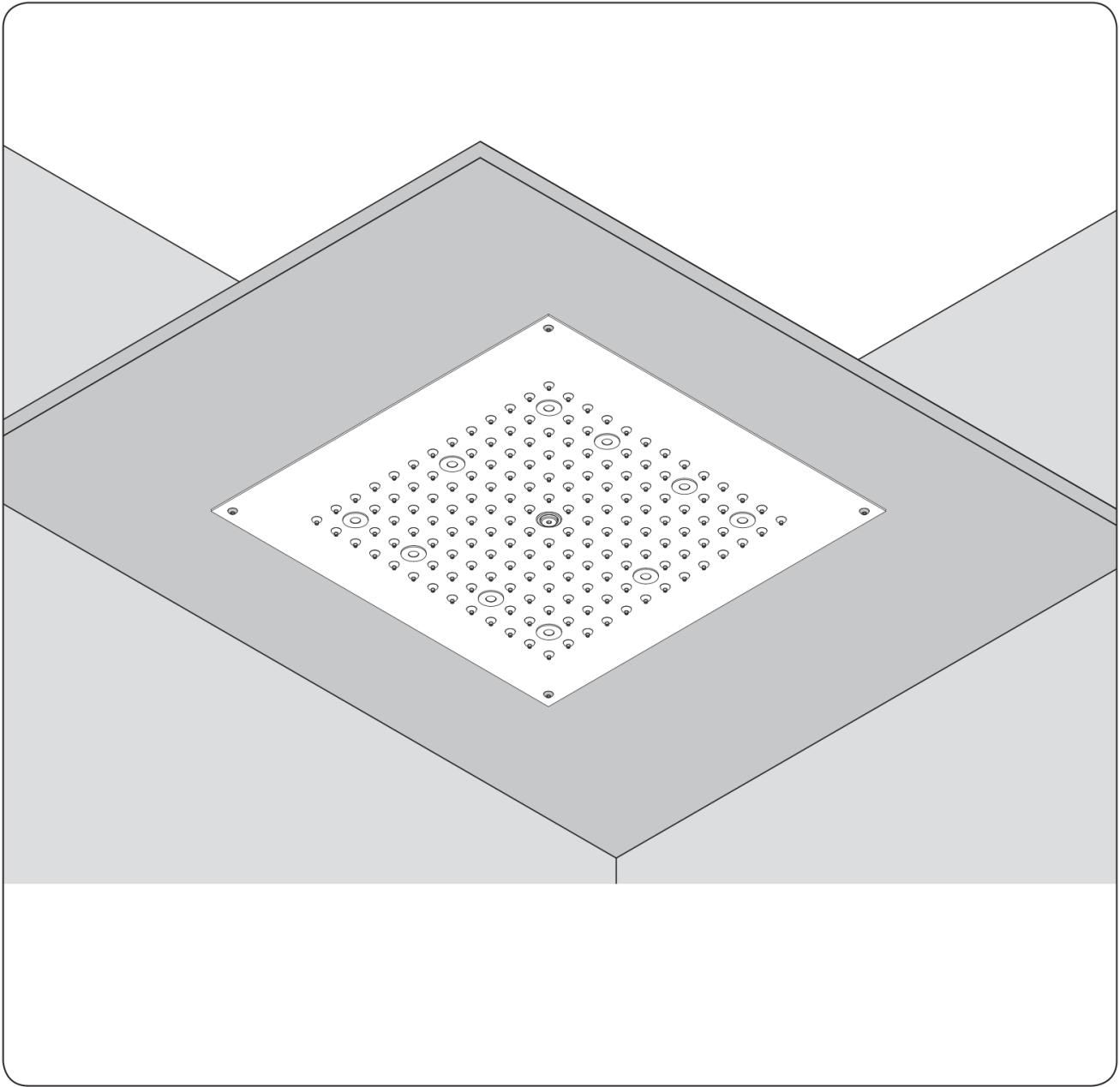
DREAM LIGHT RAIN CANOPY INSTALLATION



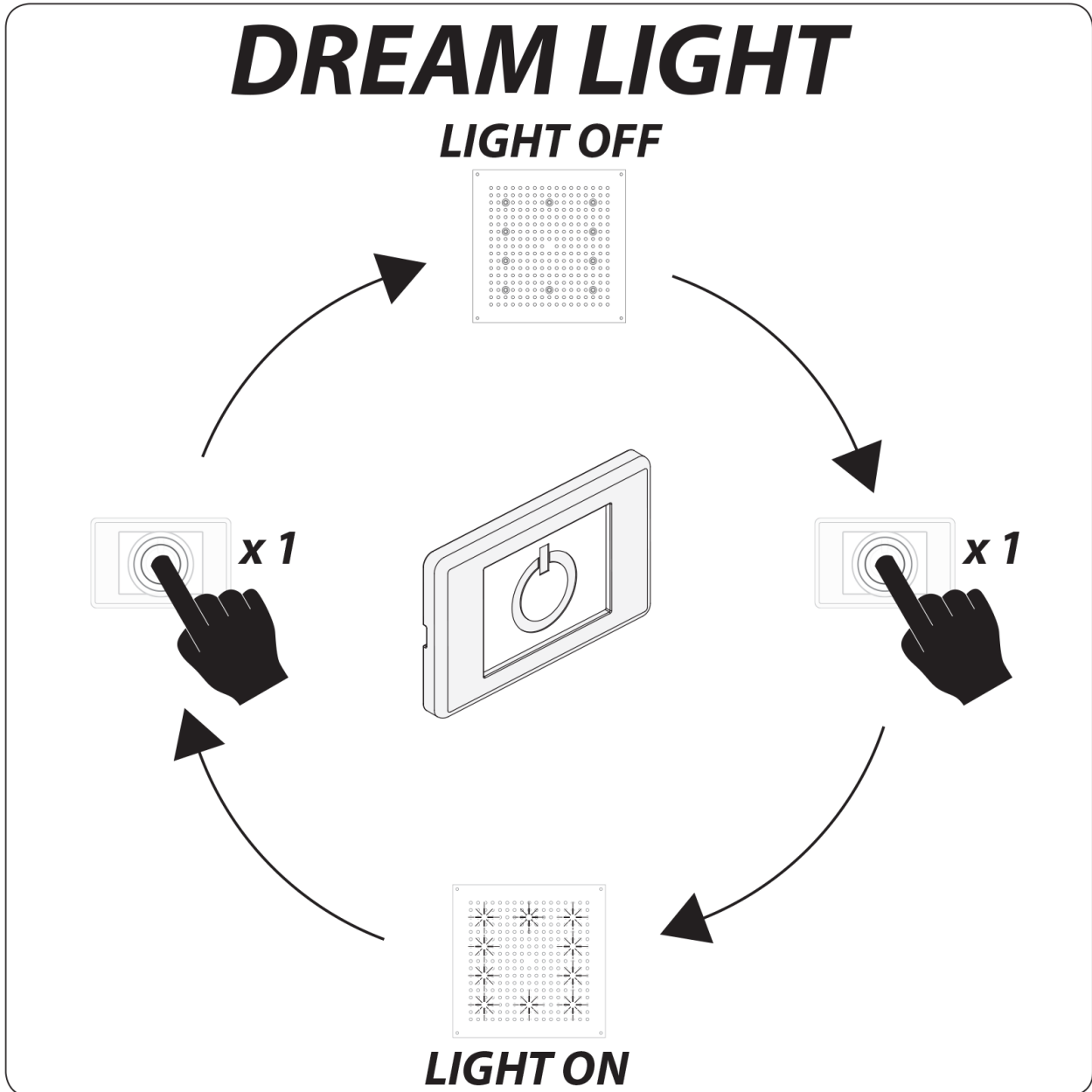
DREAM LIGHT RAIN CANOPY INSTALLATION



DREAM LIGHT RAIN CANOPY INSTALLATION

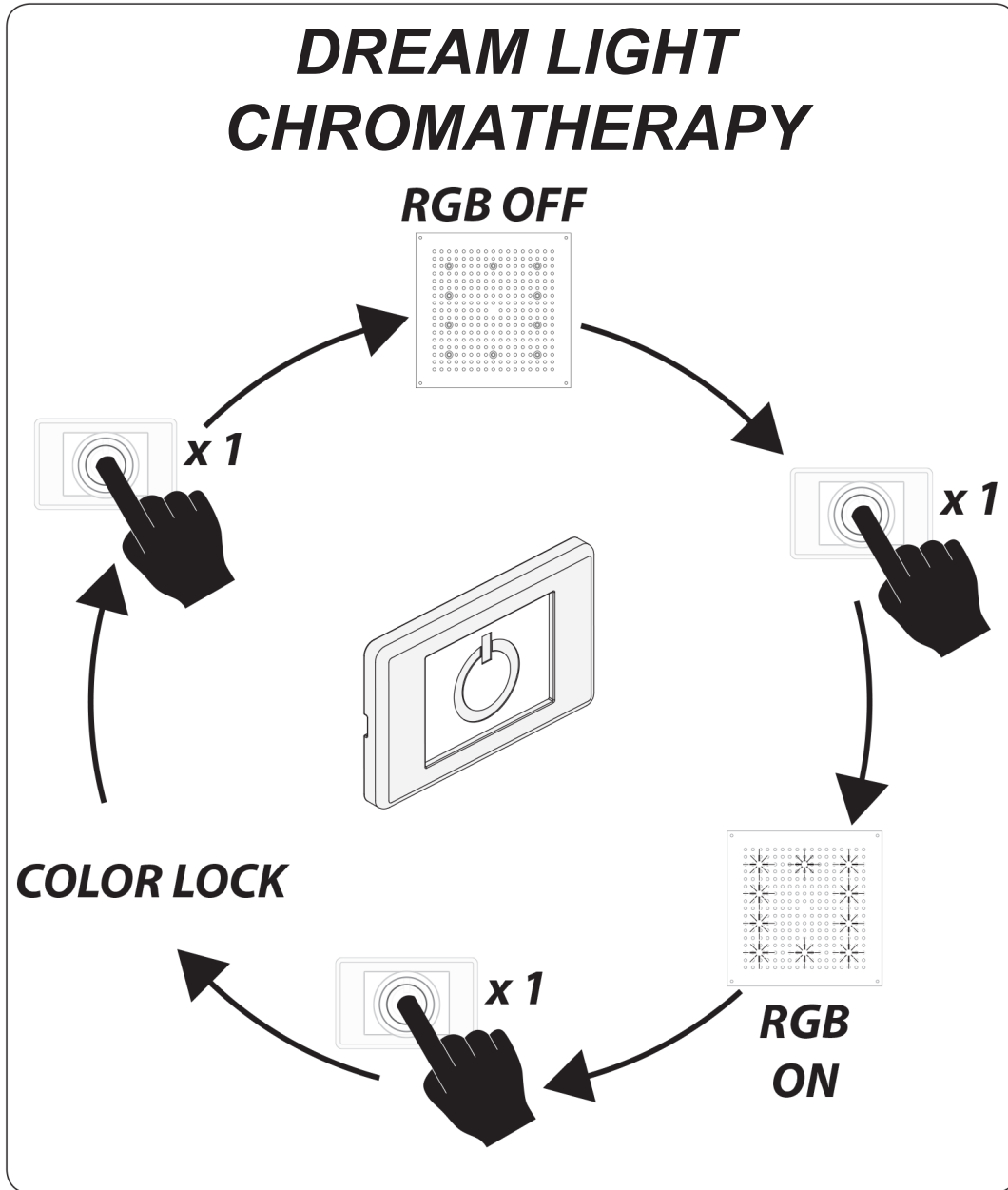


DREAM LIGHT RAIN CANOPY INSTALLATION
CONTROL KEYPAD OPERATION



If no commands are sent to the system, a time-out function automatically shuts the system off after approx. 30 minutes.

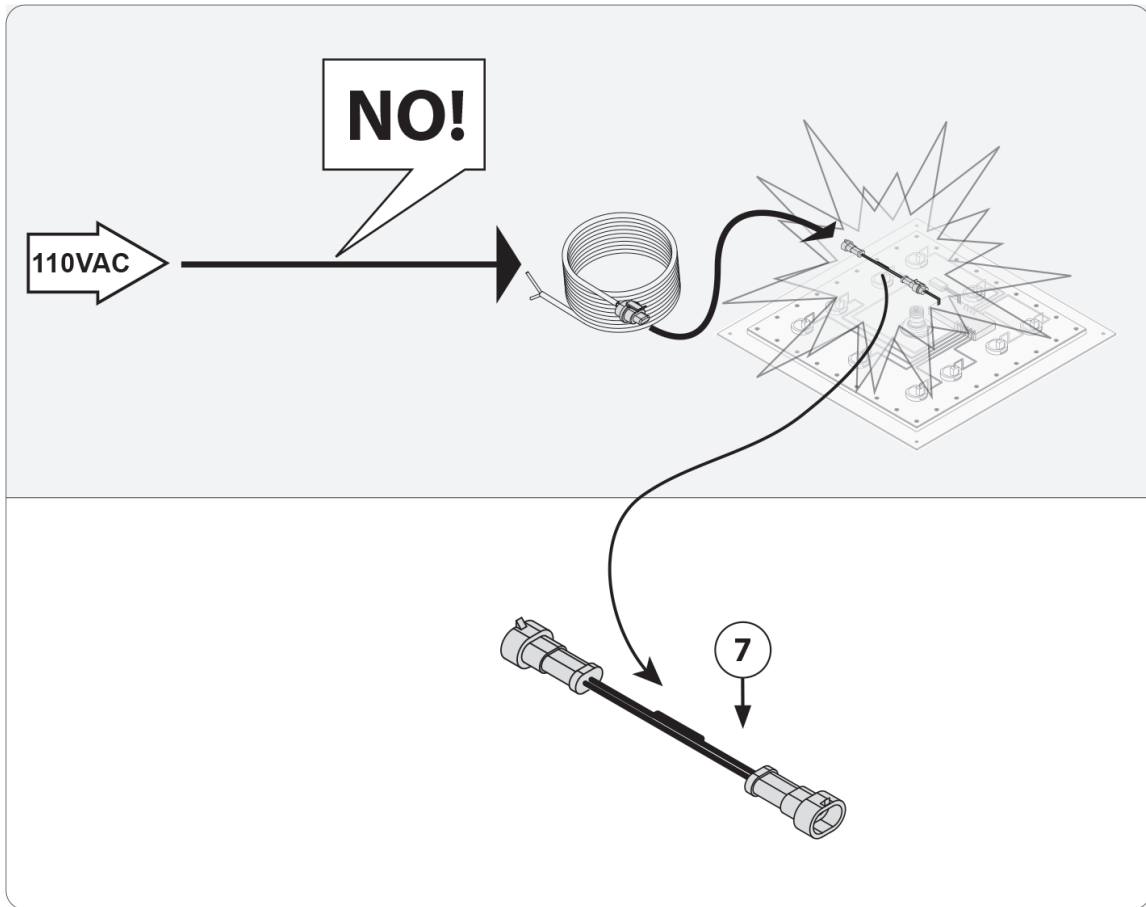
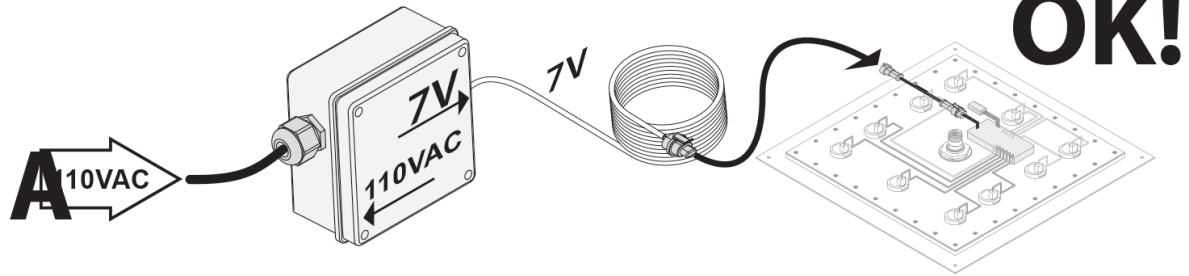
DREAM LIGHT RAIN CANOPY INSTALLATION
CONTROL KEYPAD OPERATION



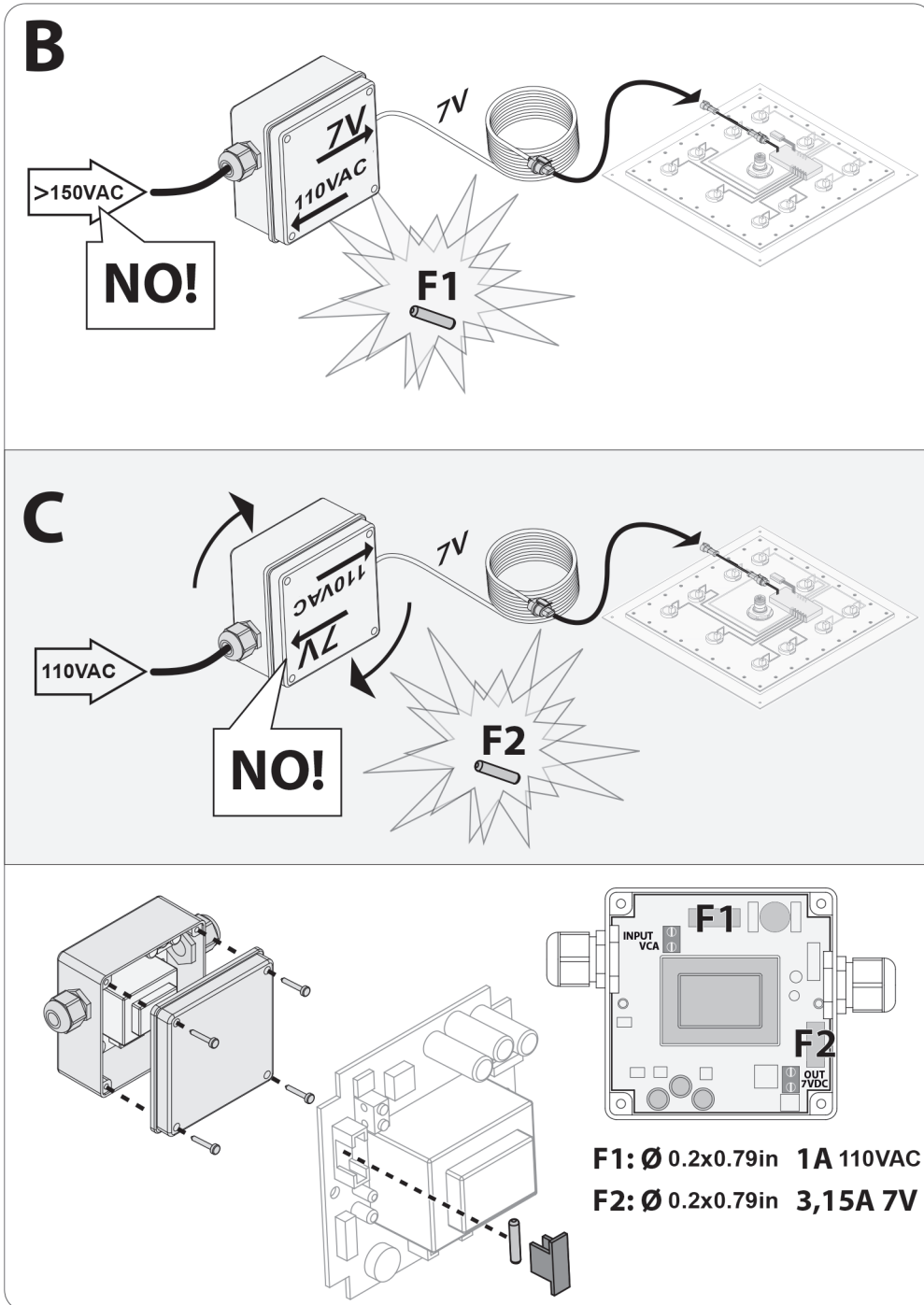
If no commands are sent to the system, a time-out function automatically shuts the system off after approx. 30 minutes.

DREAM LIGHT RAIN CANOPY INSTALLATION

In case of LEDs non-functioning check the installation and replace the fuses as illustrated

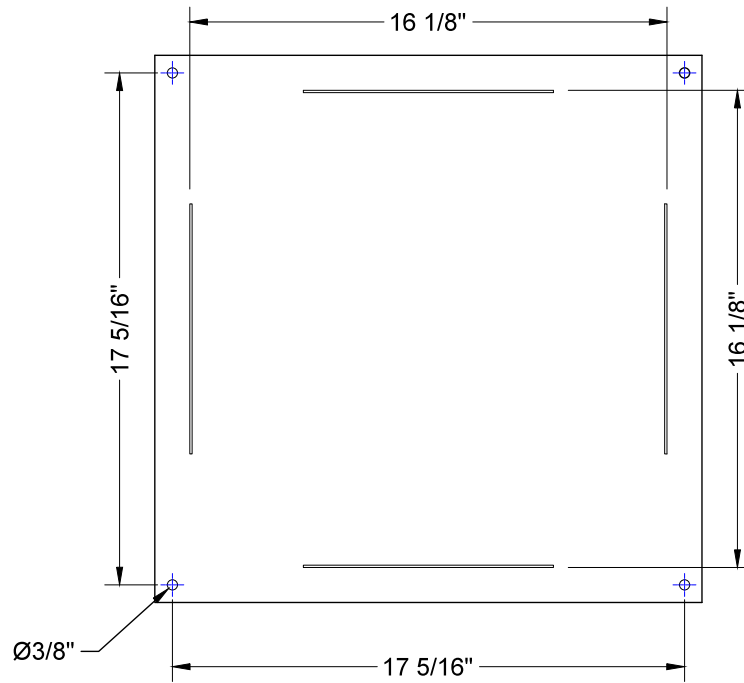


DREAM LIGHT RAIN CANOPY INSTALLATION

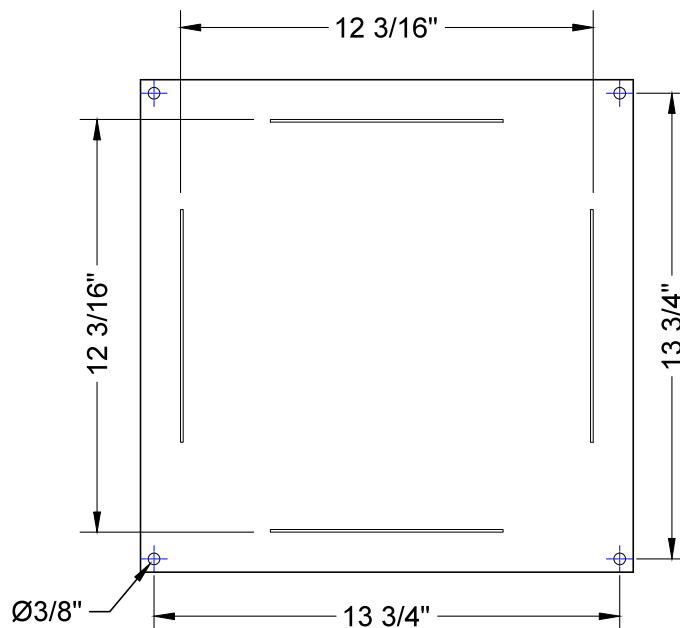


DREAM LIGHT RAIN CANOPY TEMPLATES

TEMPLATE FOR 1616-DLRC, & 1616-DLCT

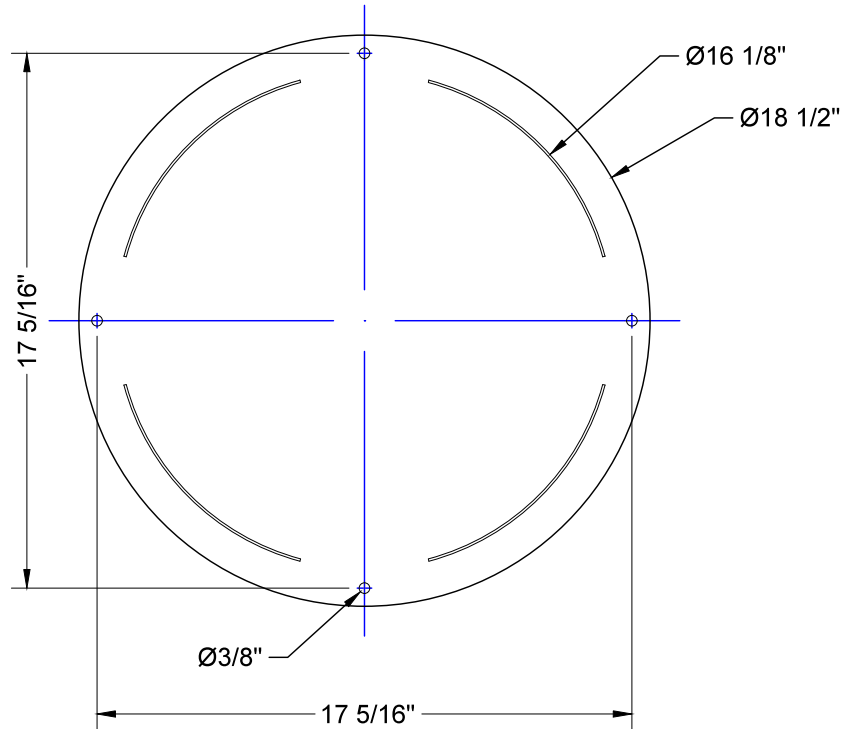


TEMPLATE FOR 1212-DLRC, & 1212-DLCT

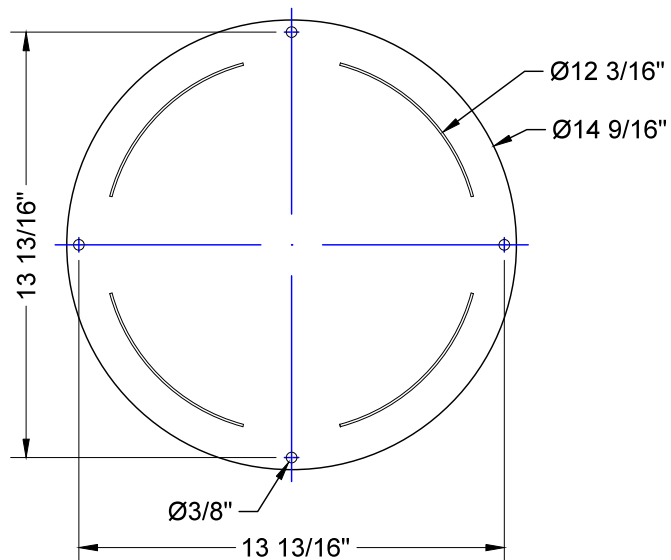


DREAM LIGHT RAIN CANOPY TEMPLATES

TEMPLATE FOR 16R-DLRC, & 16R-DLCT

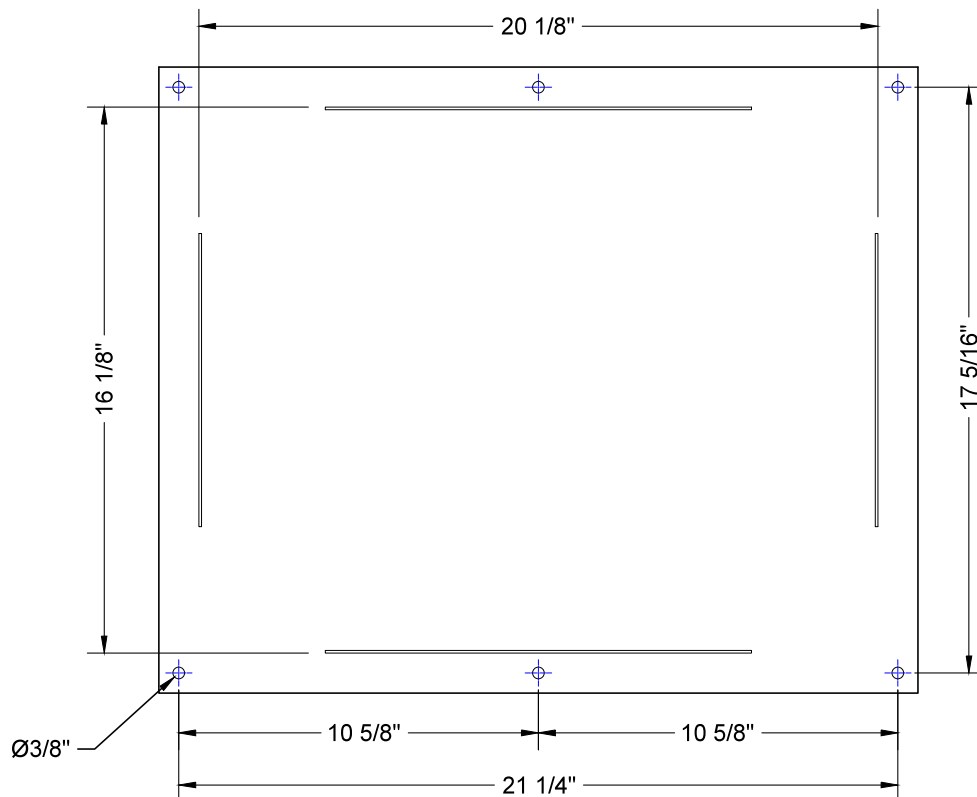


TEMPLATE FOR 12R-DLRC, & 12R-DLCT



DREAM LIGHT RAIN CANOPY TEMPLATES

TEMPLATE FOR 1620-DLRC, & 1620-DLCT



To learn more about JACLO's warranty, please visit [**jaclo.com**](http://jaclo.com)