

# INSTALLATION INSTRUCTIONS

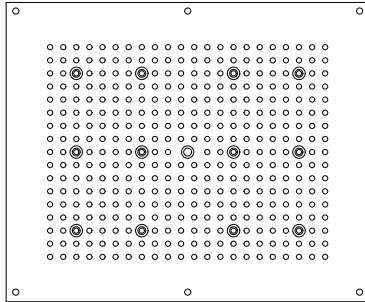
## DREAM LIGHT RAIN CANOPY

Part #'s: 1620-DLRC, 1616-DLRC, 1212-DLRC, 16R-DLRC, 12R-DLRC  
1620-DLCT, 1616-DLCT, 1212-DLCT, 16R-DLCT, 12R-DLCT  
88-DLCT, 88-DLRC, 8R-DLCT, 8R-DLRC

# JACLO®

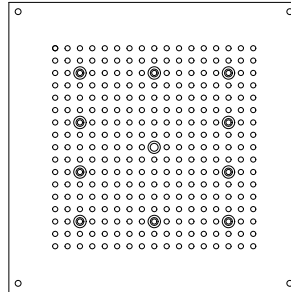
Confidence from start to finish.™

## DREAM LIGHT



### 1620-DLRC

RETTANGO  
18.5" x 23" - 12 LED



### 1616-DLRC

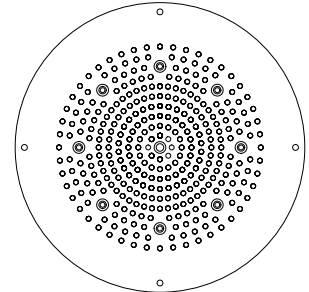
QUADRATO  
18.5" x 18.5" - 10 LED

### 1212-DLRC

QUADRATO  
14.5" x 14.5" - 4 LED

### 88-DLRC

QUADRATO  
10.5" x 10.5" - 4 LED



### 16R-DLRC

CIRCOLARE  
18.5" Diameter - 8 LED

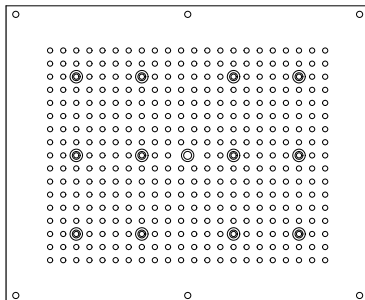
### 12R-DLRC

CIRCOLARE  
14.5" - 4 LED

### 8R-DLRC

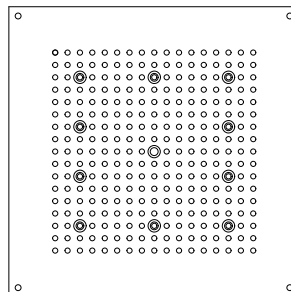
CIRCOLARE  
10.5" - 4 LED

## DREAM LIGHT CHROMATHERAPY



### 1620-DLCT

RETTANGO  
18.5" x 23" - 12 LED



### 1616-DLCT

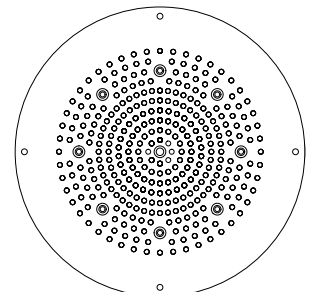
QUADRATO  
18.5" x 18.5" - 10 LED

### 1212-DLCT

QUADRATO  
14.5" x 14.5" - 4 LED

### 88-DLRC

QUADRATO  
10.5" x 10.5" - 4 LED



### 16R-DLCT

CIRCOLARE  
18.5" Diameter - 8 LED

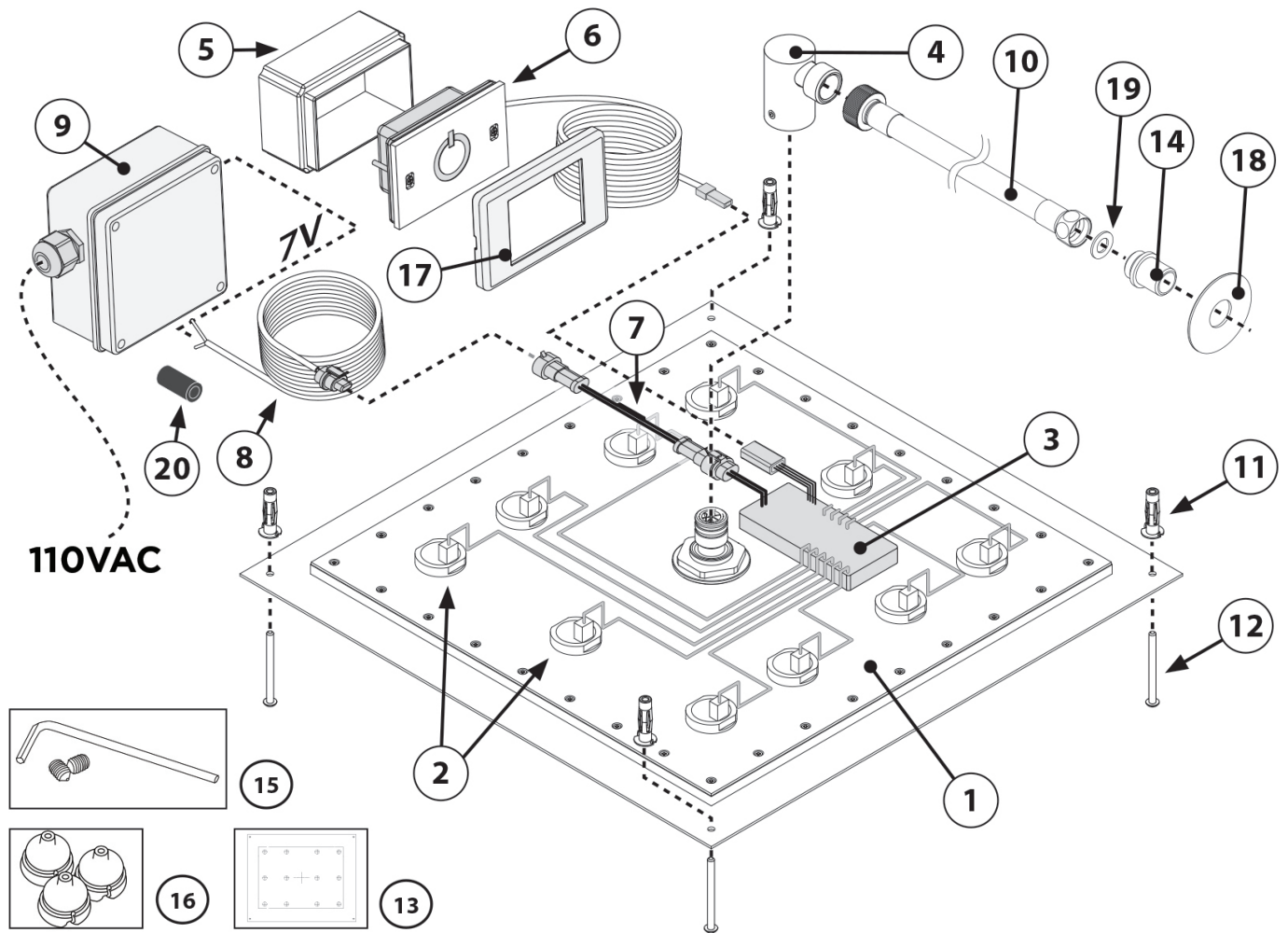
### 12R-DLCT

CIRCOLARE  
14.5" - 4 LED

### 8R-DLRC

CIRCOLARE  
10.5" - 4 LED

## DREAM LIGHT COMPONENTS




01	Stainless steel shower head
02	LED
03	IP66/IP67 electronic board
04	Quick coupling connector to shower head
05	Recessed enclosure
06	Control keypad with 3m cable (other lengths available on request)
07	Connector with fuse
08	7V connection cable-5m long (other lengths available on request)
09	Power supply unit
10	Flexible hose 100cm 1/2" F X 1/2" F

11	False-ceiling plugs
12	Screws
13	Template
14	Adaptor Connection 1/2" M X 1/2" M
15	Hex key grub screws
16	Rubber nozzles (spare)
17	Chrome plate
18	Rosette
19	Seal
20	Electromagnetic filter

## TECHNICAL FEATURES

PRODUCT	LEDs	FLOW RATES (gal/min)	PRODUCT WEIGHT (lbs.)	PRODUCT WEIGHT WITH WATER (lbs.)
1620-DLRC/ DLCT RETTANGO	12	4.23	23.15	25.46
1616-DLRC/ DLCT QUADRATO	10	4.23	18	20.61
1212-DLRC/ DLCT QUADRATO	4	3.70	15	17
16R-DLRC/ DLCT CIRCOLARE	8	4.23	15	17
12R-DLRC/ DLCT CIRCOLARE	4	3.70	10.58	11.68
8R-DLRC/ DLCT CIRCOLARE	4	2.37	5	6
88-DLRC/ DLCT QUADRATO	4	2.37	12	14

## ELECTRICAL EQUIPMENT *Technical specifications*

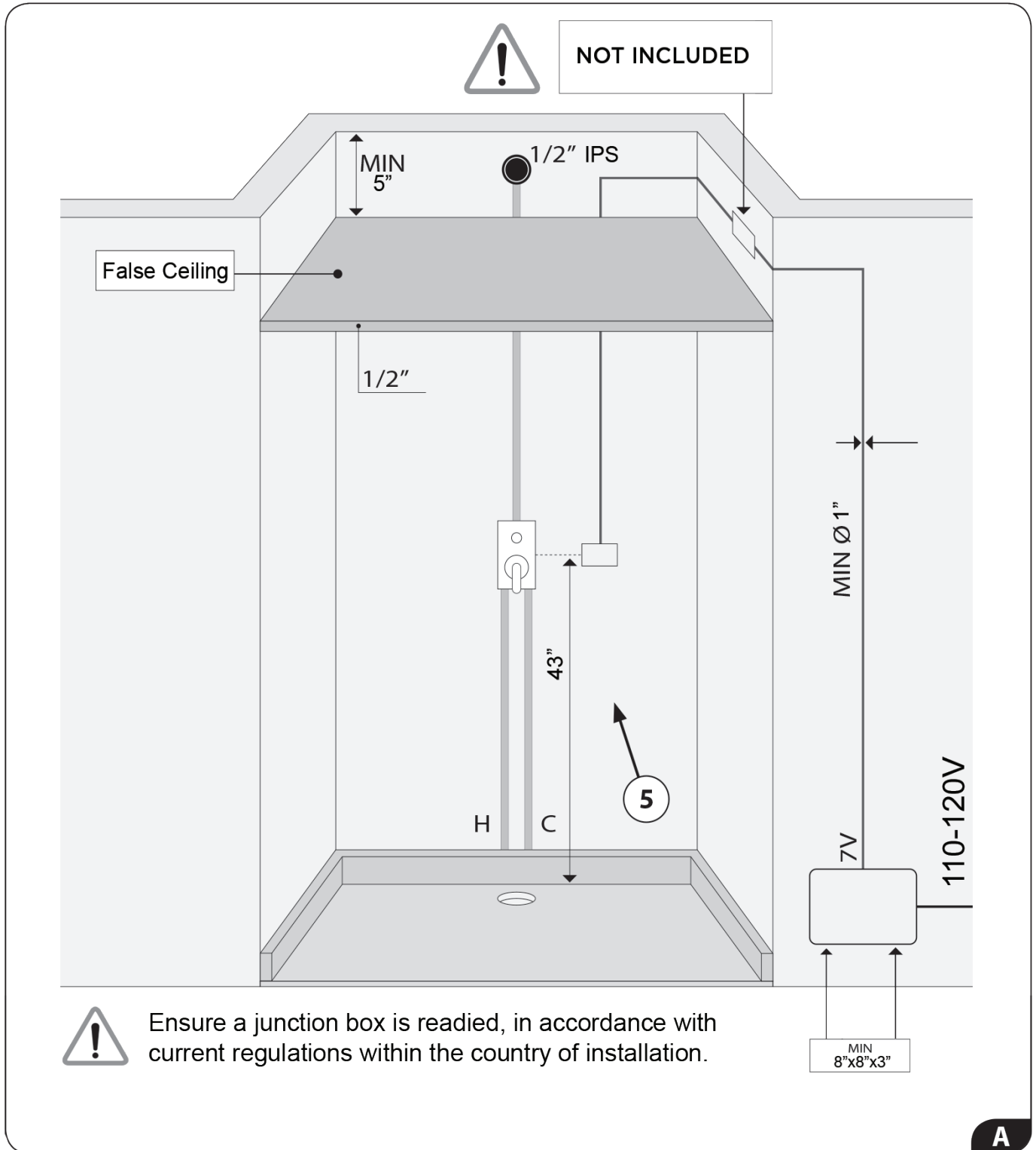
<i>Electric connection</i>	110VAC ~ 50-60 Hz - max 20w class of protection II
<i>Electric cable (supplied by customer)</i>	 External cable diameter: max 8.5mm
<i>1620-DLRC/DLCT RECTANGO</i>	12 low voltage LEDs
<i>1616-DLRC/DLCT QUADRATO</i>	4 low voltage LEDs
<i>1212-DLRC/DLCT QUADRATO</i>	10 low voltage LEDs
<i>16R-DLRC/DLCT CIRCOLARE</i>	4 low voltage LEDs
<i>12R-DLRC/DLCT CIRCOLARE</i>	8 low voltage LEDs
<i>8R-DLRC/DLCT CIRCOLARE</i>	4 low voltage LEDs
<i>88-DLRC/DLCT QUADRATO</i>	4 low voltage LEDs
<i>Safety Transformer</i>	110VAC ~ / 7V= 50-60 Hz to be installed outside the safety area (in compliance with standard DIN VDE 0100, part 107 - according to prescription CEI 64/8)
<i>Grade of protection</i>	IP67
<i>Safety mark</i>	CE

*The electrical systems must be carried out by a qualified technician in accordance with the national and international laws in force. If no commands are sent to the system, a time-out function automatically shuts the system off after approx. 30 minutes.*

*Power should run through the wiring with the aid of a residual-current device (RCD) possessing a working residual current no higher than 30mA.*

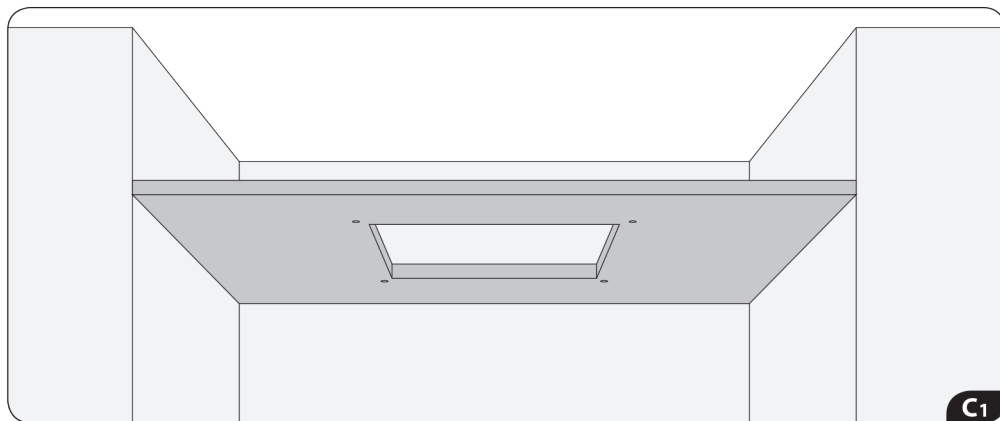
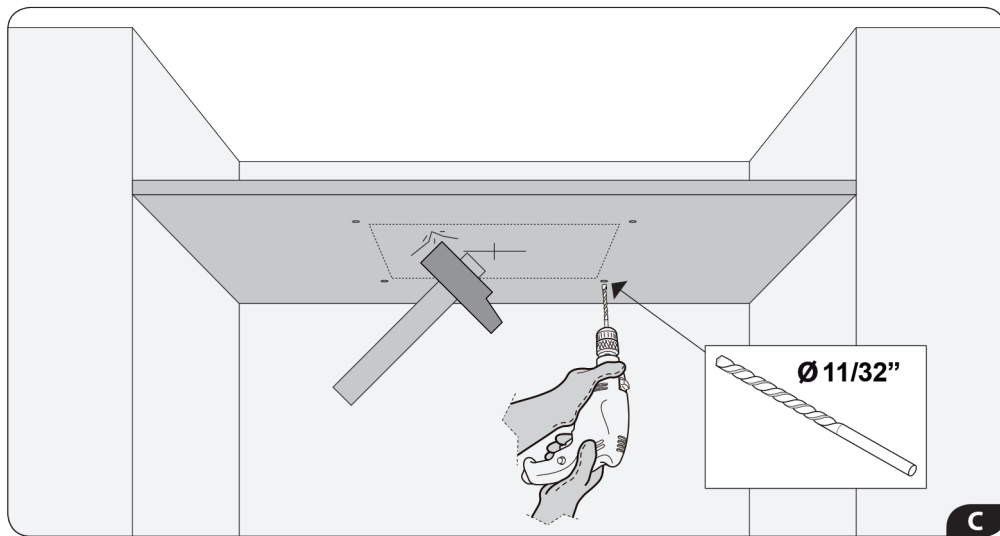
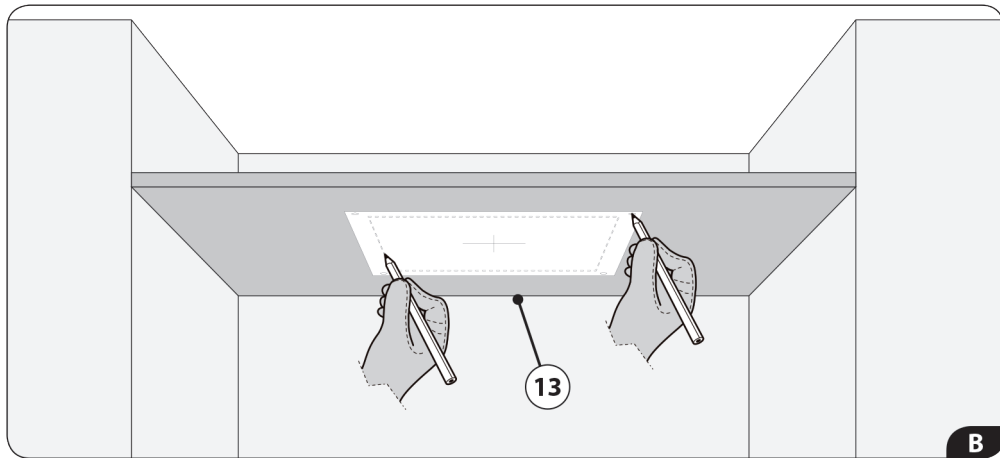
# DREAM LIGHT RAIN CANOPY INSTALLATION

## RECOMMENDED SET-UP

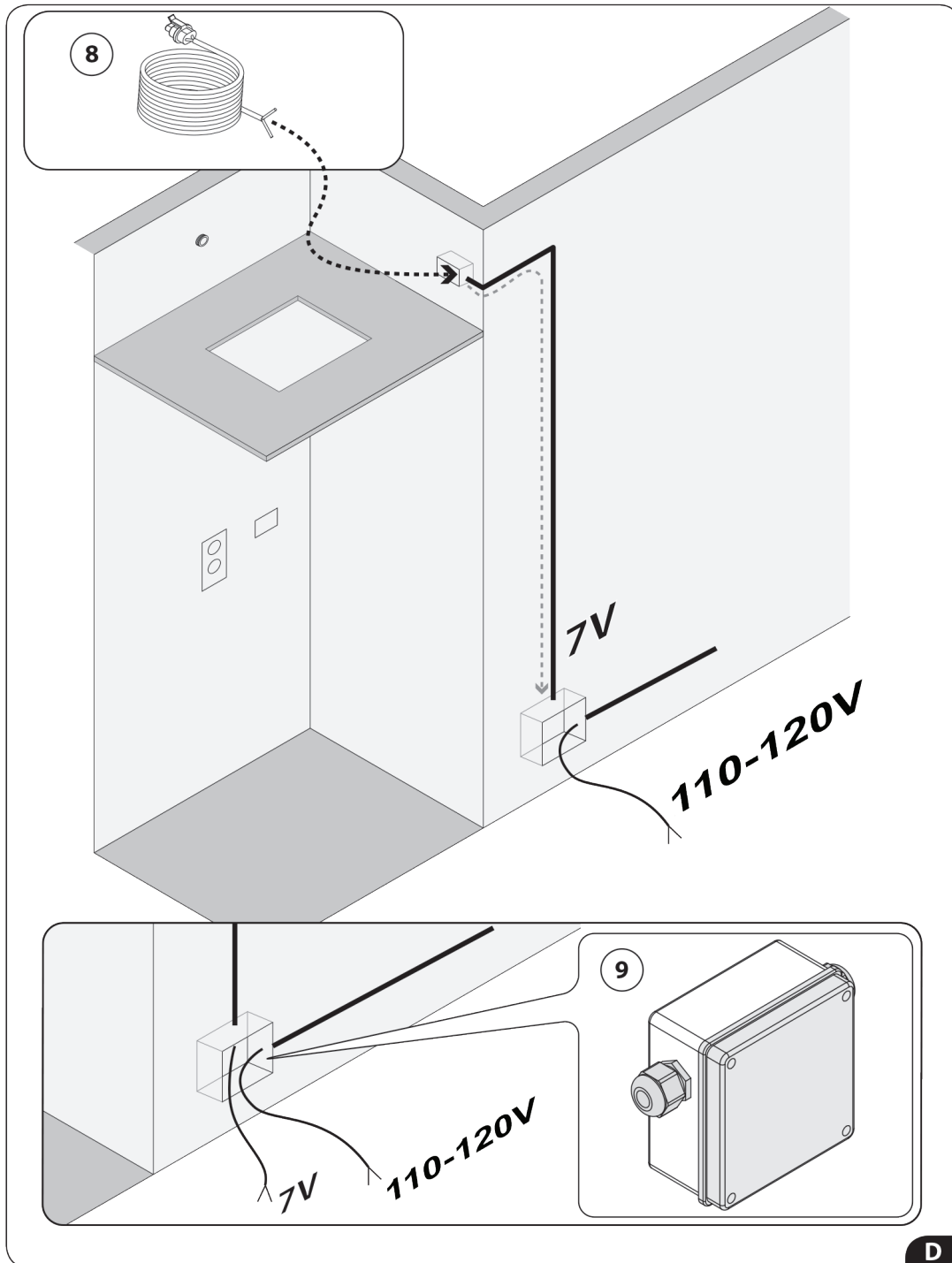


# DREAM LIGHT RAIN CANOPY INSTALLATION

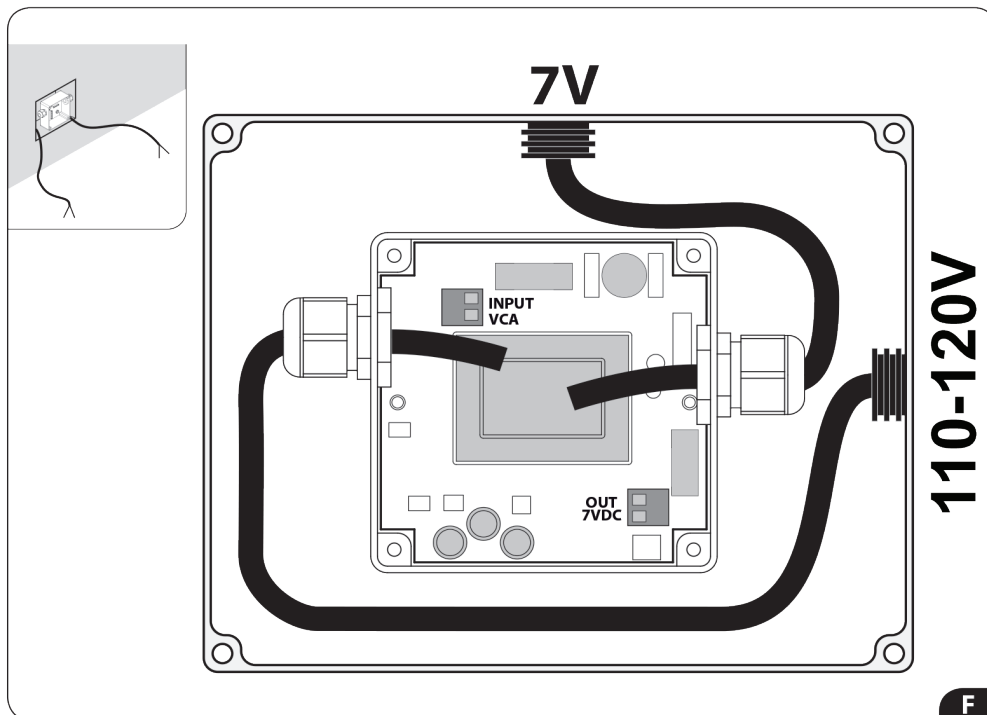
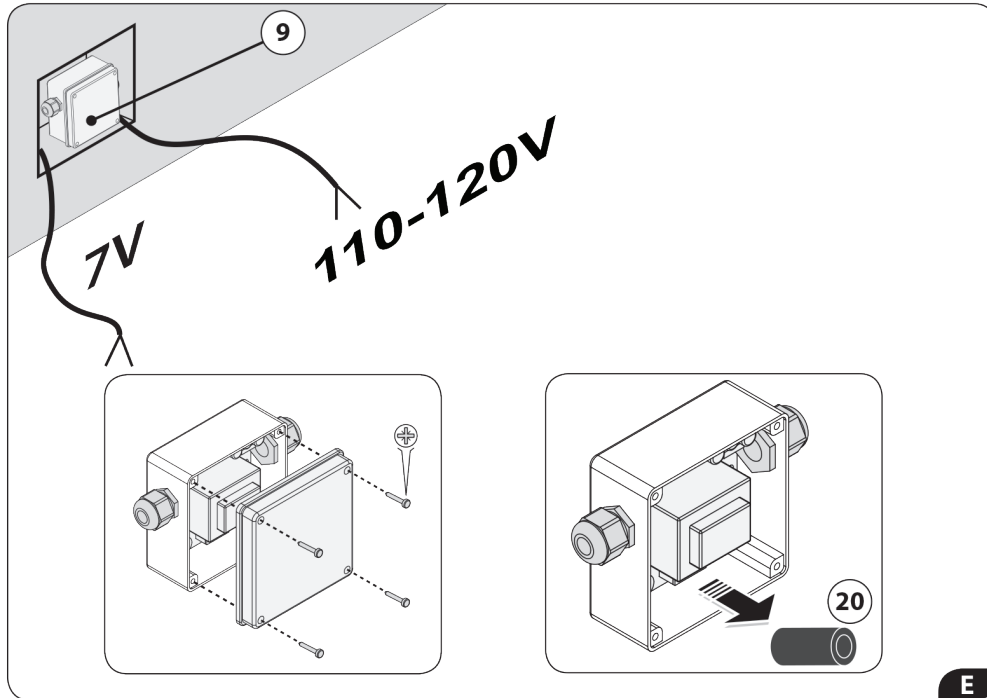
## RECOMMENDED SET-UP



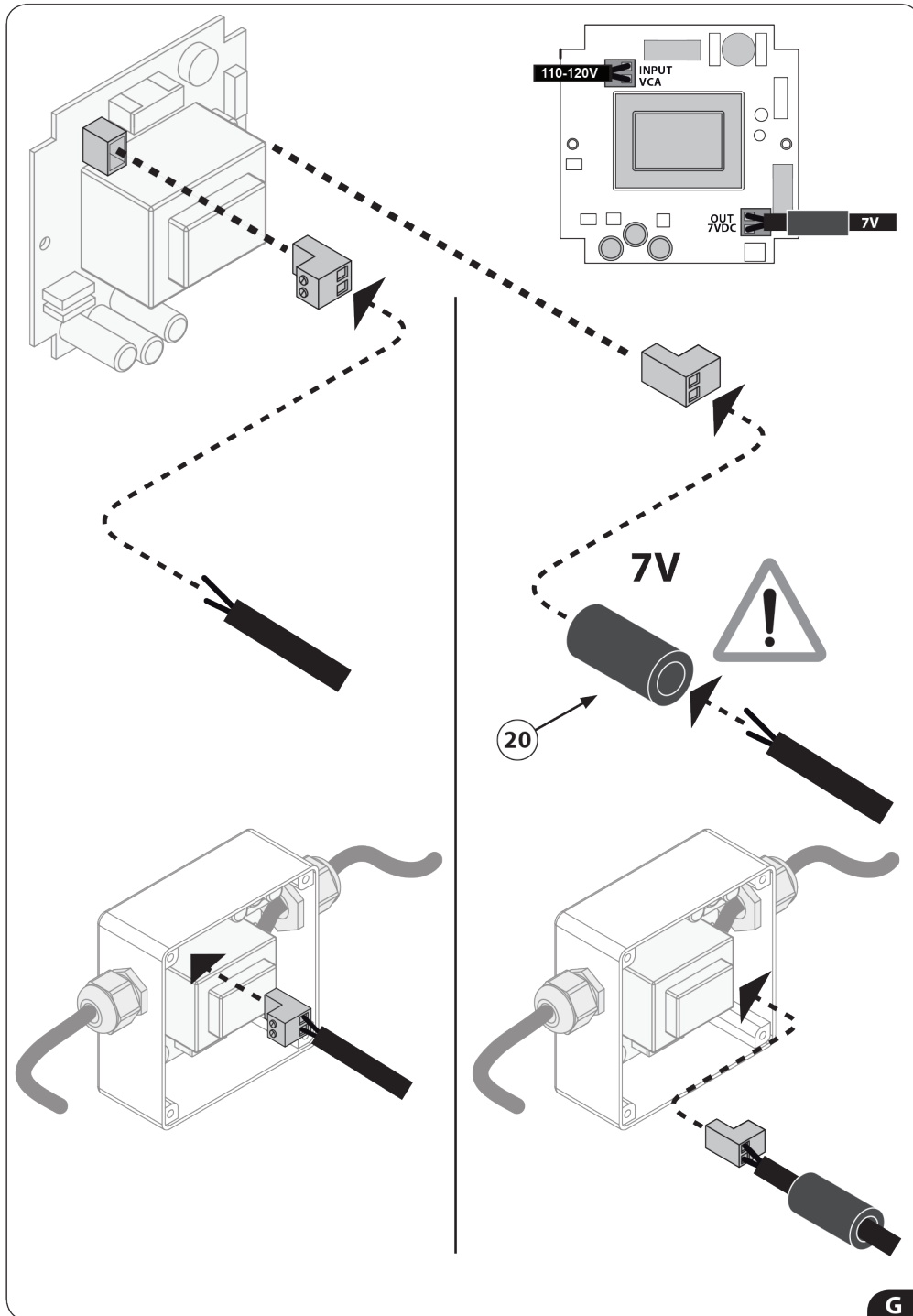
# DREAM LIGHT RAIN CANOPY INSTALLATION



# DREAM LIGHT RAIN CANOPY INSTALLATION

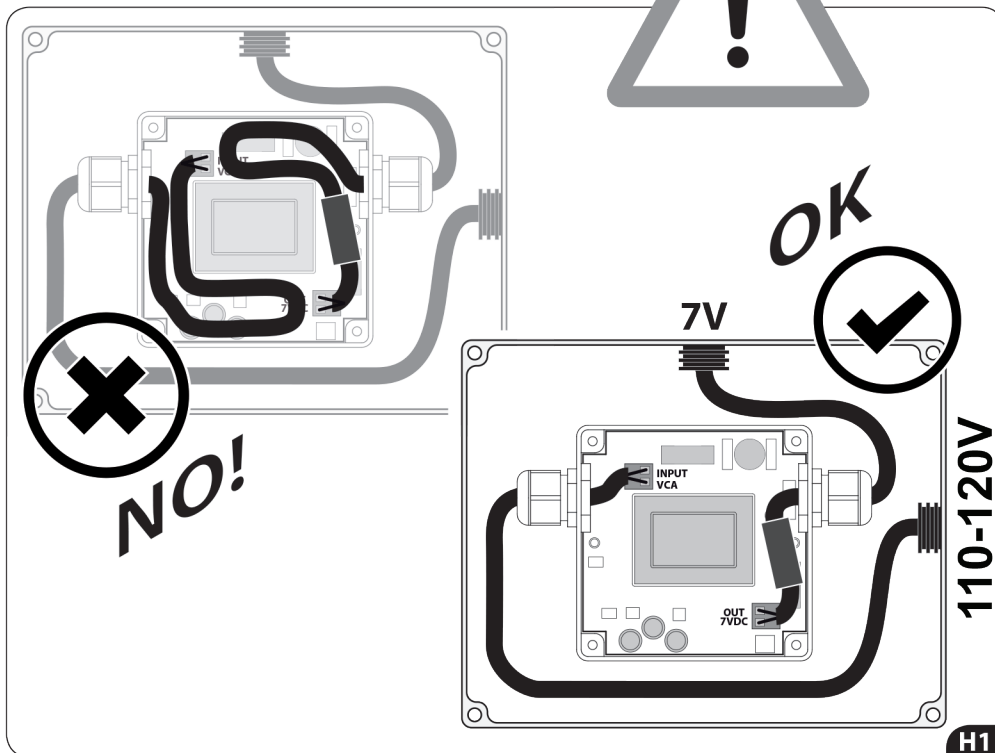
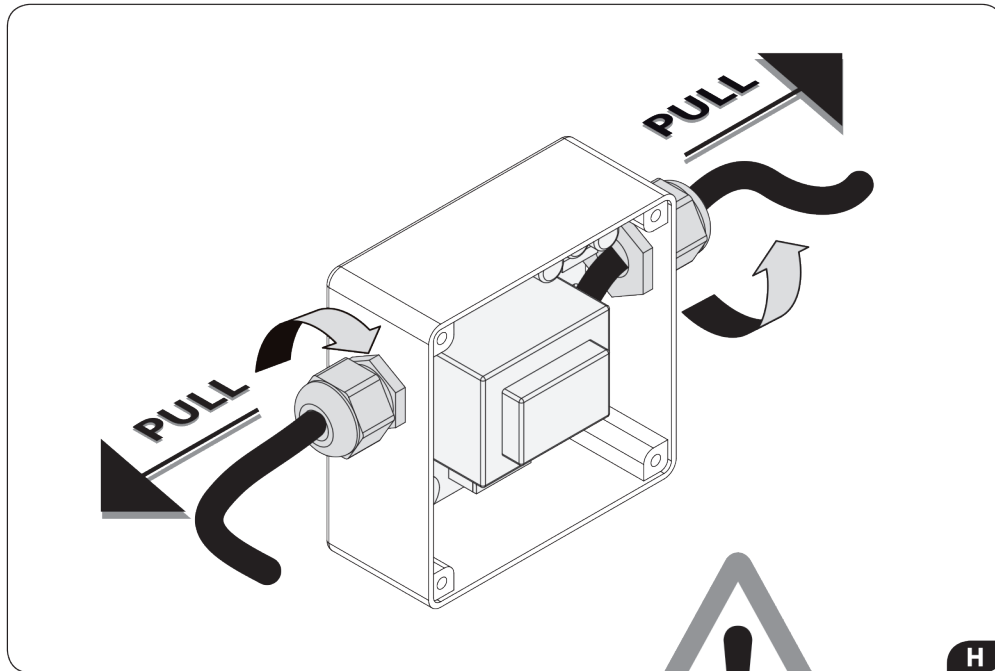


# DREAM LIGHT RAIN CANOPY INSTALLATION



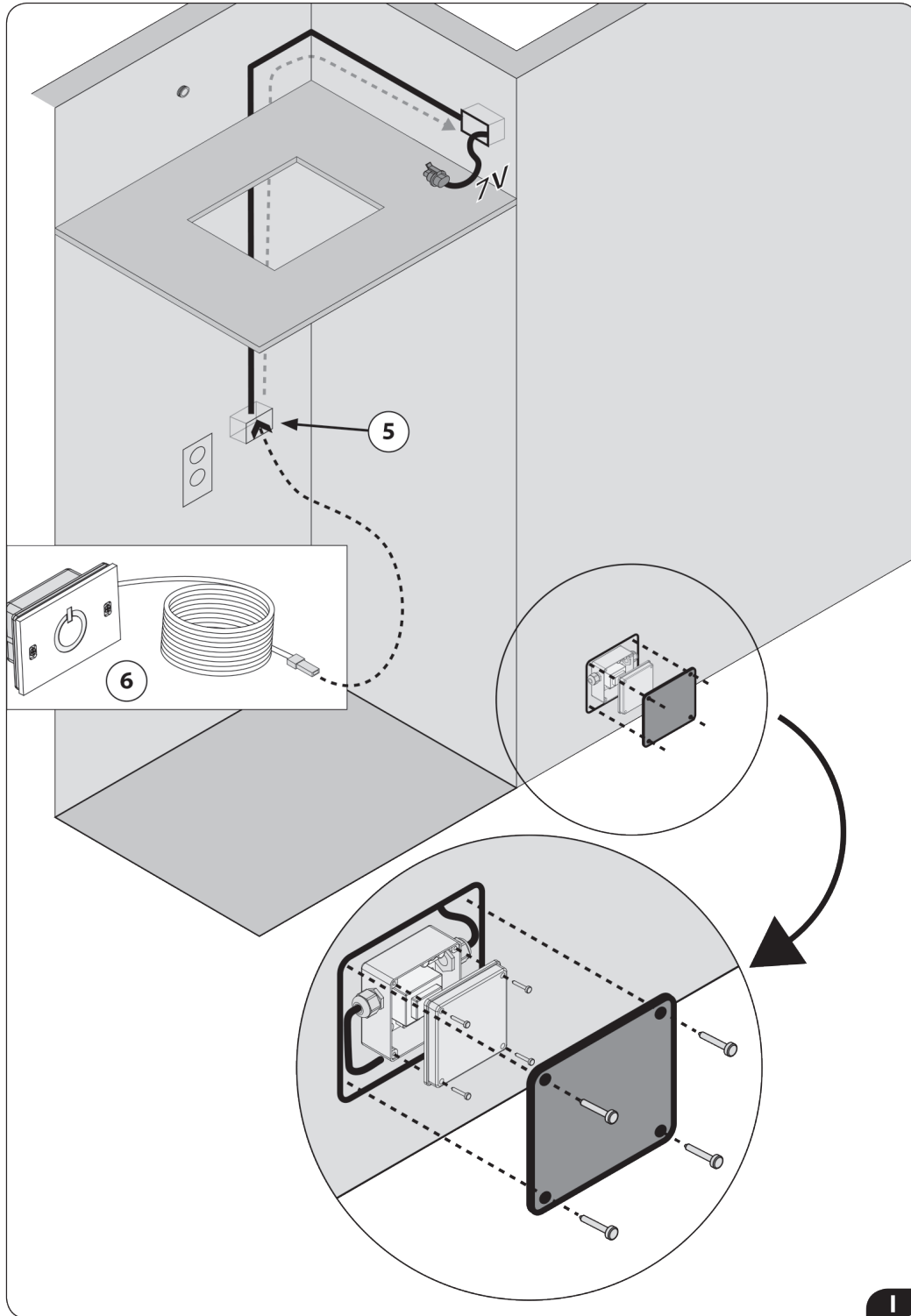


# DREAM LIGHT RAIN CANOPY INSTALLATION



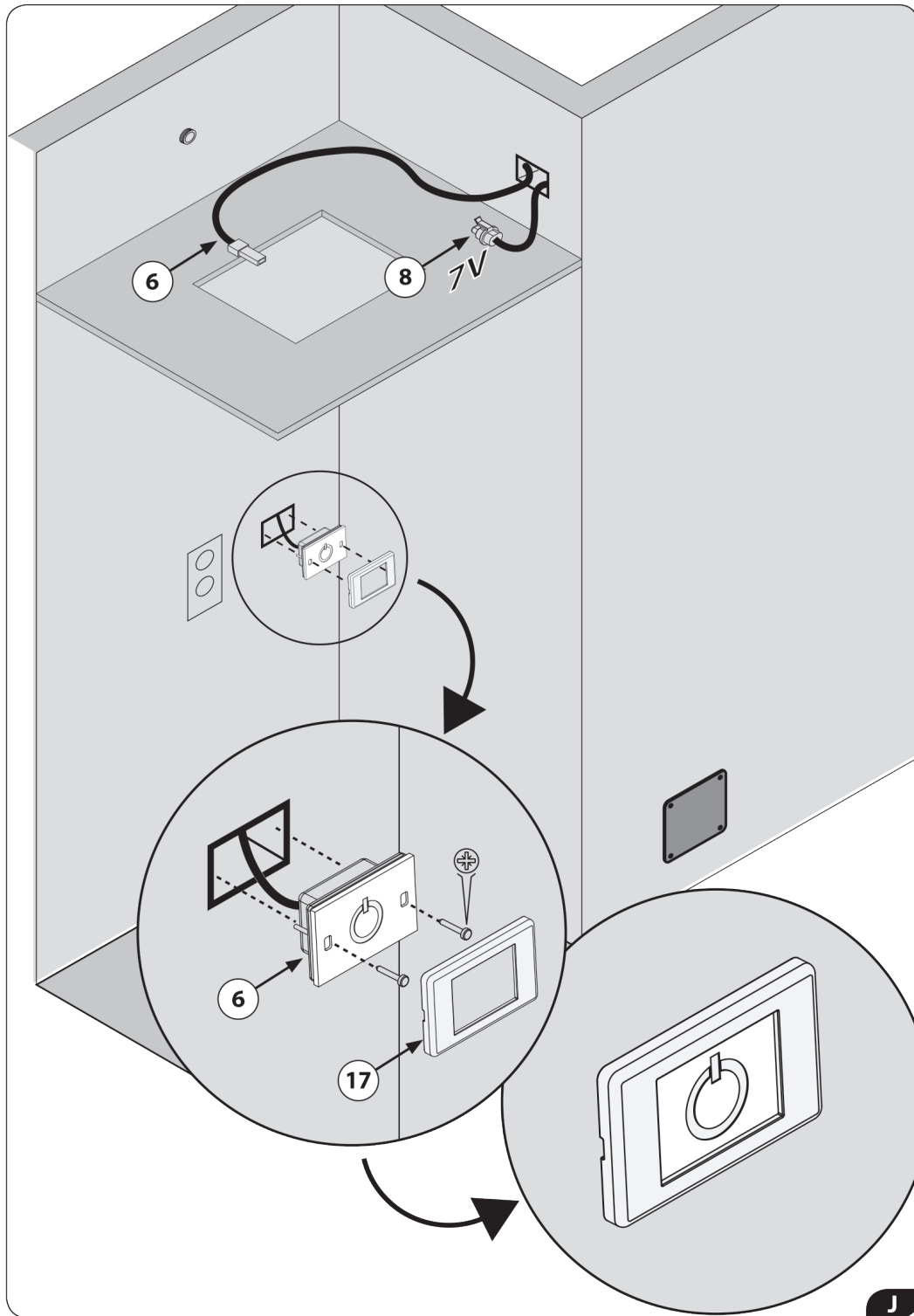
# DREAM LIGHT RAIN CANOPY INSTALLATION

## TOUCH PANEL OPTION INSTALL



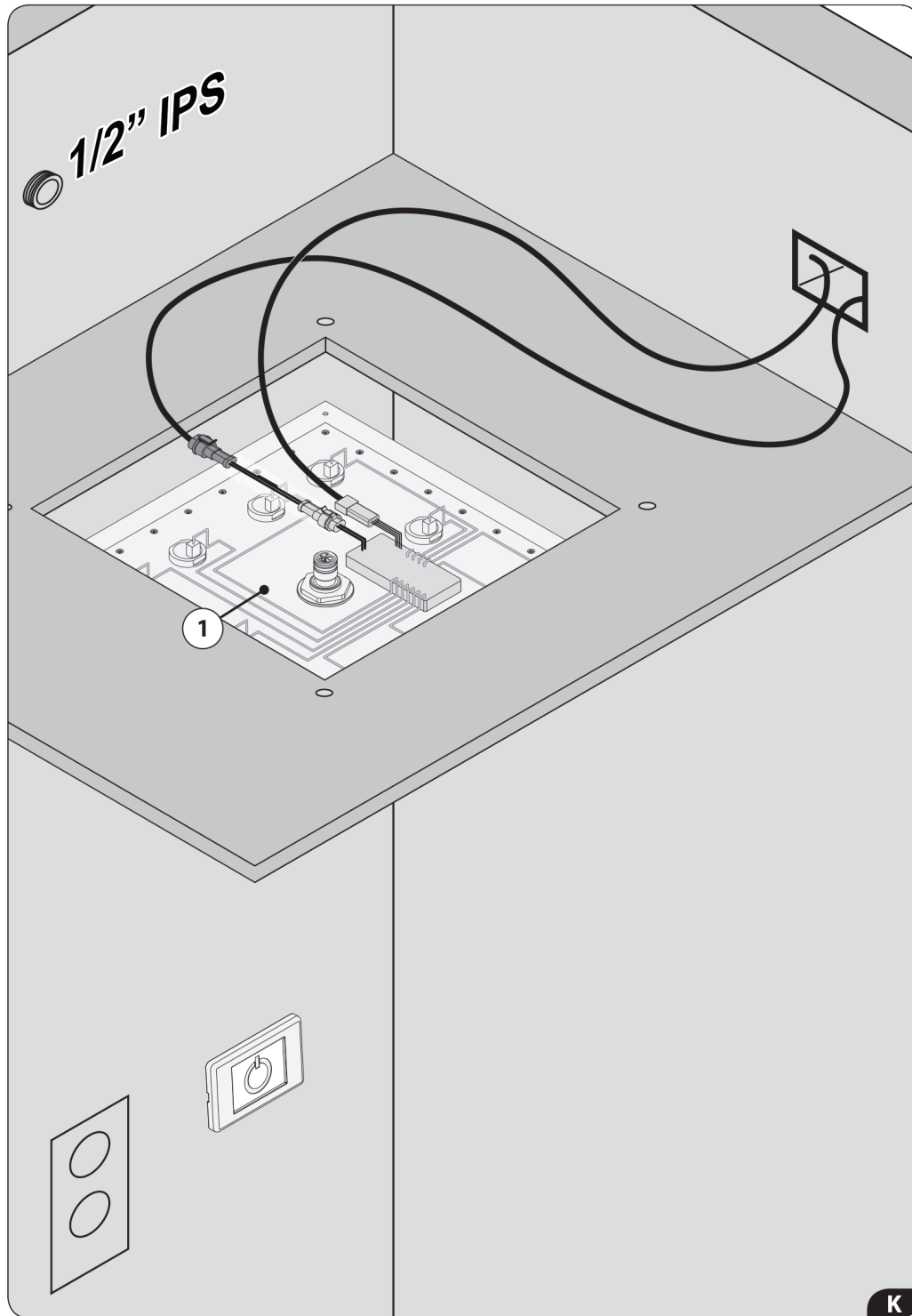
# DREAM LIGHT RAIN CANOPY INSTALLATION

## TOUCH PANEL OPTION INSTALL



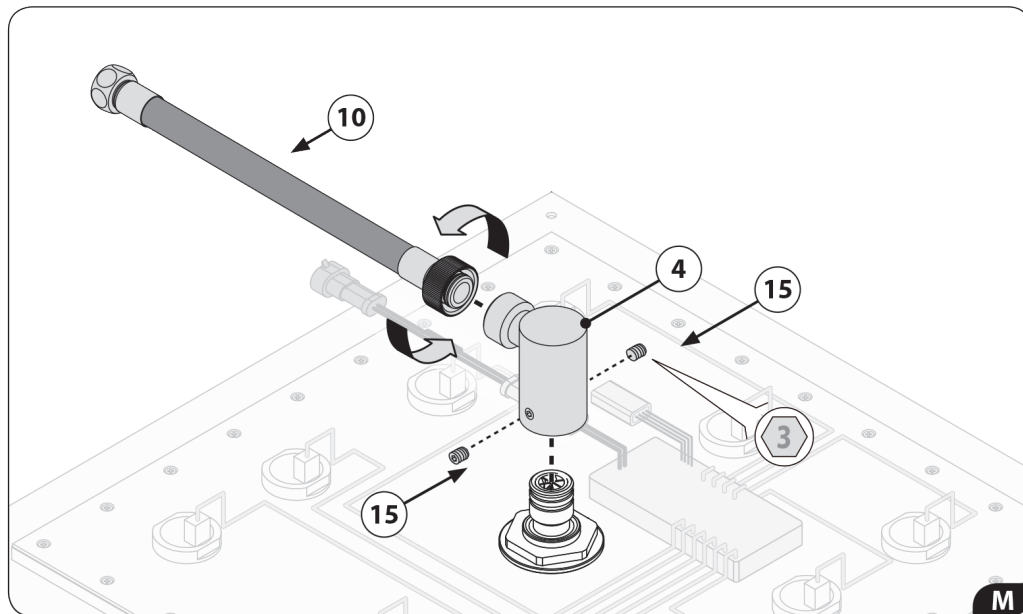
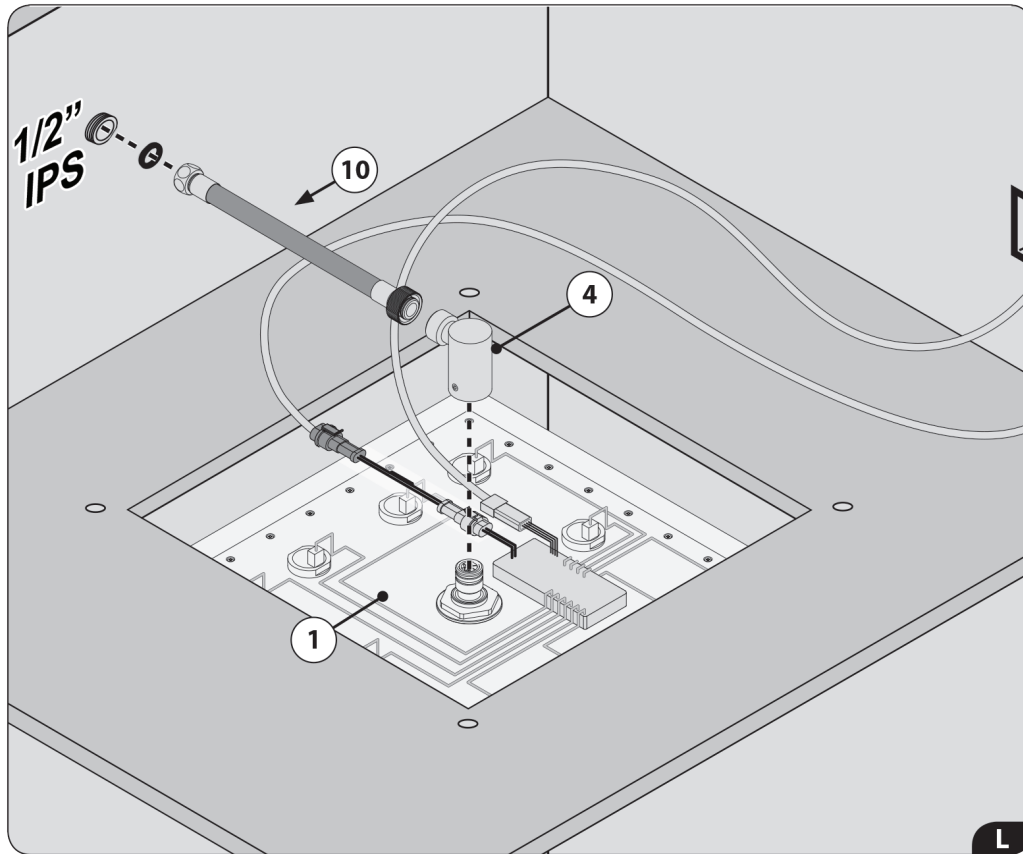
# DREAM LIGHT RAIN CANOPY INSTALLATION

## ELECTRICAL AND PLUMBING ASSEMBLY

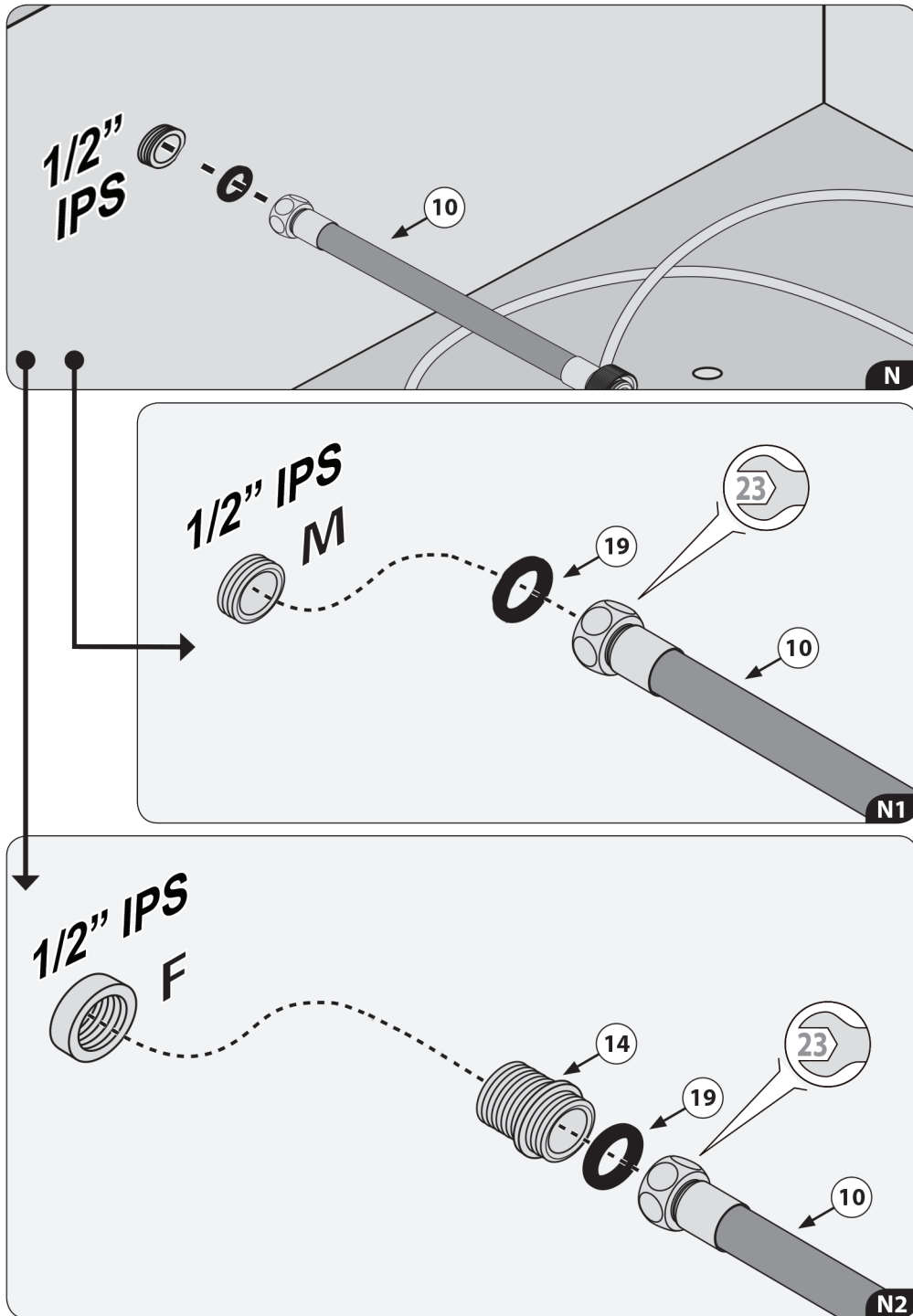


# DREAM LIGHT RAIN CANOPY INSTALLATION

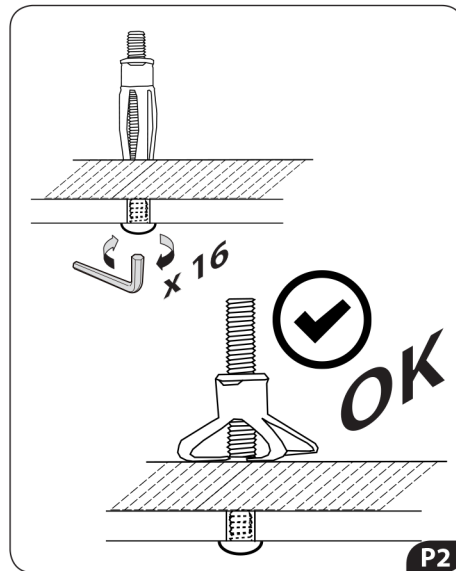
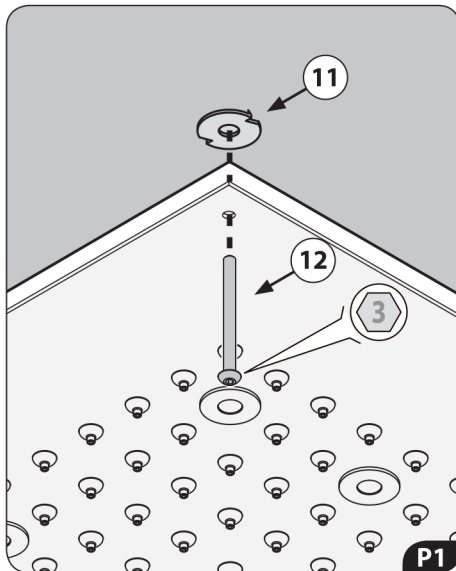
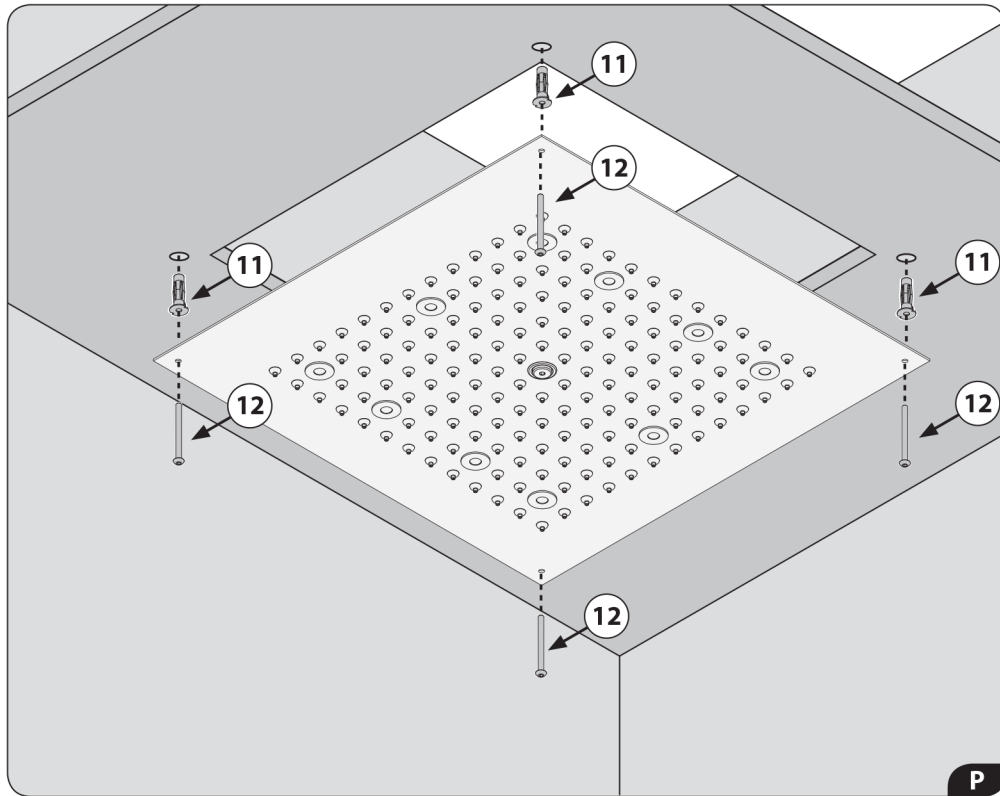
## ELECTRICAL AND PLUMBING ASSEMBLY



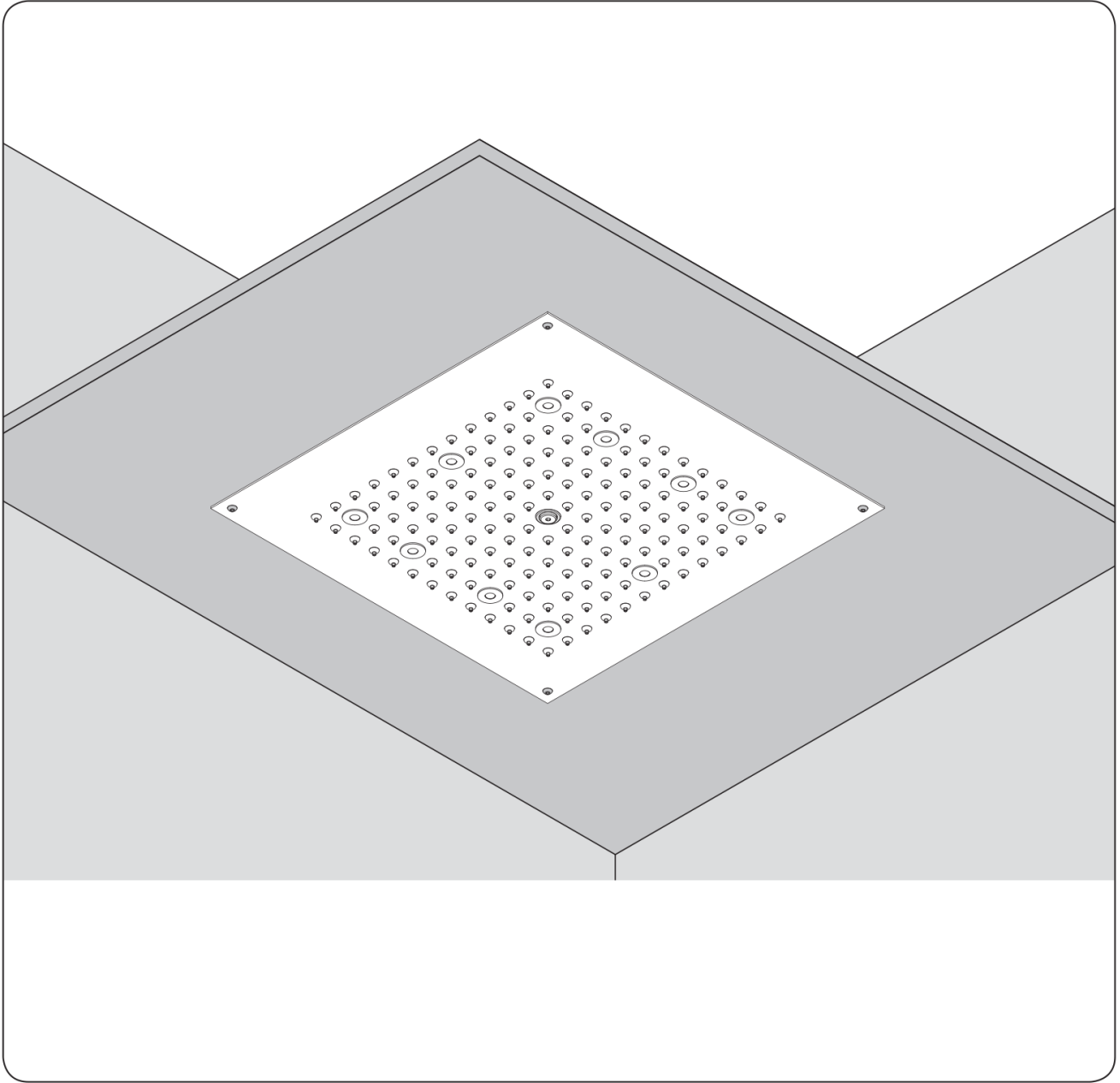
# DREAM LIGHT RAIN CANOPY INSTALLATION



# DREAM LIGHT RAIN CANOPY INSTALLATION



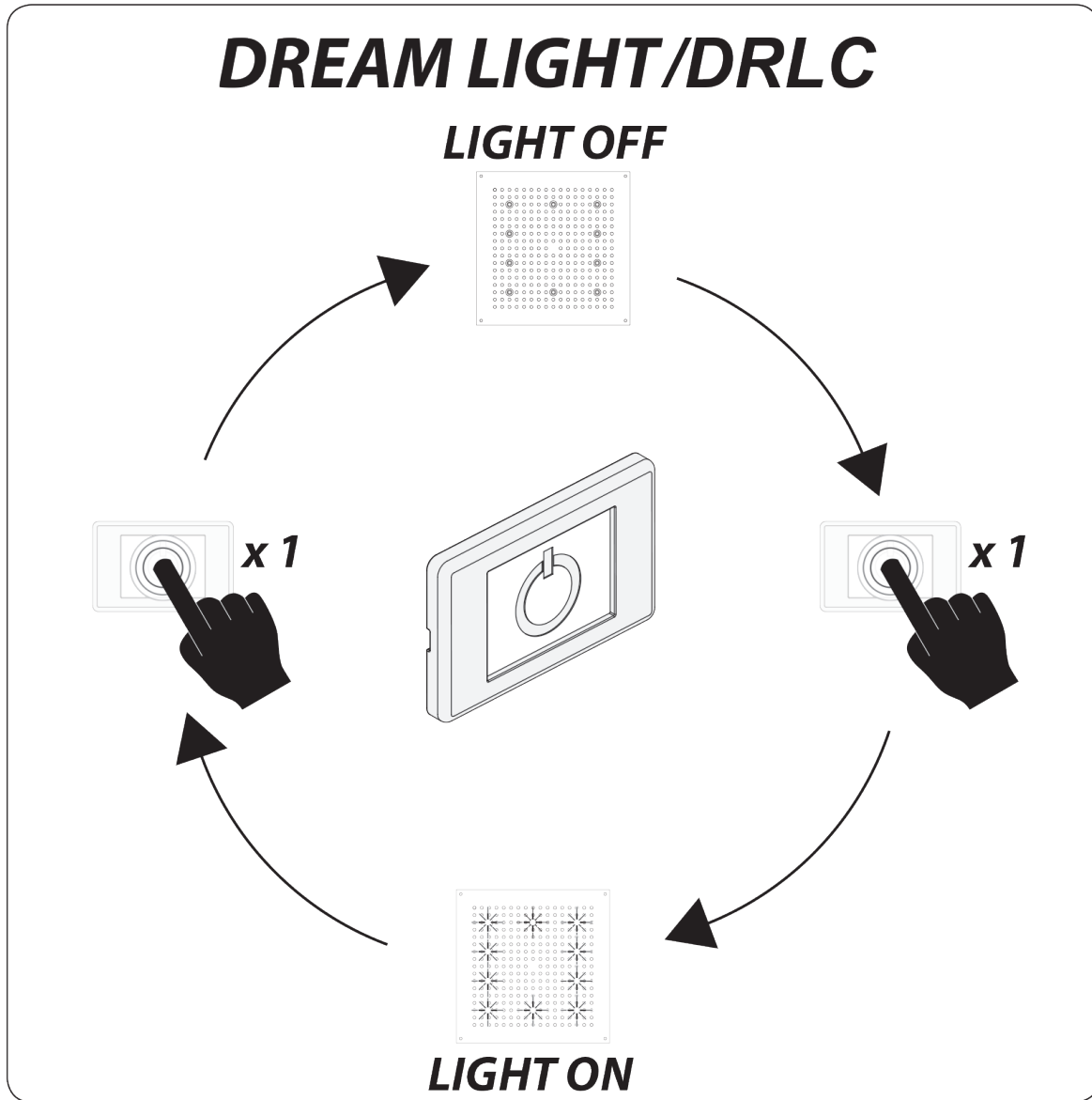
# DREAM LIGHT RAIN CANOPY INSTALLATION





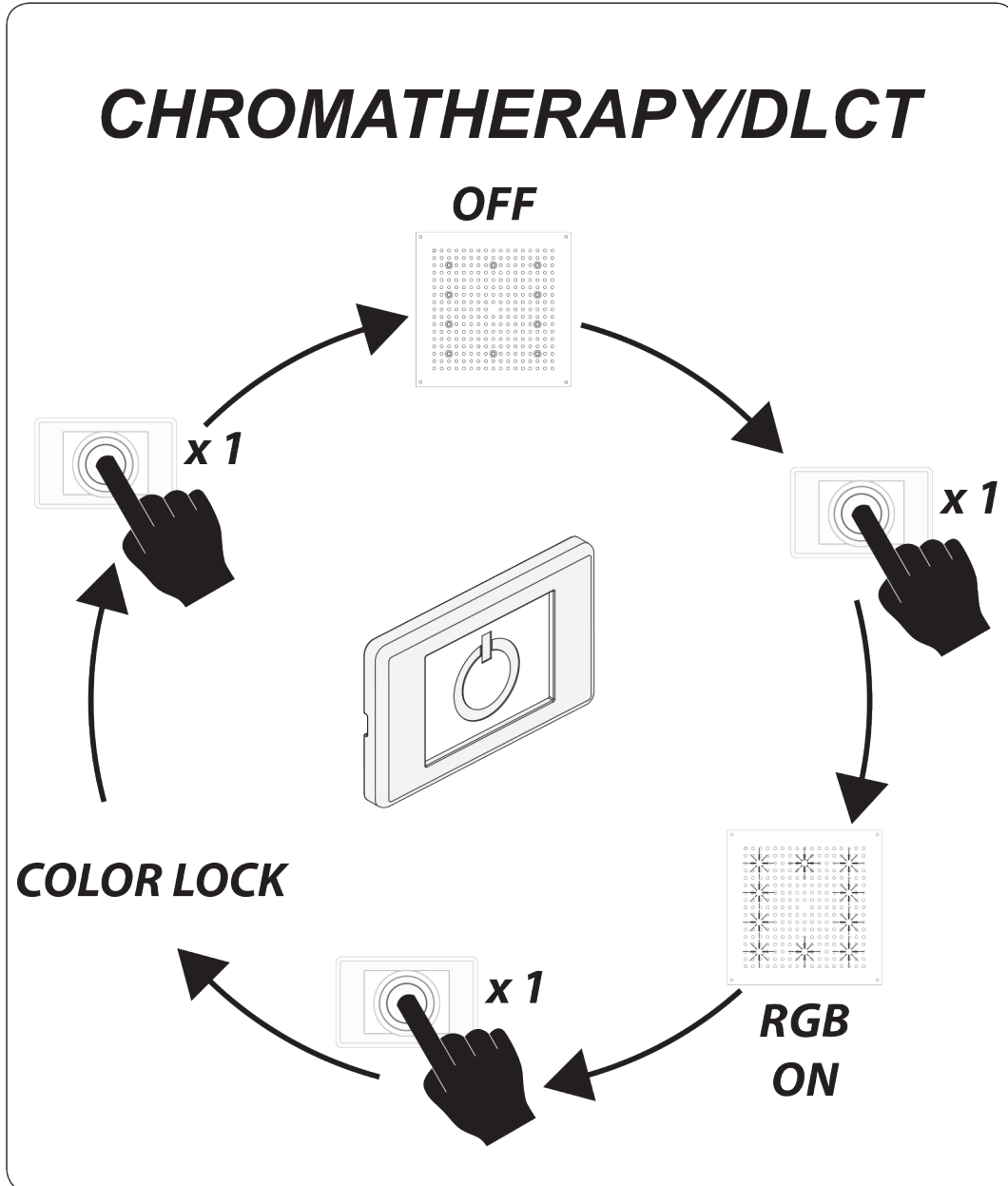
# DREAM LIGHT RAIN CANOPY INSTALLATION

## CONTROL KEYPAD OPERATION



*If no commands are sent to the system, a time-out function automatically shuts the system off after approx. 30 minutes.*

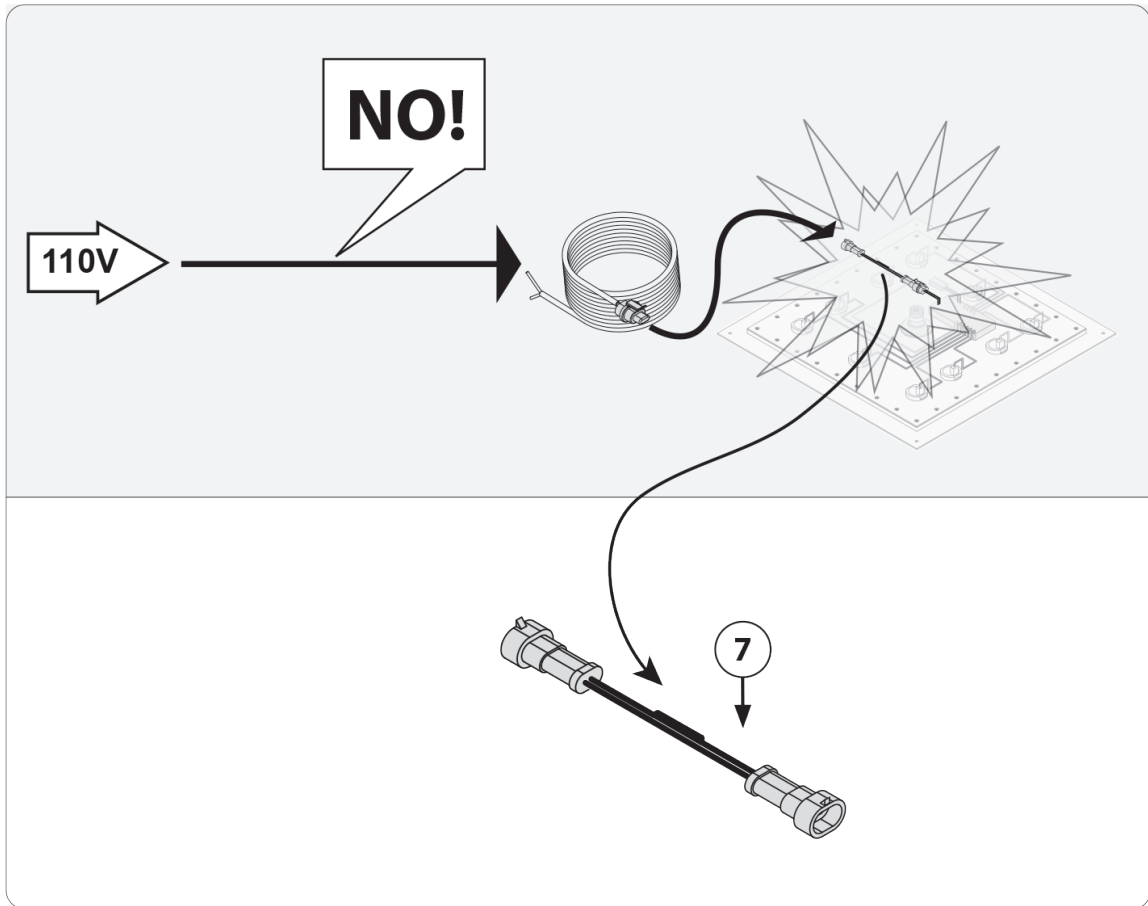
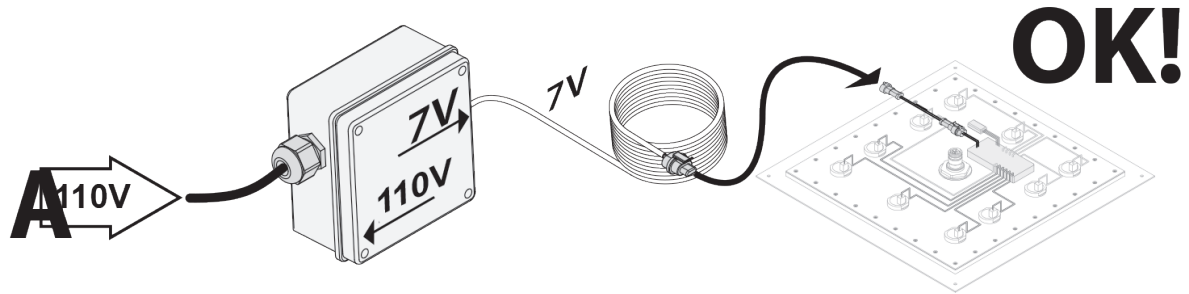
DREAM LIGHT RAIN CANOPY INSTALLATION  
CONTROL KEYPAD OPERATION



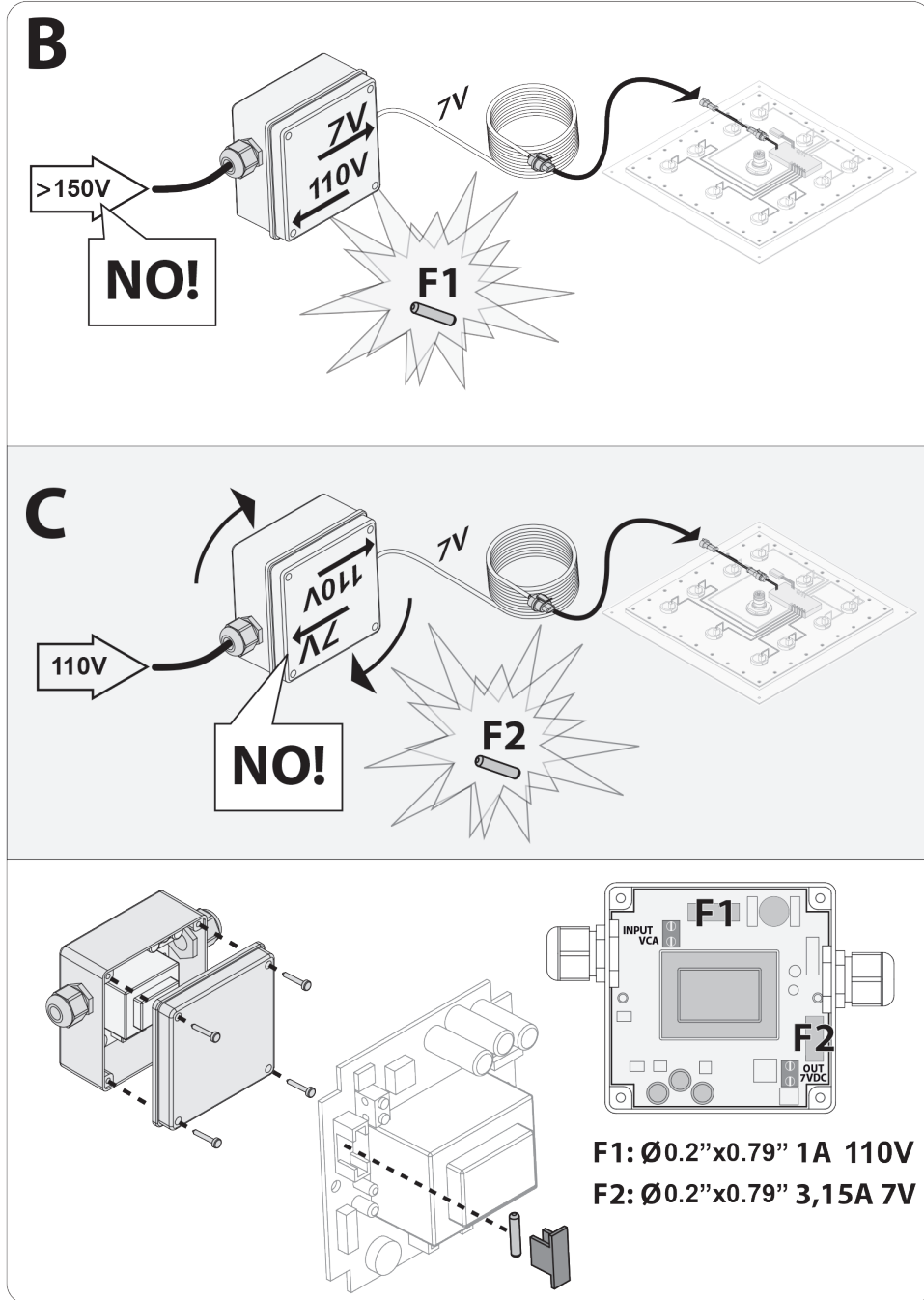
*If no commands are sent to the system, a time-out function automatically shuts the system off after approx. 30 minutes.*

# DREAM LIGHT RAIN CANOPY INSTALLATION

In case of LEDs non-functioning check the installation and replace the fuses as illustrated

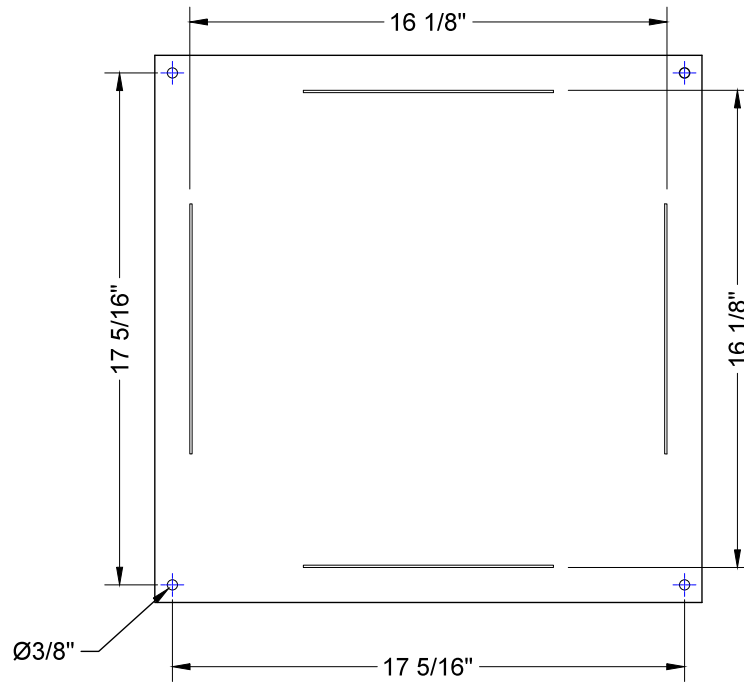


# DREAM LIGHT RAIN CANOPY INSTALLATION

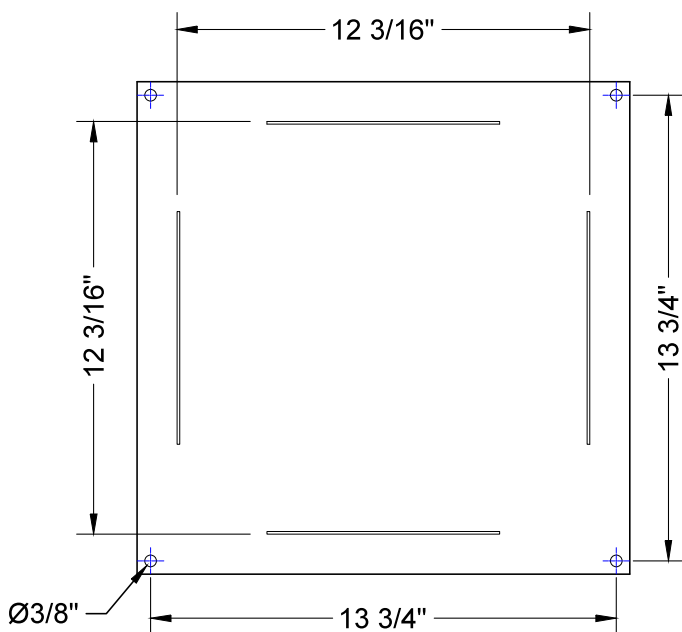


# DREAM LIGHT RAIN CANOPY TEMPLATES

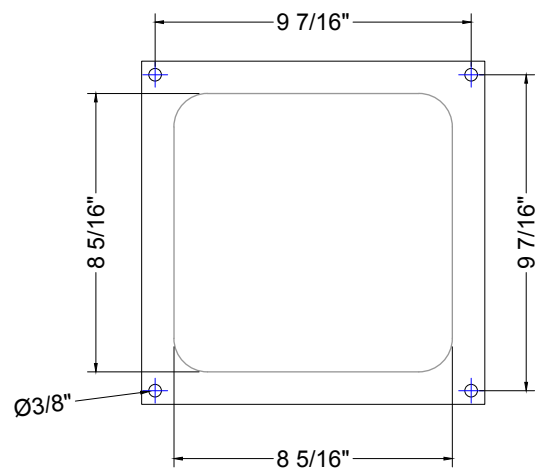
TEMPLATE FOR 1616-DLRC, & 1616-DLCT



TEMPLATE FOR 1212-DLRC, & 1212-DLCT

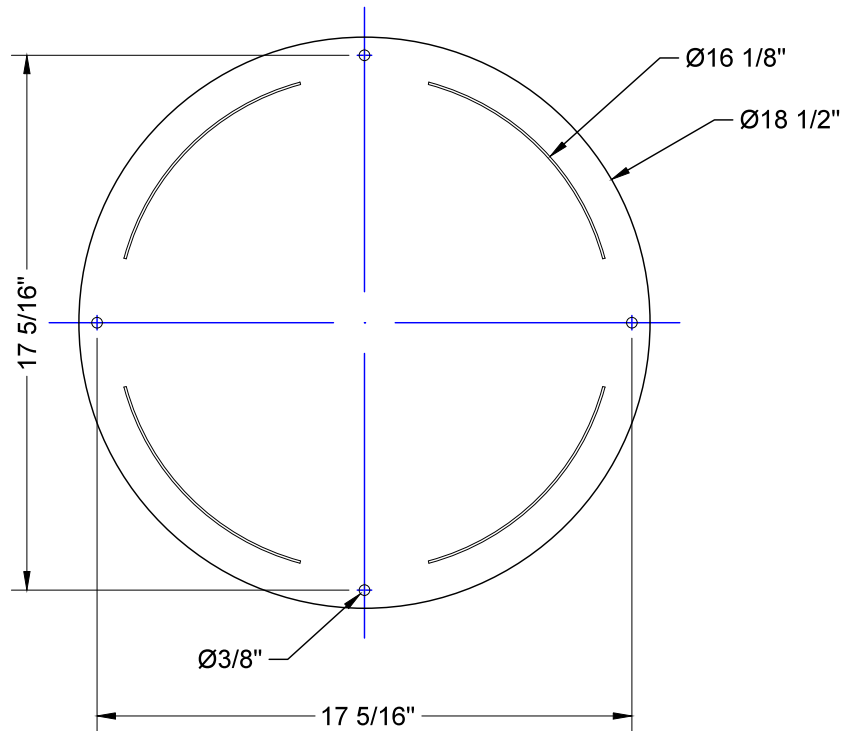


TEMPLATE FOR 88-DLRC, & 88-DLCT

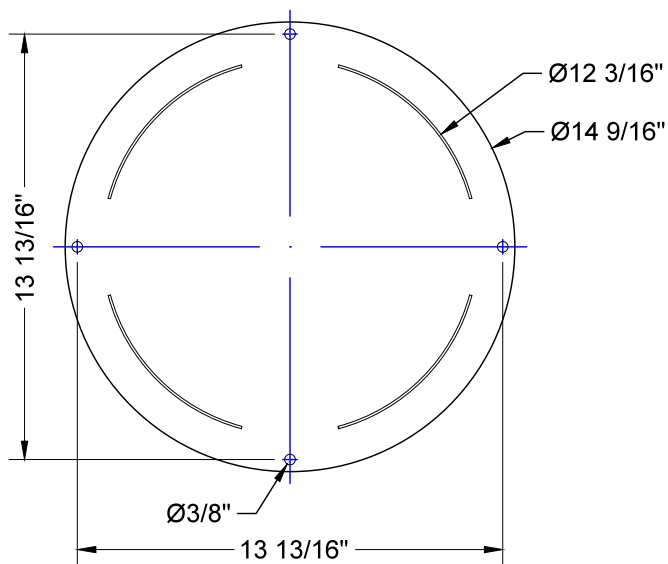


# DREAM LIGHT RAIN CANOPY TEMPLATES

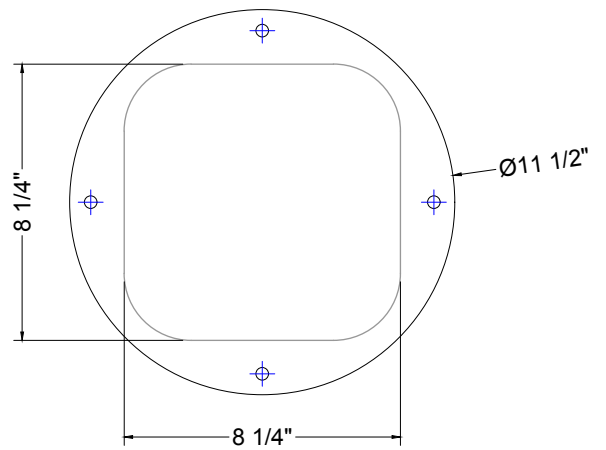
## TEMPLATE FOR 16R-DLRC, & 16R-DLCT



## TEMPLATE FOR 12R-DLRC, & 12R-DLCT

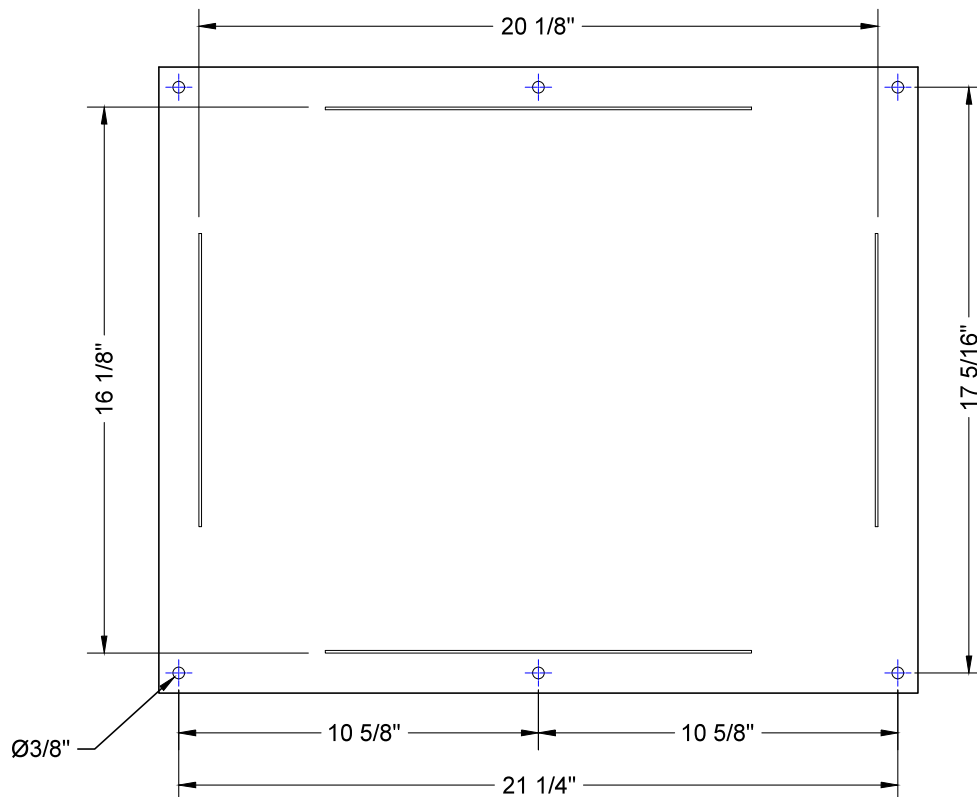


## TEMPLATE FOR 8R-DLRC, & 8R-DLCT



# DREAM LIGHT RAIN CANOPY TEMPLATES

TEMPLATE FOR 1620-DLRC, & 1620-DLCT



To learn more about JACLO's warranty, please visit [\*\*jaclo.com\*\*](http://jaclo.com)