

INSTALLATION INSTRUCTIONS

Aqua Outdoor Shower Column - Floor Install
Part #'s: 1811



ON-OFF VALVE



**USE OF SEPARATE
MIXING VALVE
REQUIRED**

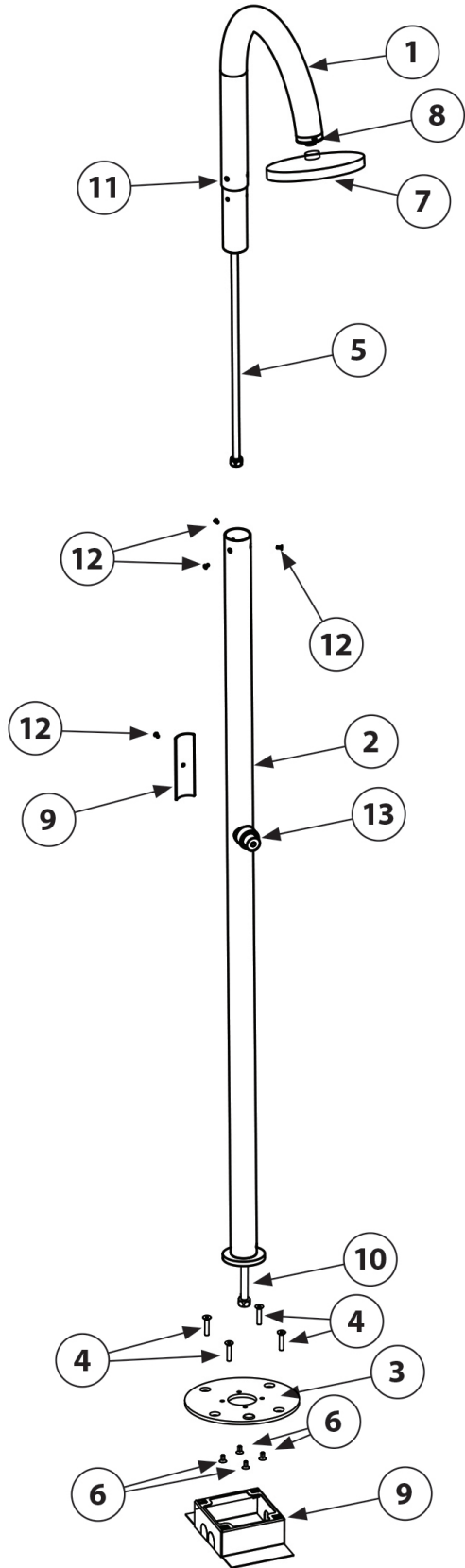


**READ THIS INSTALLATION AND
CARE MANUAL CAREFULLY**



WEAR PROTECTIVE GLOVES

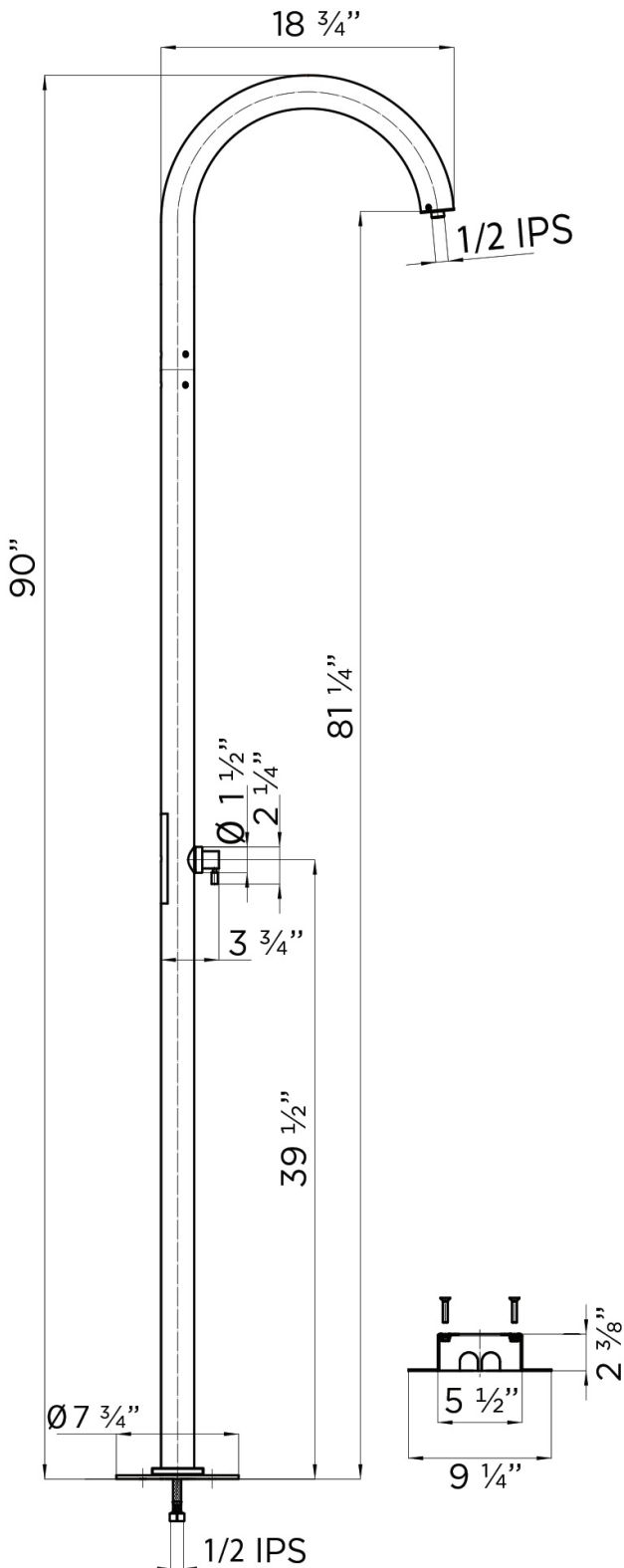
PARTS



COMPONENT PARTS		QTY
1	Curved Shower Pipe	1
2	Straight Vertical Shower Pipe	1
3	Base	1
4	M8x40 mm screws	4
5	Supply Flexible Hose	1
6	M6 Screws	4
7	S210 Shower head	1
8	Threaded Nut	1
9	Concealed Inlet Box	1
10	Water Inlet Flexible Hose	1
11	Adjusting/fixing screw	3
12	M4 Screws	4
13	On-Off Valve	1

SPECIFICATIONS

SHOWER COLUMN



DYNAMIC PRESSURE

Minimum	8 PSI
Maximum	72 PSI

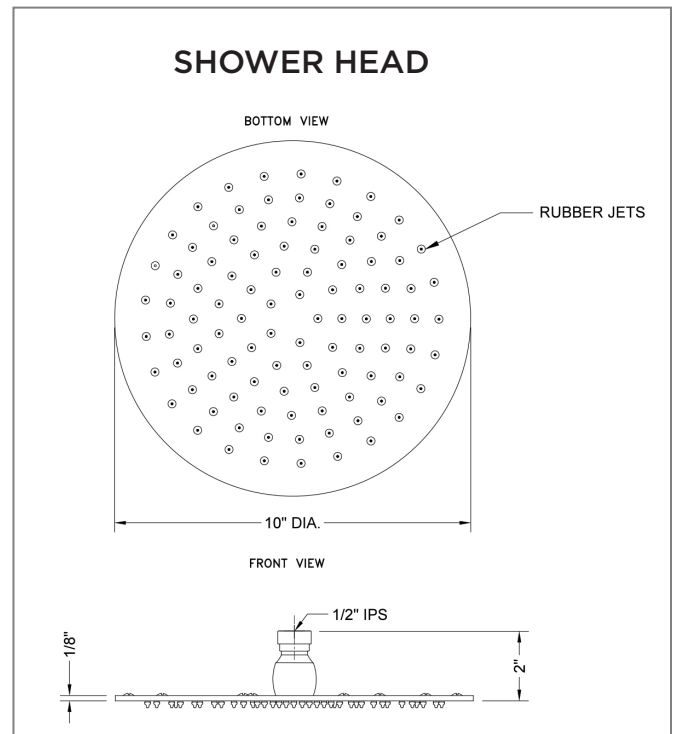
WATER TEMPERATURE

Maximum	140°F
---------	-------

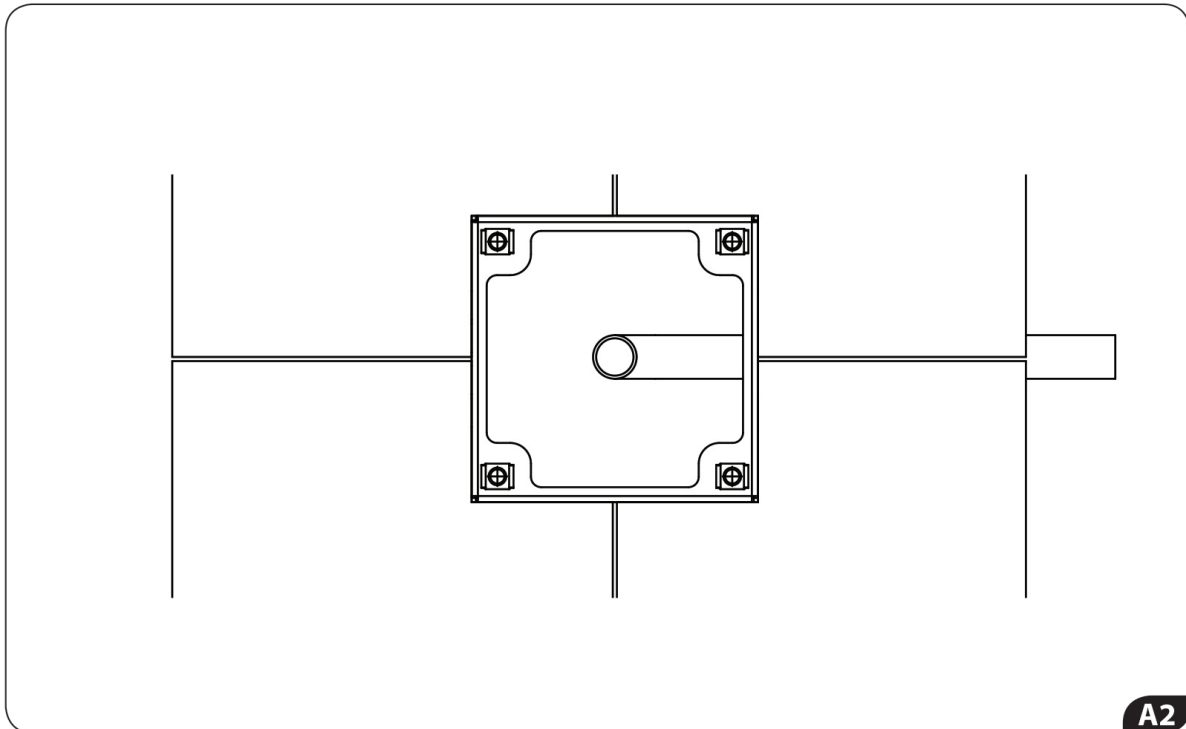
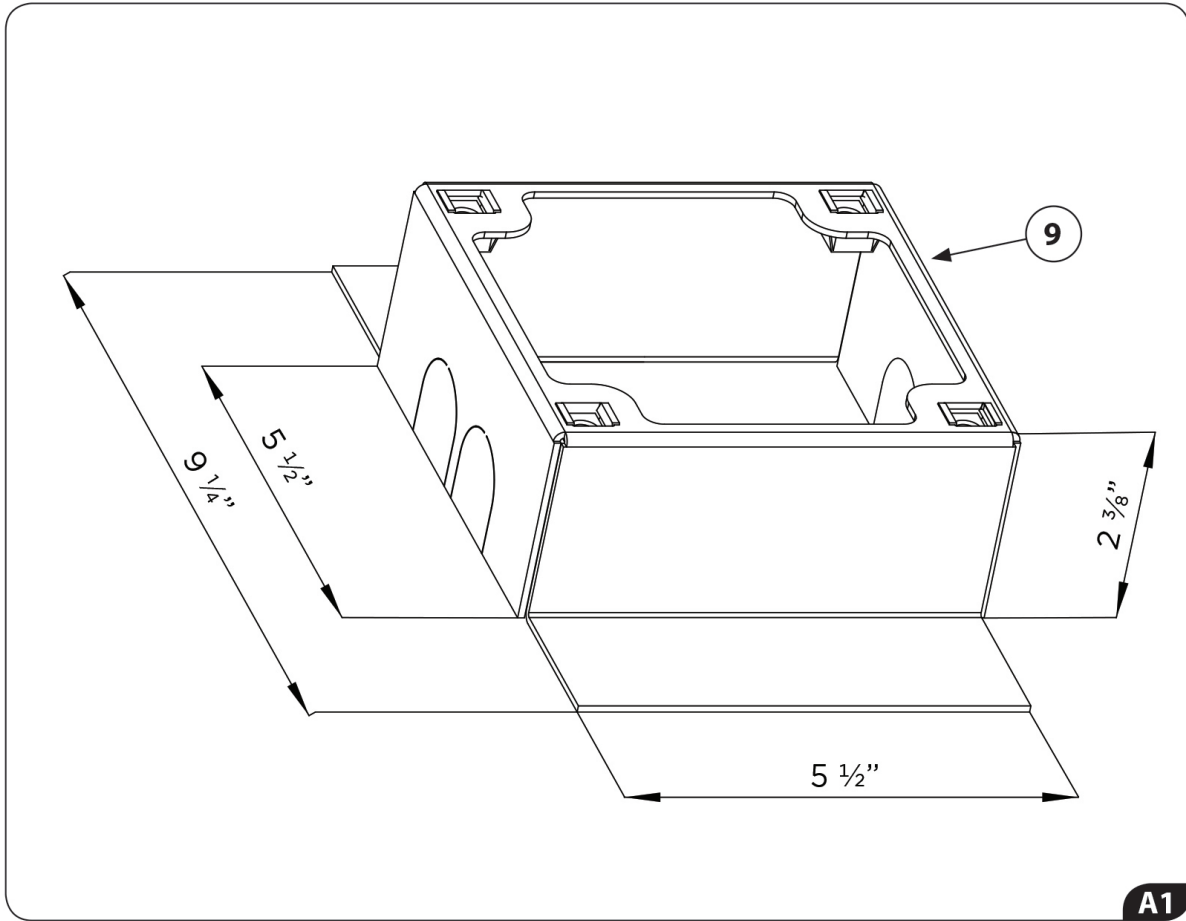
PRESSURE FLOW RATES

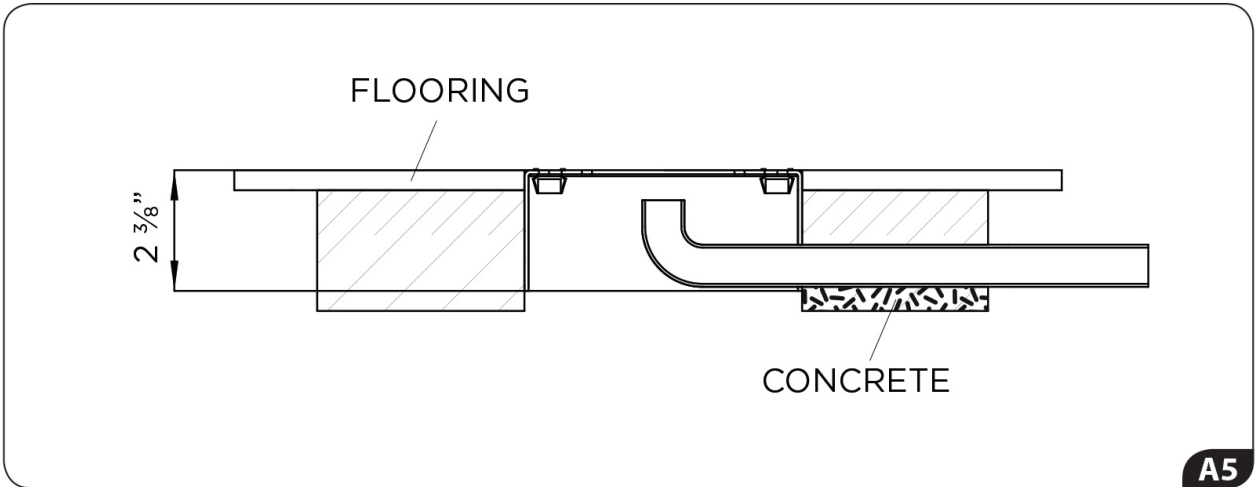
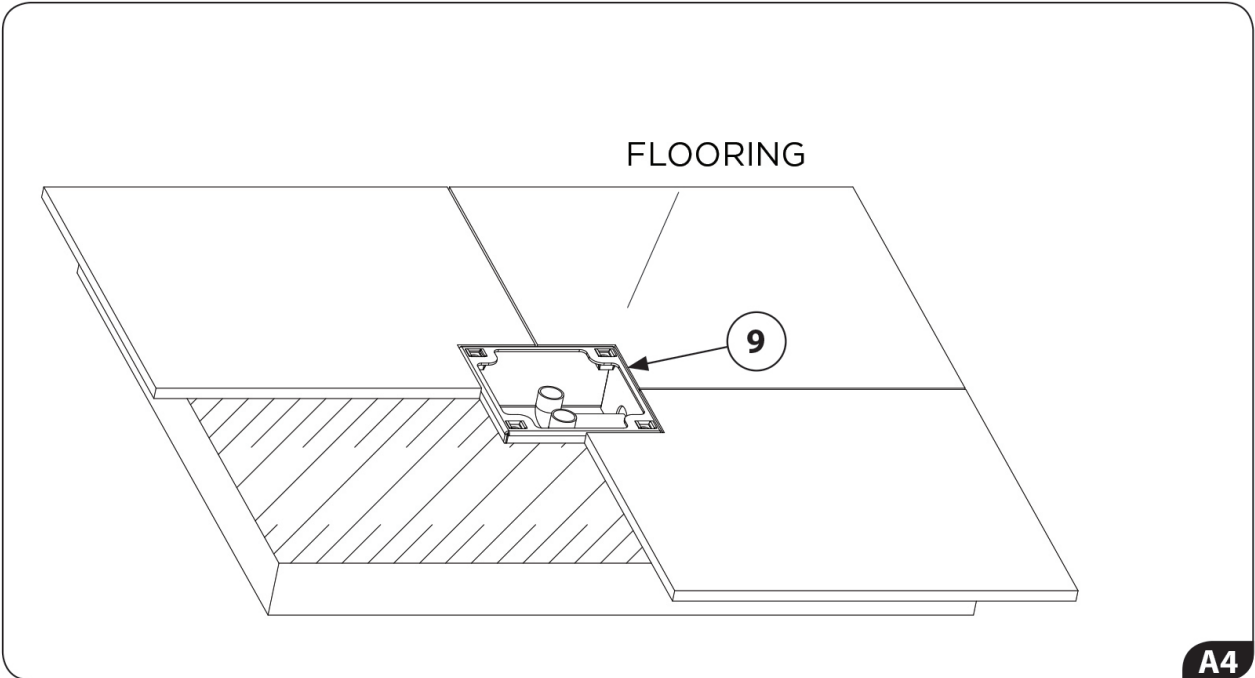
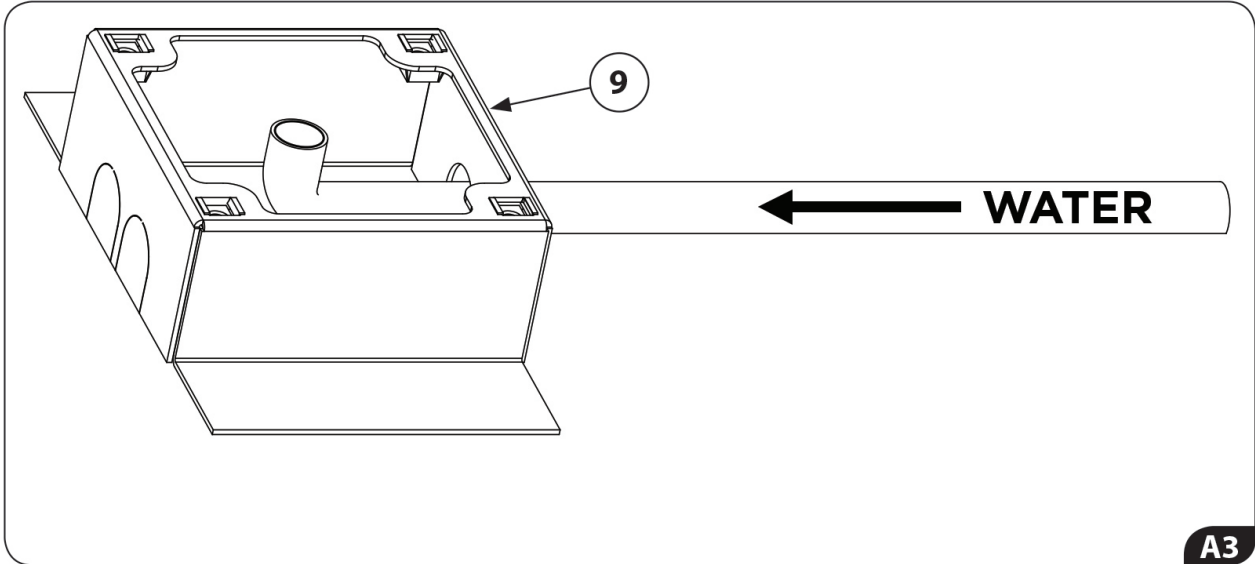
PRESSURE	FLOW RATES
8 PSI	2 GPM
15 PSI	2.9 GPM
30 PSI	3.9 GPM
50 PSI	4.7 GPM

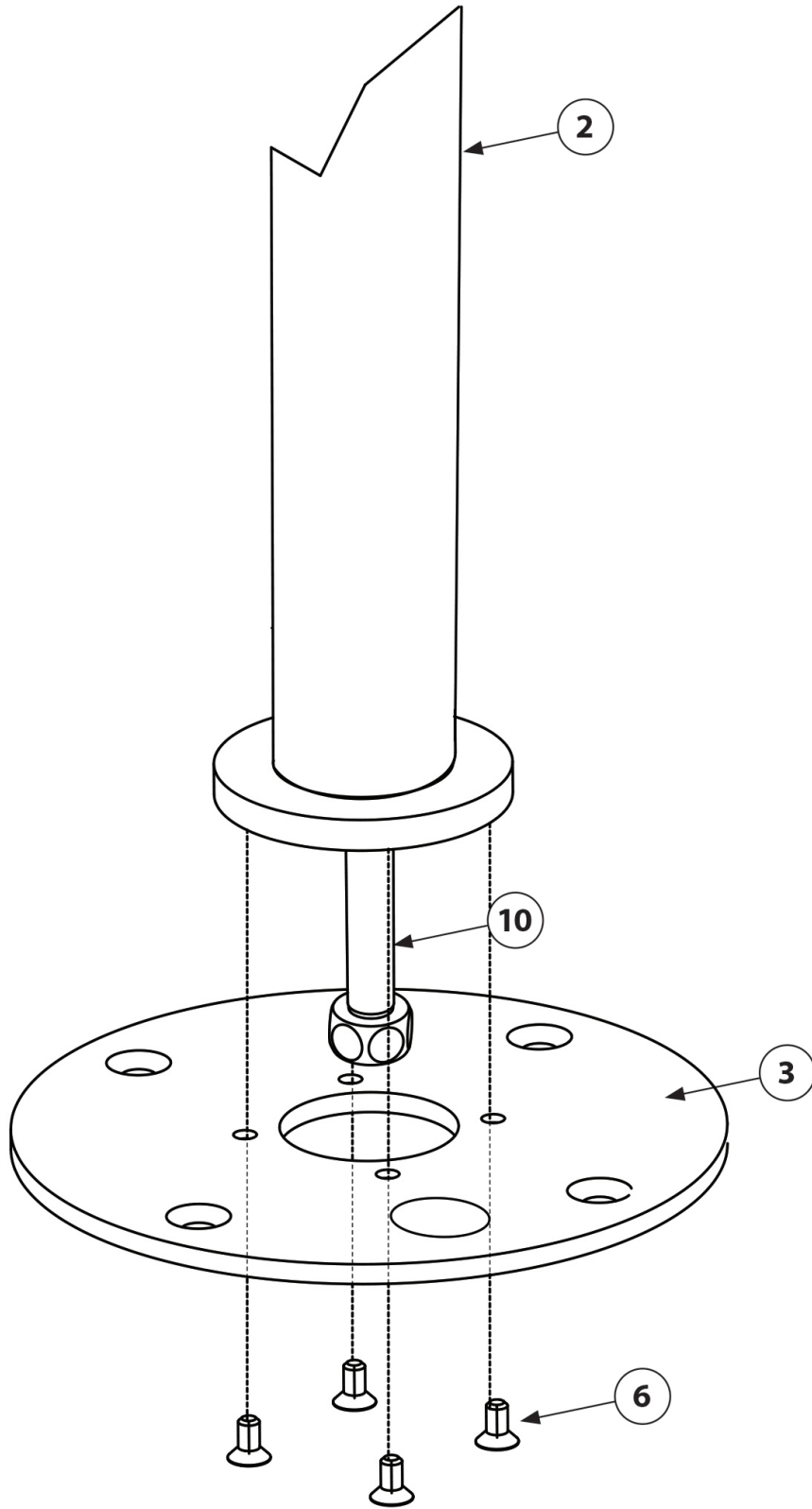
SHOWER HEAD

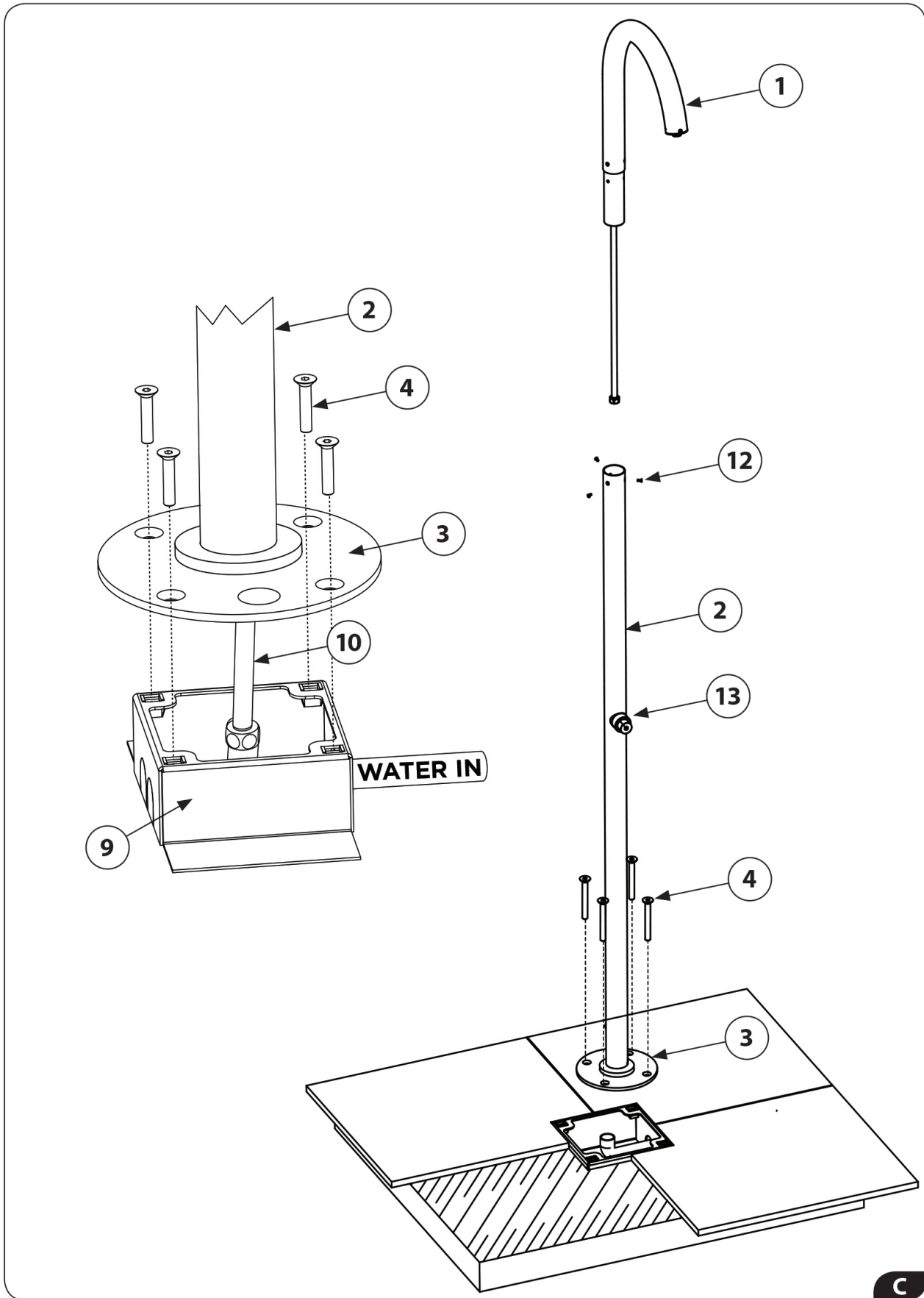


INSTALLATION

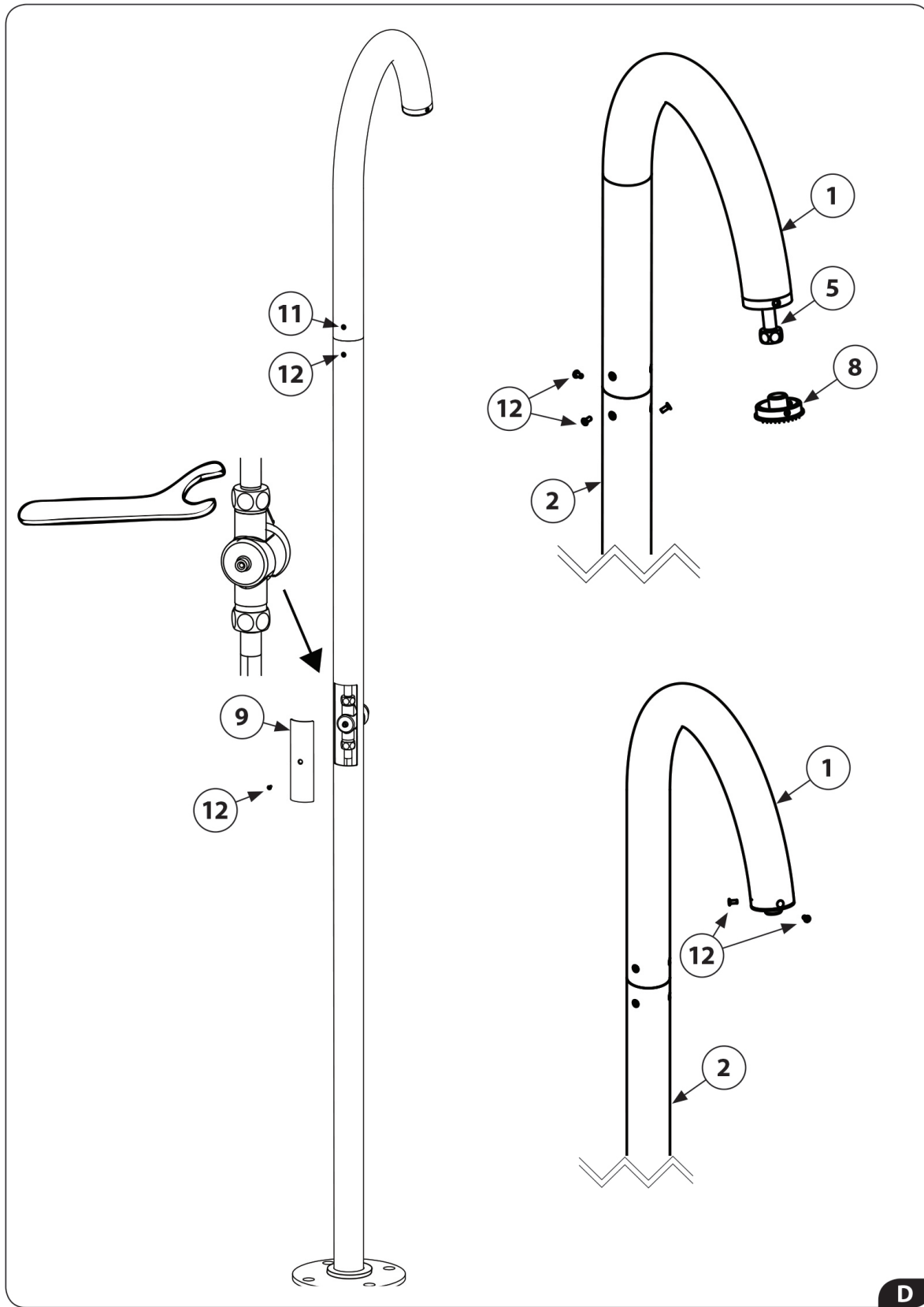


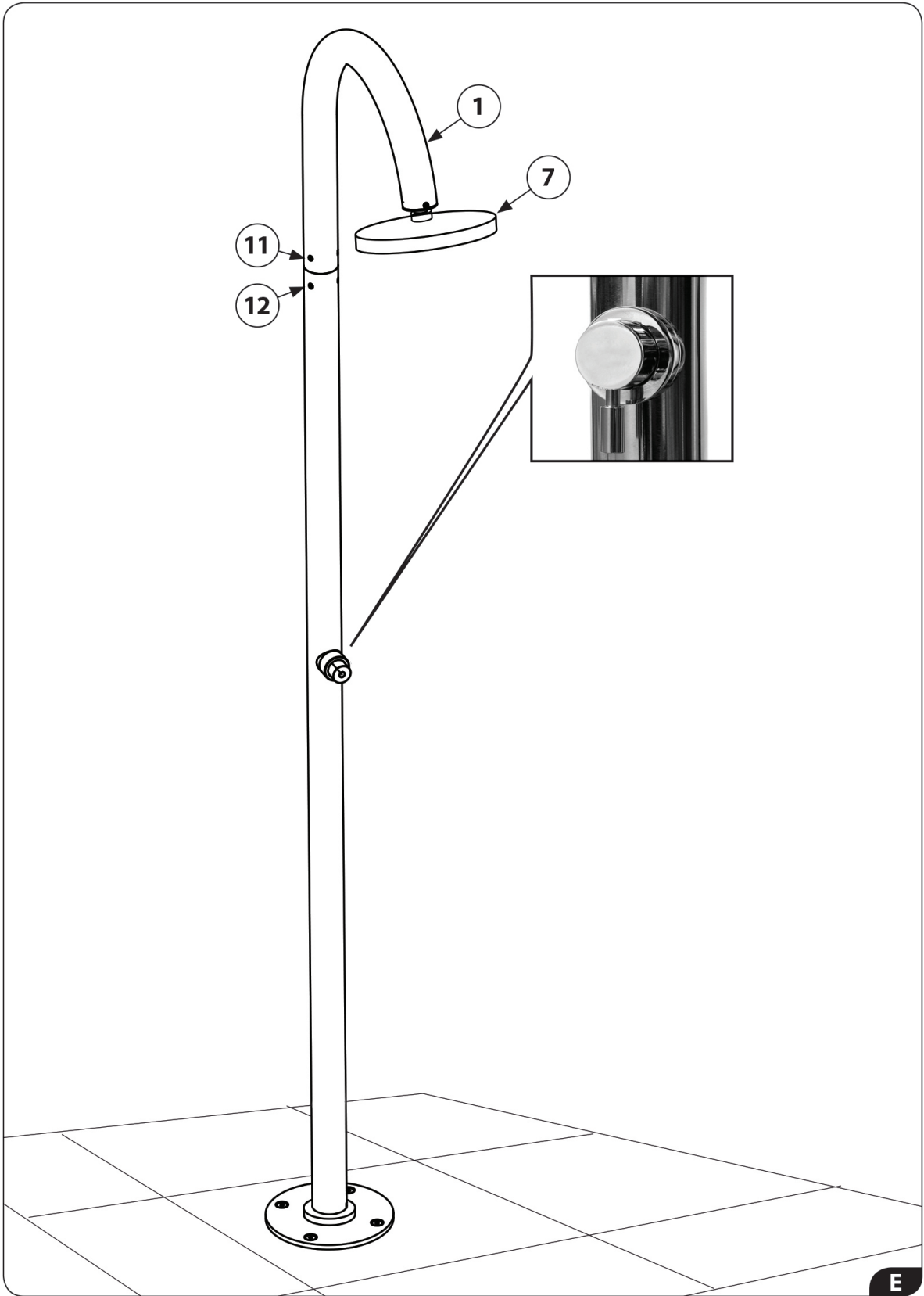






C





INSTALLATION

1. Install the concealed inlet box under the flooring (9) and arrange the plumbing inside it. (Figures A1, A2, A3, A4 & A5)
2. Join the vertical pipe (2) to the base (3) using the M6 screws (6) (Figure B), turning valve (13) to the same position as provided for the shower head.
3. Connect the Shower Hose (10) to the underground water supply in the concealed inlet box (9) (Figure C1), then secure it all to the floor (4).
4. Insert the curved pipe (1) into the vertical pipe (2), sliding the connection hose (5) inside it. Secure in place with the screws (12) at the point of connection. (Figures C & D)
5. Screw the shower head supply hose connector (5) to the valve body (13) (Figure D), then position the cover plate (9) and secure with the screw.
6. Screw on the shower head (7). (Figure E)
7. Align pipes (1) and (2) (an adjustment range of $\pm 5^\circ$ is permitted) and fix them in place with the adjusting screws (11).

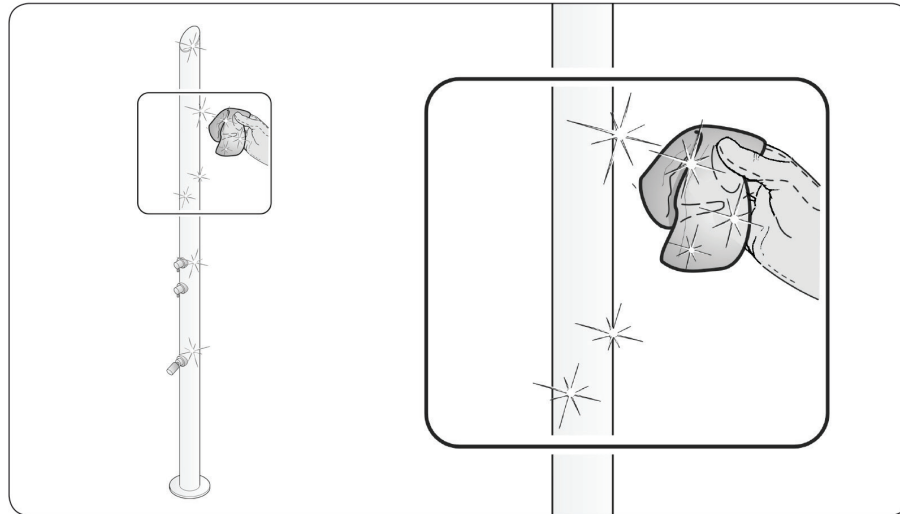
ATTENTION - WARNING

WARNING

CARRY OUT THE SYSTEM PURGING BEFORE THE PRODUCT CONNECTION, TO PREVENT MIXERS FUNCTIONAL PROBLEMS FROM IMPURITY OR REMAINS INTO THE CARTRIDGE.

It is recommended to install the filter at the system's water intake.

CLEANING & MAINTENANCE



Cleaning and Maintaining your Shower Column

Dear Customer,

Congratulations for choosing a Bossini product and we thank you for the trust you have given us. To keep the material's appearance as long as possible, a few guidelines must be followed.

Cleaning metal parts: water contains calcium that deposits on surfaces and forms unpleasant spots. For routine cleaning, simply use a damp cloth with a little soap, rinse and dry. Calcium spots can therefore be avoided by drying after use.

Important note: Using only a soap-based detergent is recommended. Never use abrasive detergents or disinfectants or those containing alcohol, hydrochloric acid or phosphoric acid.

Cleaning the rubber nozzles: the showerhead is equipped with the "Easy-Clean" system with rubber nozzles (modules). Calcium is a shower's worst enemy and that is why Bossini proposes the Easy-Clean" system. These rubber modules are extremely heat-resistant and with hot water they dilate, thus detaching the first layer of calcium. Moreover, periodically bending the silicone modules manually easily gets rid of calcium. With one simple gesture, your shower is always perfect.

Maintenance:

We recommend that you follow the maintenance instructions below to ensure that your product is safeguarded during the winter months.

- 1) Empty the water supply that services the shower column at the end of the summer, before it starts to get cold.
- 2) During the winter months, we recommend that you cover the column using the protective covering included in the pack, to protect it from inclement weather and humidity or, better, remove it. This is easy to do and will make your column last longer.

Removing the column:

Remove the 4 screws, slide out the column and reposition the protective and polystyrene plugs using the 4 screws.

Dear Customer, we would like to remind you that the warranty on our product's surface is not valid if the material undergoes treatment different than that suggested.

RECOMMENDATIONS FOR PROPER USE

RECOMMENDATIONS FOR PROPER USE

Proper use of this product will allow you to avoid damages to the bathroom environment.

* To prevent impurities or debris from getting inside the product and causing functional problems, always flush out the system before connecting it to the supply pipes.

It is recommended to install the filter at the system's water intake.

* To keep the diffuser clean and prevent lime scales from clogging the diffuser, we advise that you periodically rub the silicone nozzles to free them of the lime deposits.

To learn more about JACLO's warranty, please visit [**jaclo.com**](http://jaclo.com)