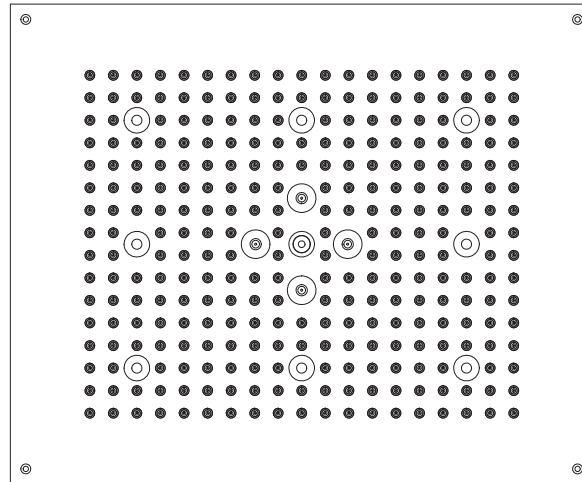


INSTALLATION INSTRUCTIONS

1823-DLNEB

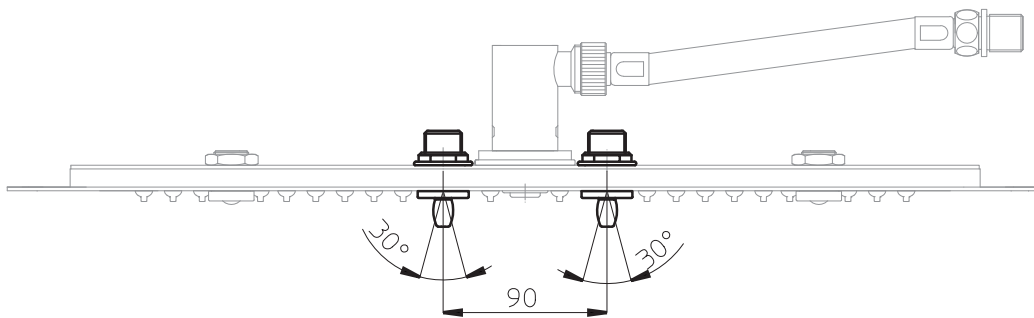
JACLO®

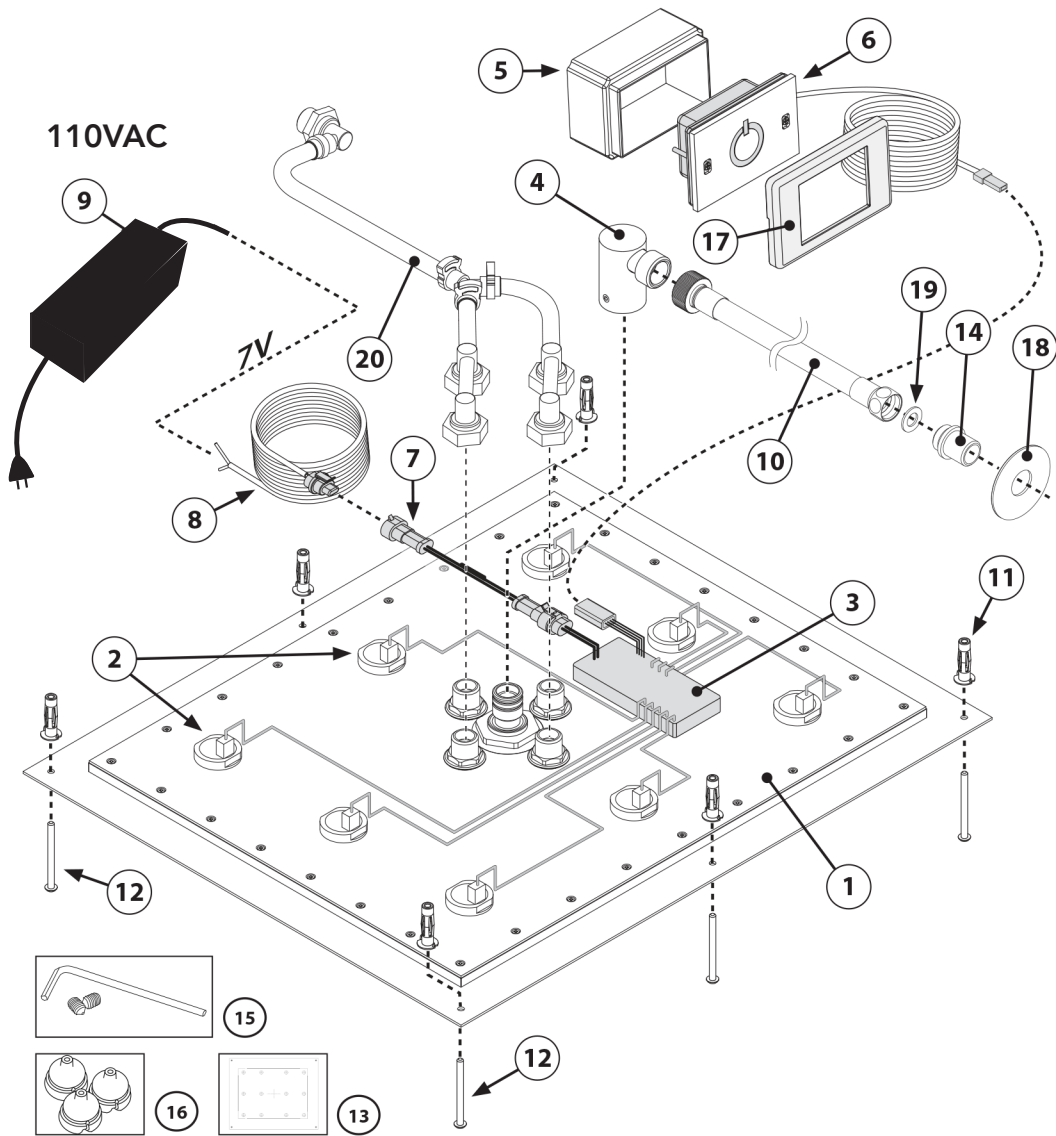
Confidence from start to finish.™



Dream Rectangular^{Light}
570x470 mm - 8 LED

Dream Rectangular^{Light RGB}
570x470 mm - 8 LED






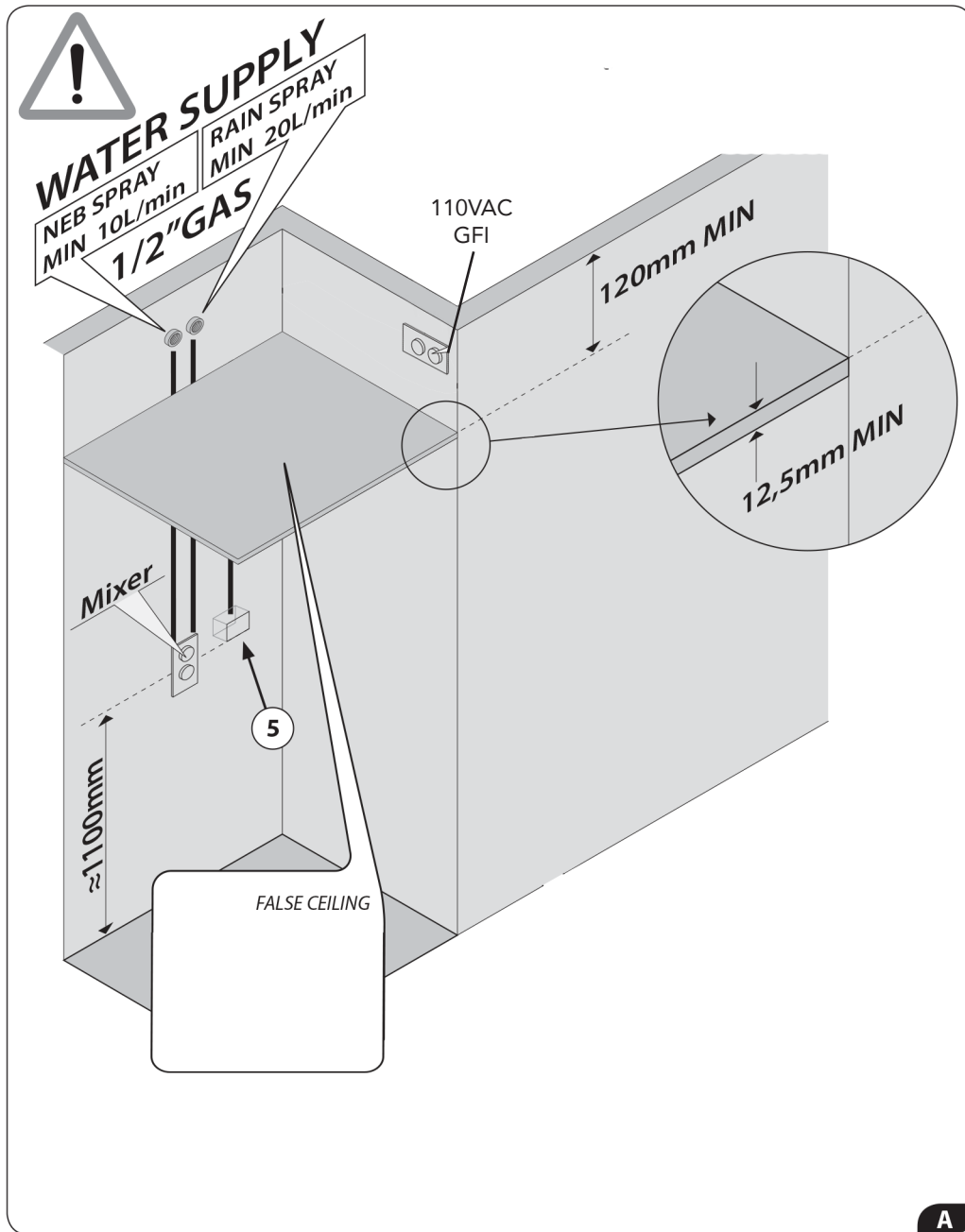
GB Parts

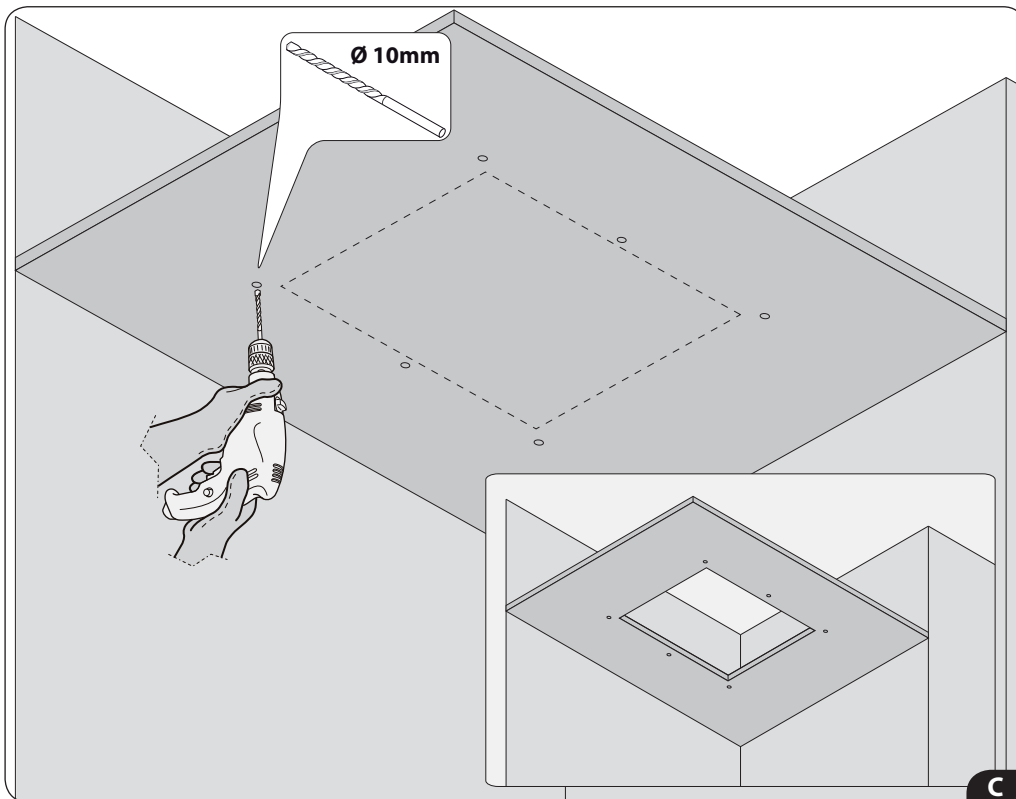
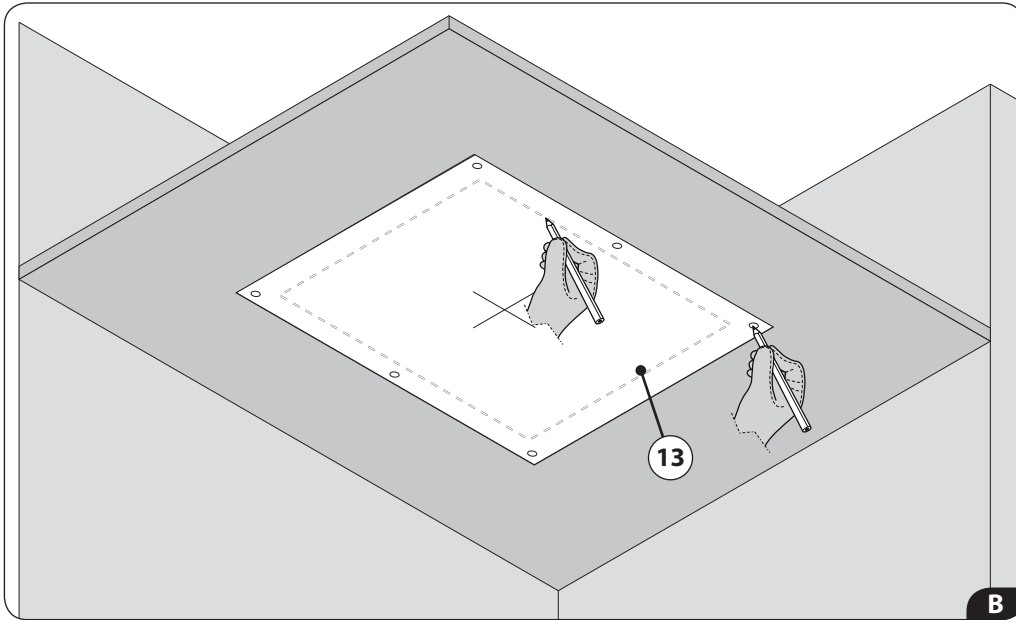
1. Stainless steel shower head
2. LED
3. IP66 / IP67 electronic board
4. Quick coupling connector to shower head
5. Recessed enclosure
6. Control keypad with 3m cable (other lengths available on request)
7. Connector with fuse
8. 7V connection cable - 5m long (other lengths available on request)
9. Power supply unit
10. Flexible hose 100 cm ½" F X ½" F
11. False-ceiling plugs
12. Screws
13. Template
14. Adaptor connection ½" M x ½" M
15. Hex key with grub screws
16. Rubber nozzles (spare)
17. Chrome plate
18. Rosette
19. Seal
20. Flexible hose for NEB jet

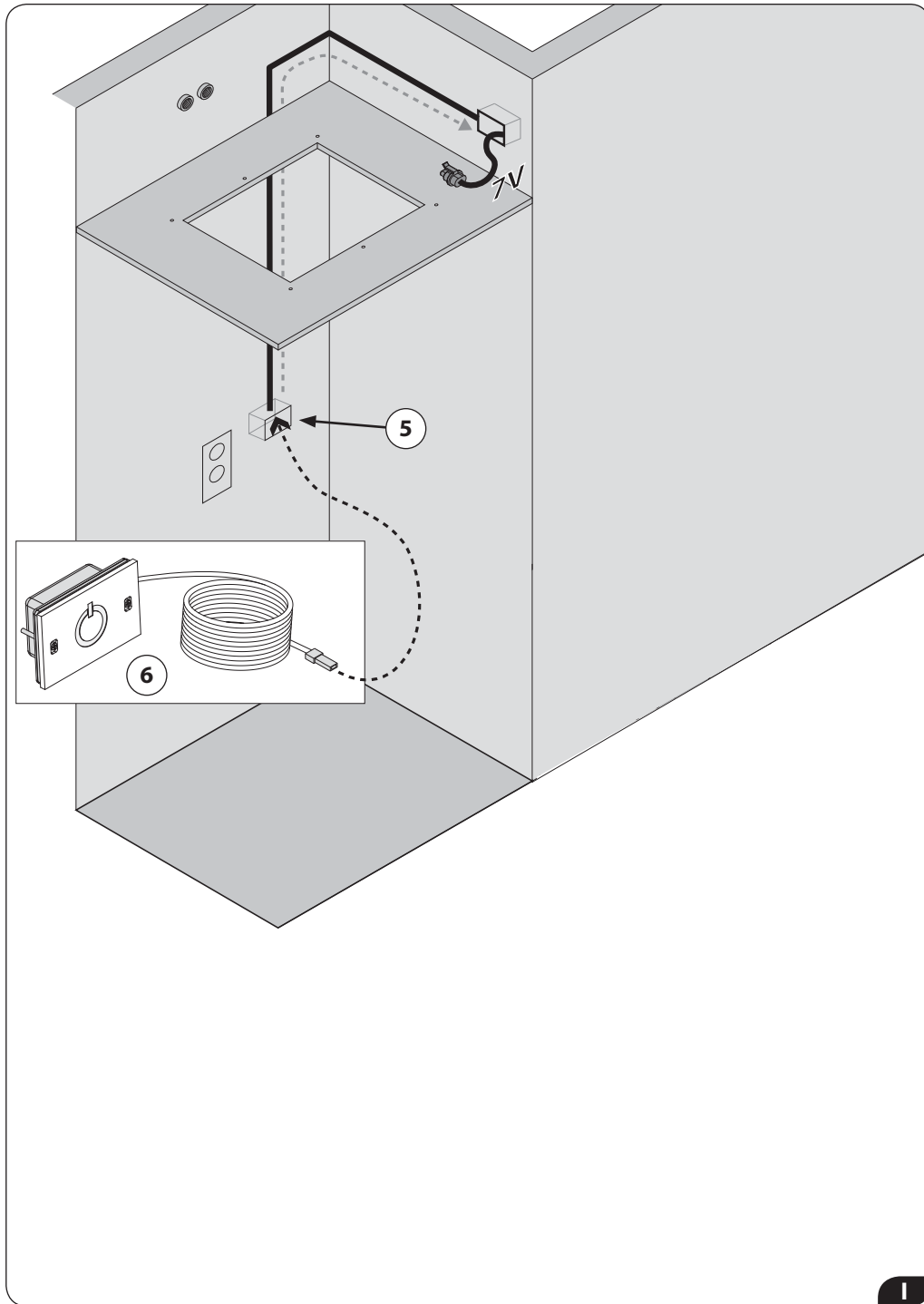
GB ELECTRICAL EQUIPMENT *Technical specifications*

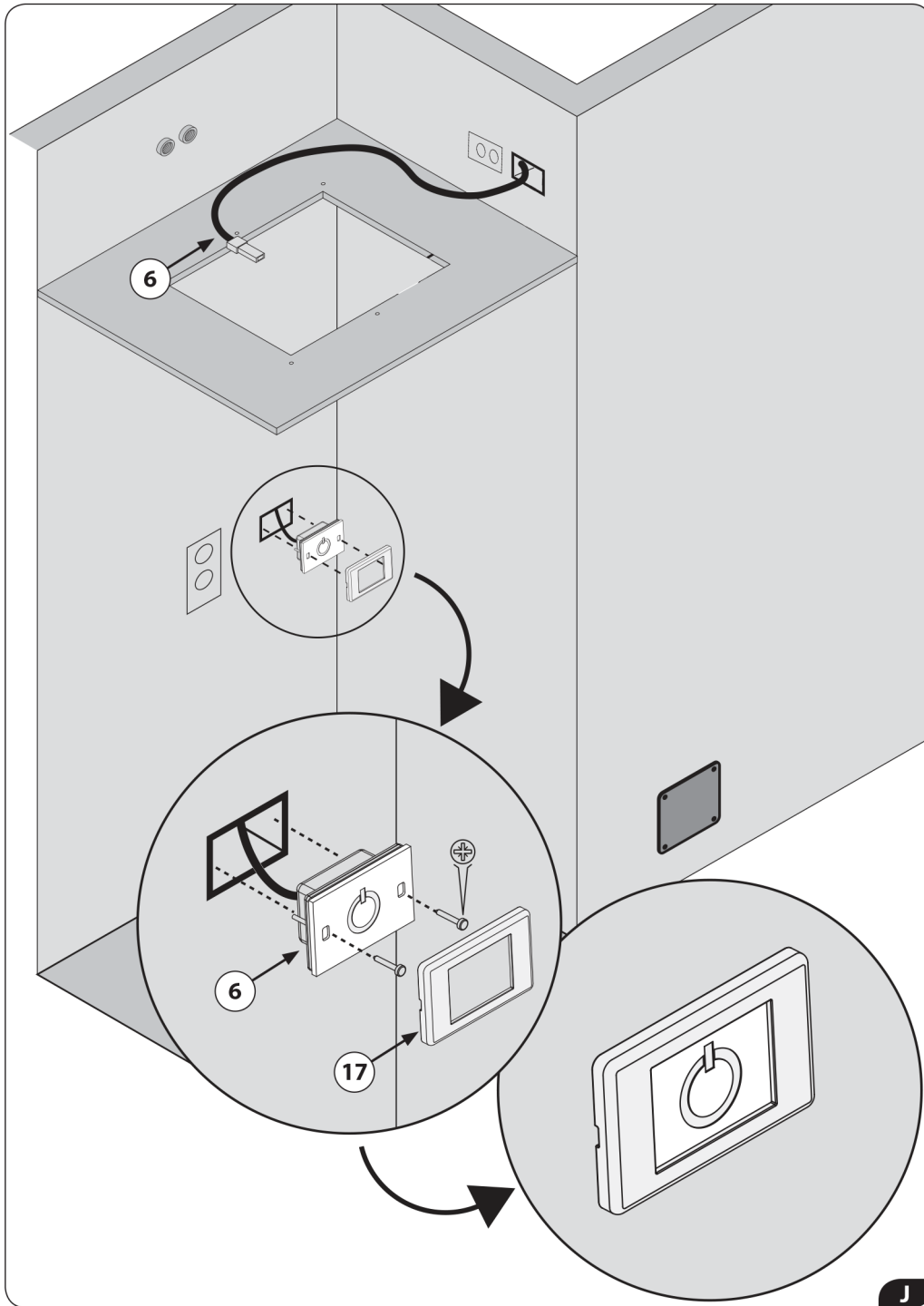
Electric connection	110VAC
Electric cable (supplied by customer)	 External cable diameter: max 8.5mm
Dream Rect. Lights 500x400 mm/570x470 mm	12 low voltage LEDs
Dream Rect. Lights 400x300 mm/470x470 mm	4 low voltage LEDs
Dream Cube Lights 400x400 mm/470x470 mm	10 low voltage LEDs
Dream Cube Lights 300x300 mm/370x370 mm	4 low voltage LEDs
Dream OKI Lights Ø 400 mm/Ø470 mm	8 low voltage LEDs
Dream OKI Lights Ø 300 mm/Ø370 mm	4 low voltage LEDs
Safety Transformer	110VAC to be installed outside the safety area (in compliance with standard DIN VDE 0100, part 107 – according to prescription CEI 64/8)
Grade of protection	
Safety mark	

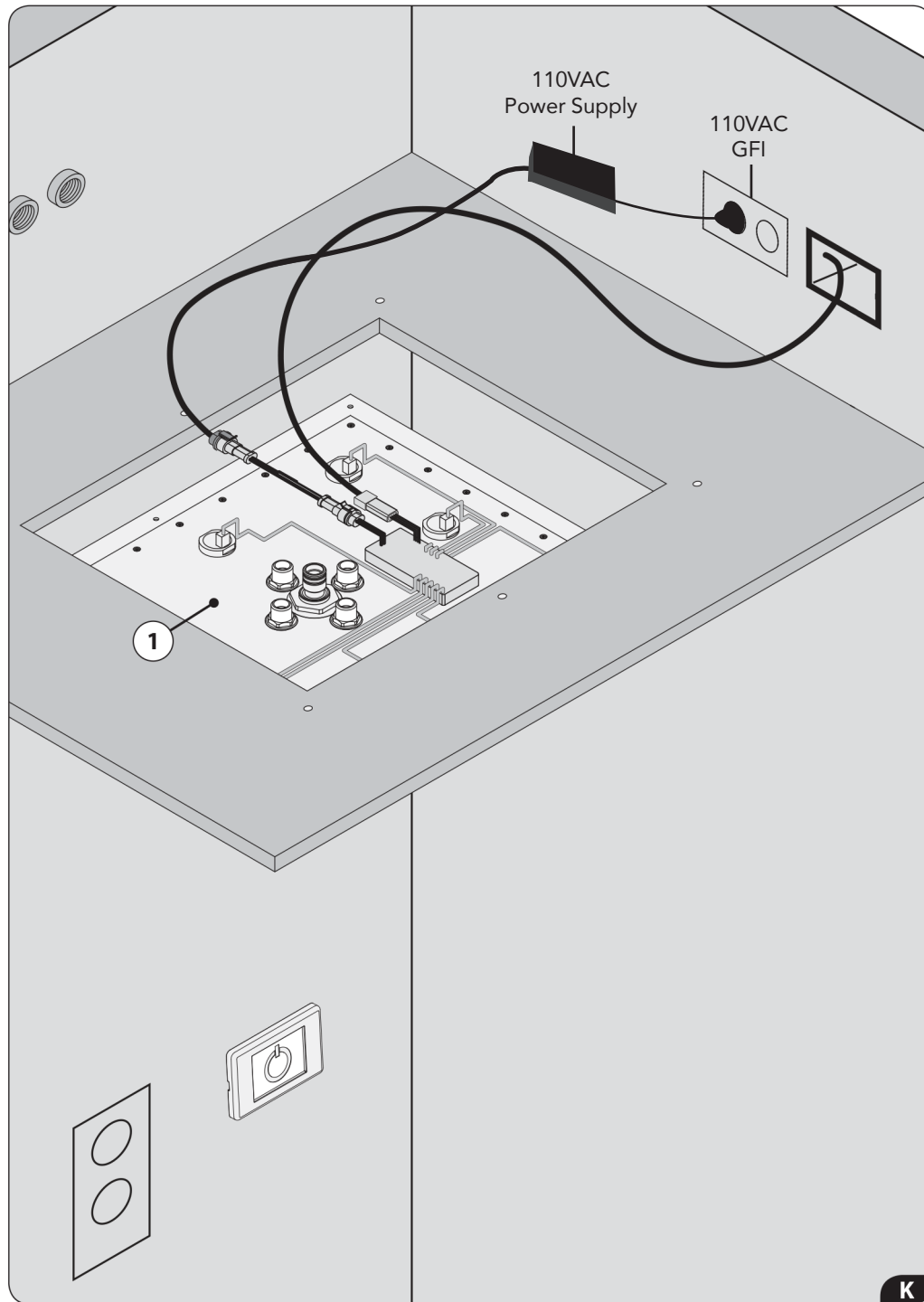
The electrical systems must be carried out by a qualified technician in accordance with the national and international laws in force.
If no commands are sent to the system, a time-out function automatically shuts the system off after approx. 30 minutes.

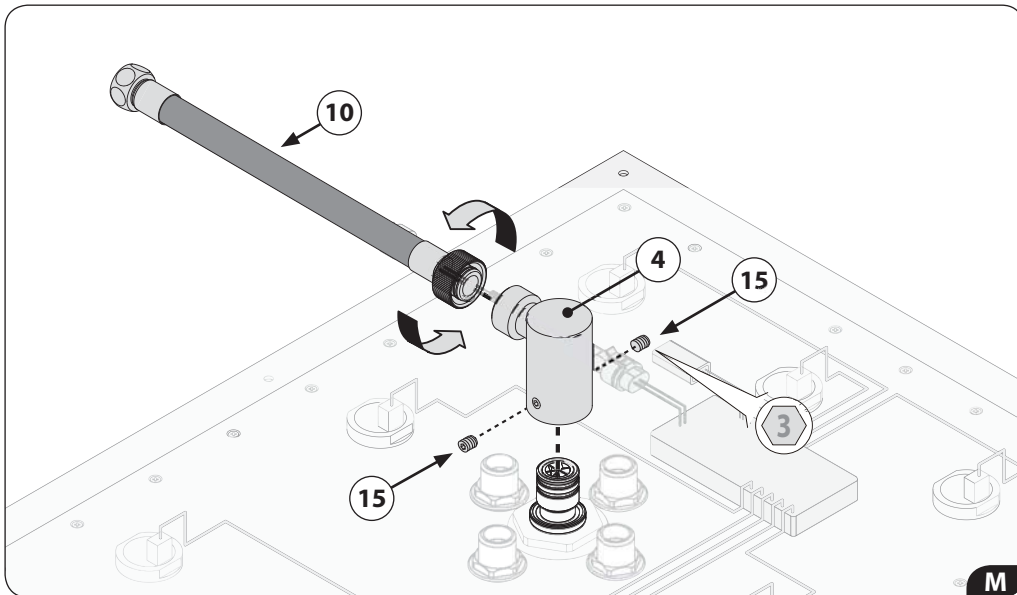
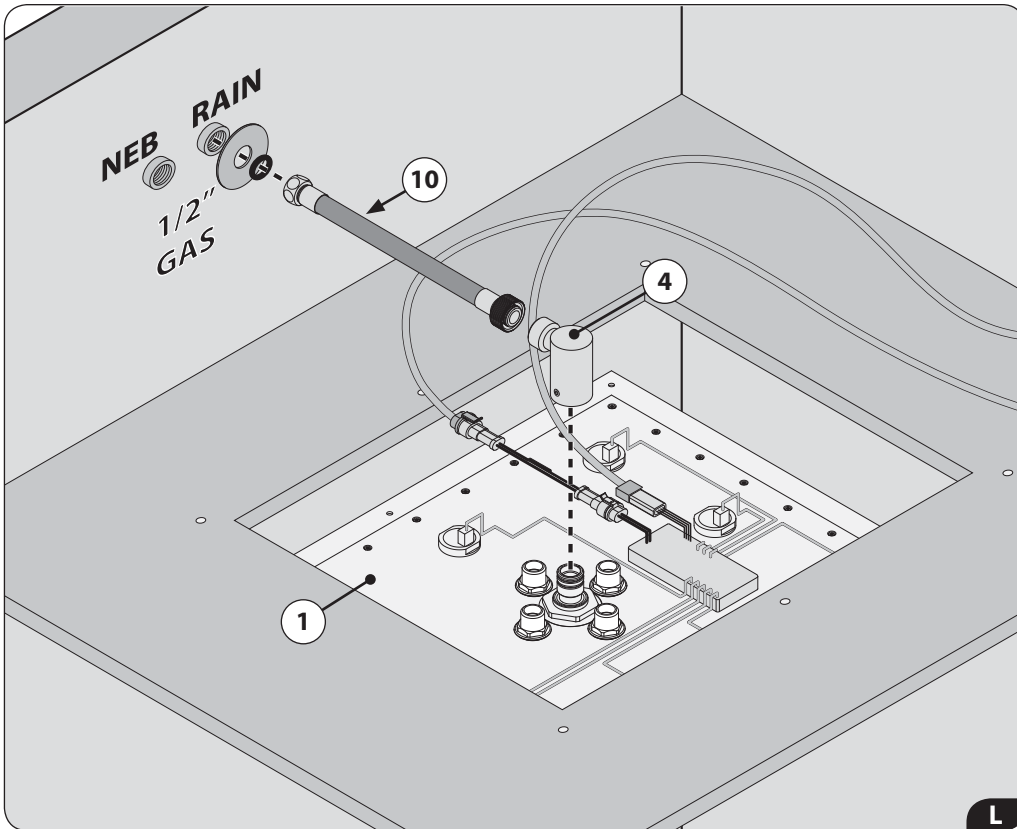


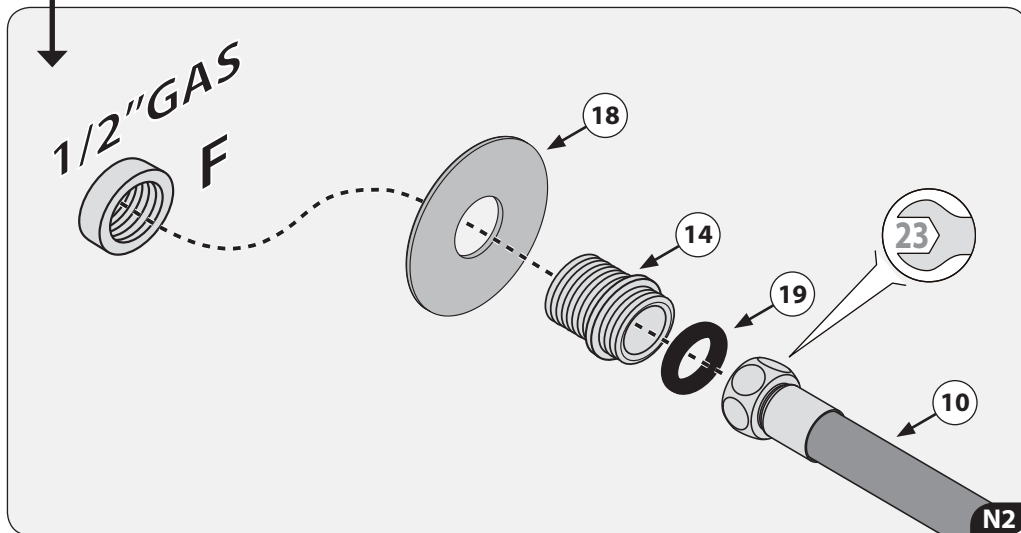
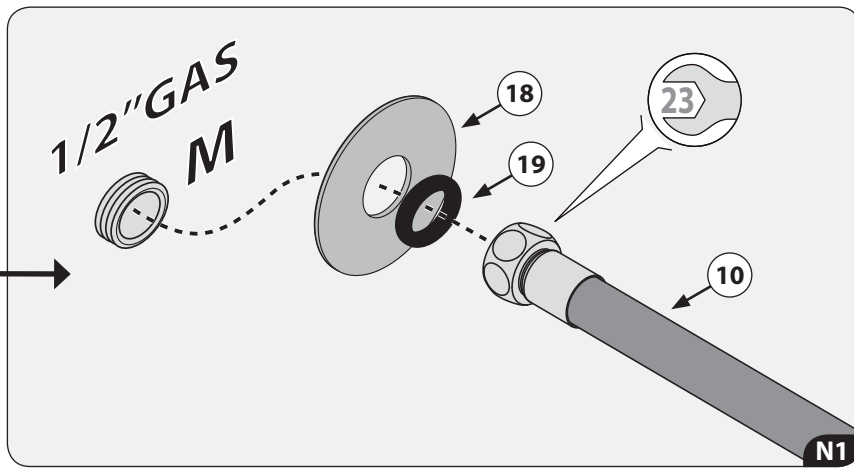
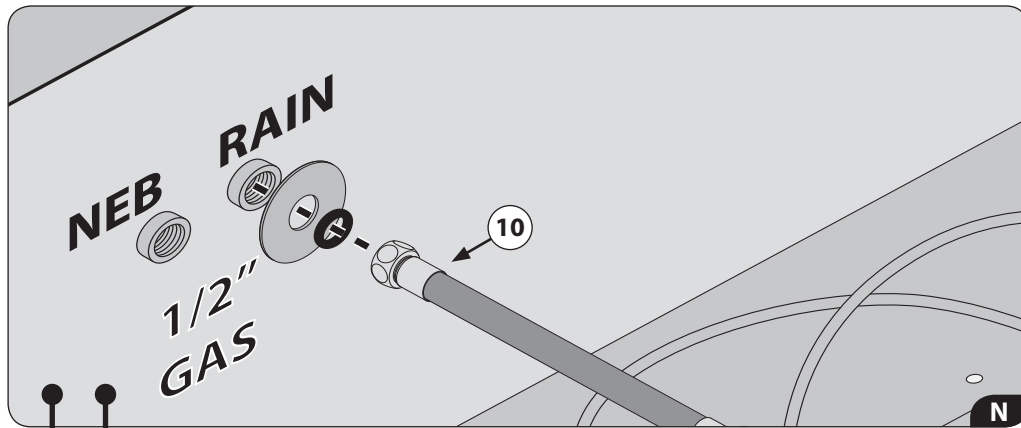


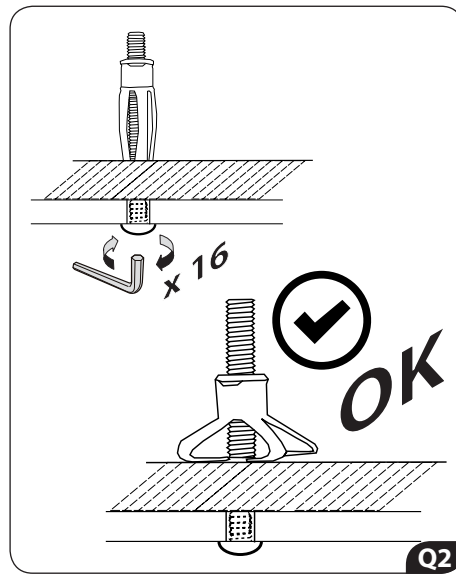
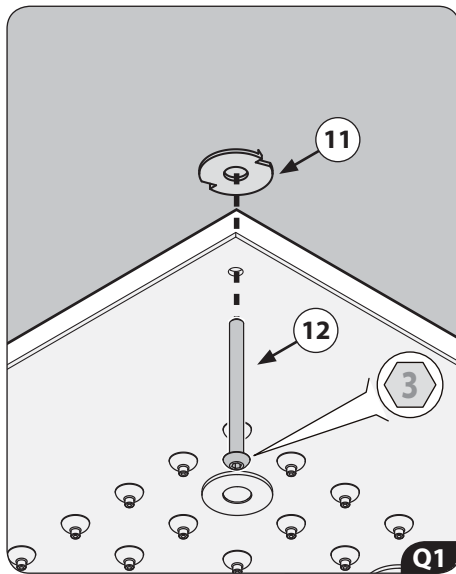
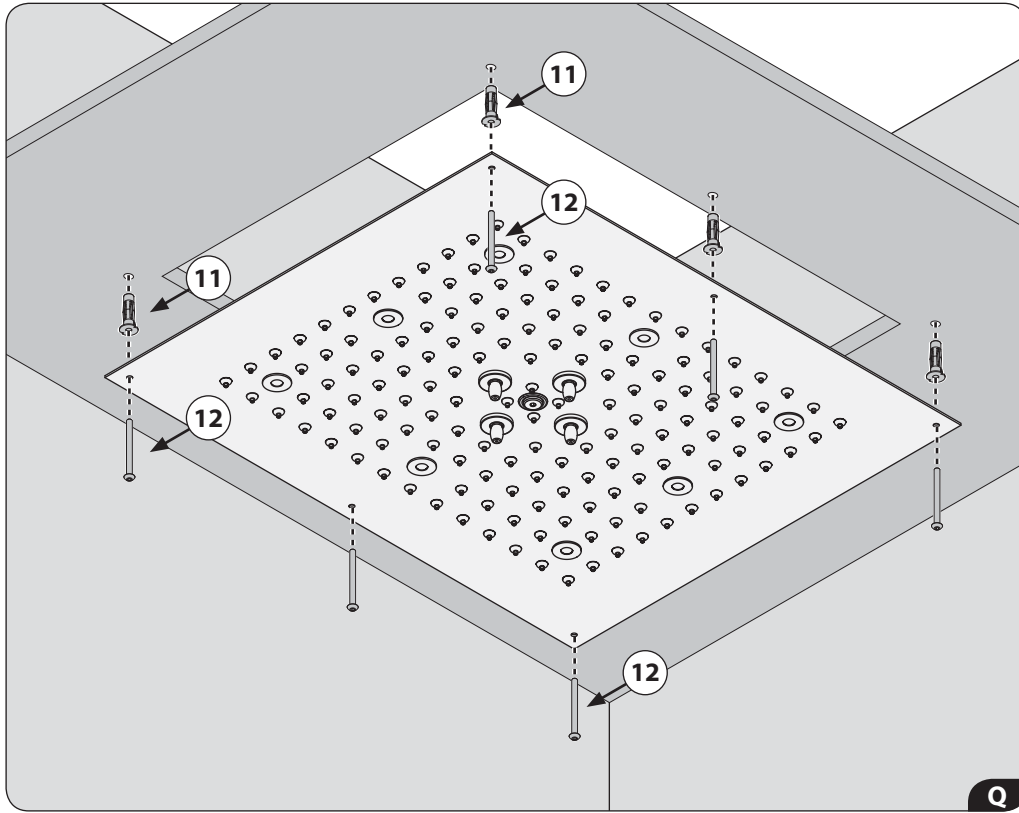












HOW IT WORKS

The system can be set to come on automatically when water begins to flow through the showerhead or controlled manually using a control keypad.

If set to automatic ›

as soon as the water begins to flow, the chromatherapy cycle will be activated automatically. It will switch off automatically when the flow of water to the showerhead stops.

If set to manual control ›

it is possible to start a chromatherapy cycle even if no water is passing through the showerhead. You can also use the keypad to lock the chromatherapy cycle on any one of the eight colors. The lock will remain active until the system is switched off.

When set to manual ›

the keypad controls the chromatherapy system as follows:
press once to activate the cycle by changing the color. Press a second time to lock the color being displayed. Press a third time to switch the system off.

The system also allows you to use the keypad in a combination mode. For example, you can set the cycle to come on automatically with the flow of water and then lock a color using the keypad. Using the keypad will disable the automatic mode, and you will need to use the keypad from then on to control the system.

The time-out function ensures that the appliance switches itself off after around 30 minutes of no keypad activity when in manual mode.

To learn more about JACLO's warranty, please visit [**jaclo.com**](http://jaclo.com)