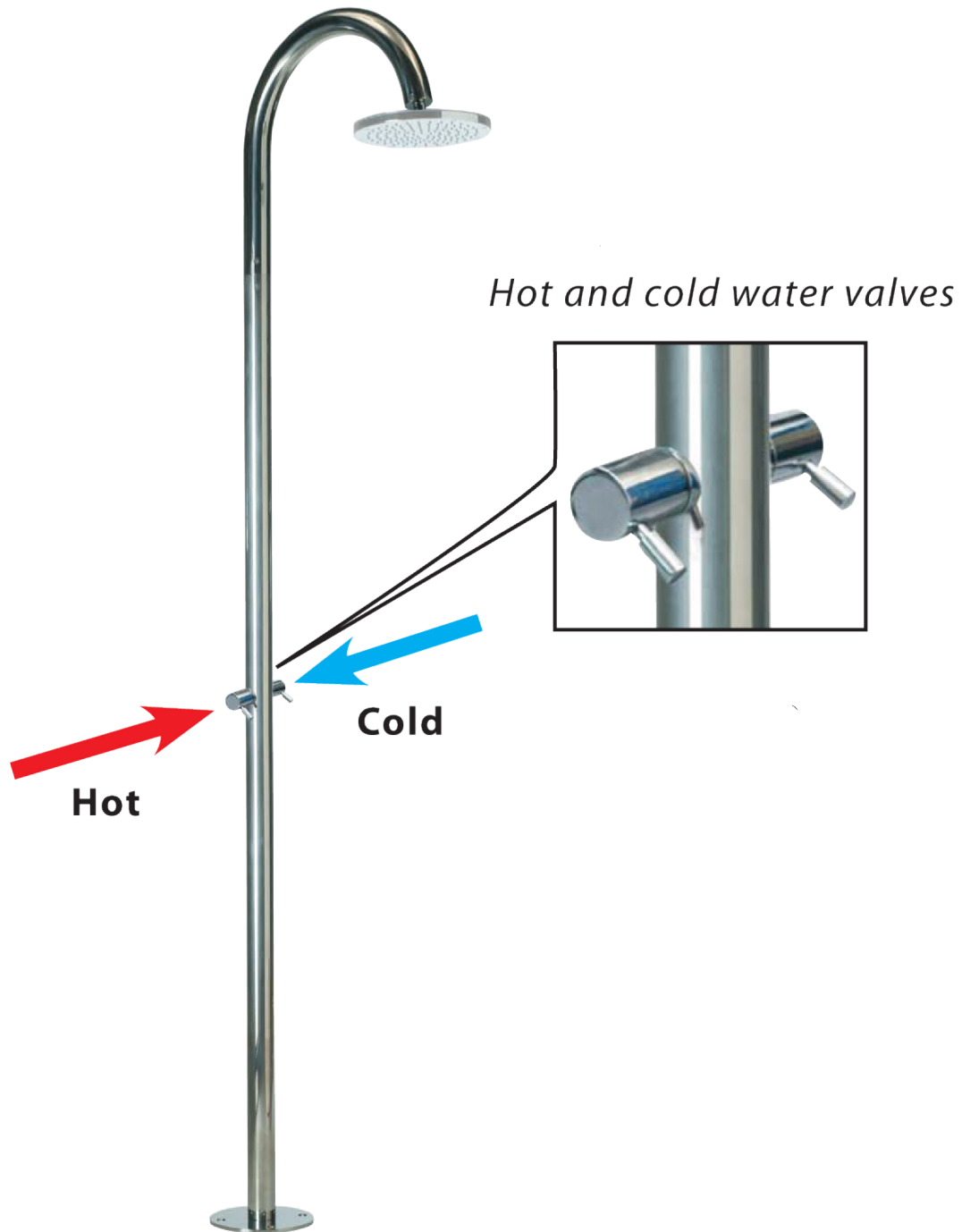
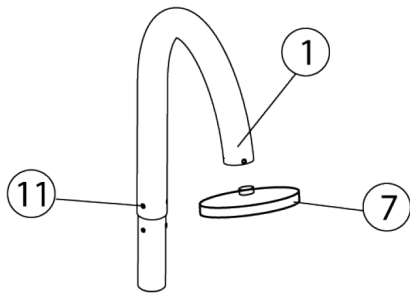


INSTALLATION INSTRUCTIONS

Outdoor Shower
Part #: 1833

JACLO[®]
Confidence from start to finish.[®]





Components

- 1) Curved shower pipe
- 2) Straight vertical shower pipe
- 3) Base
- 4) M8x40 mm screws (4 pieces)
- 5) Supply flexible hose
- 6) M4 Screws (8 pieces)
- 7) Shower head
- 8) Threaded nut
- 9) Concealed inlet box
- 10) Hot and cold water inlet flexible hose
- 11) M4 adjusting/fixing screw (3 piece)
- 12) Hot and cold water Valves

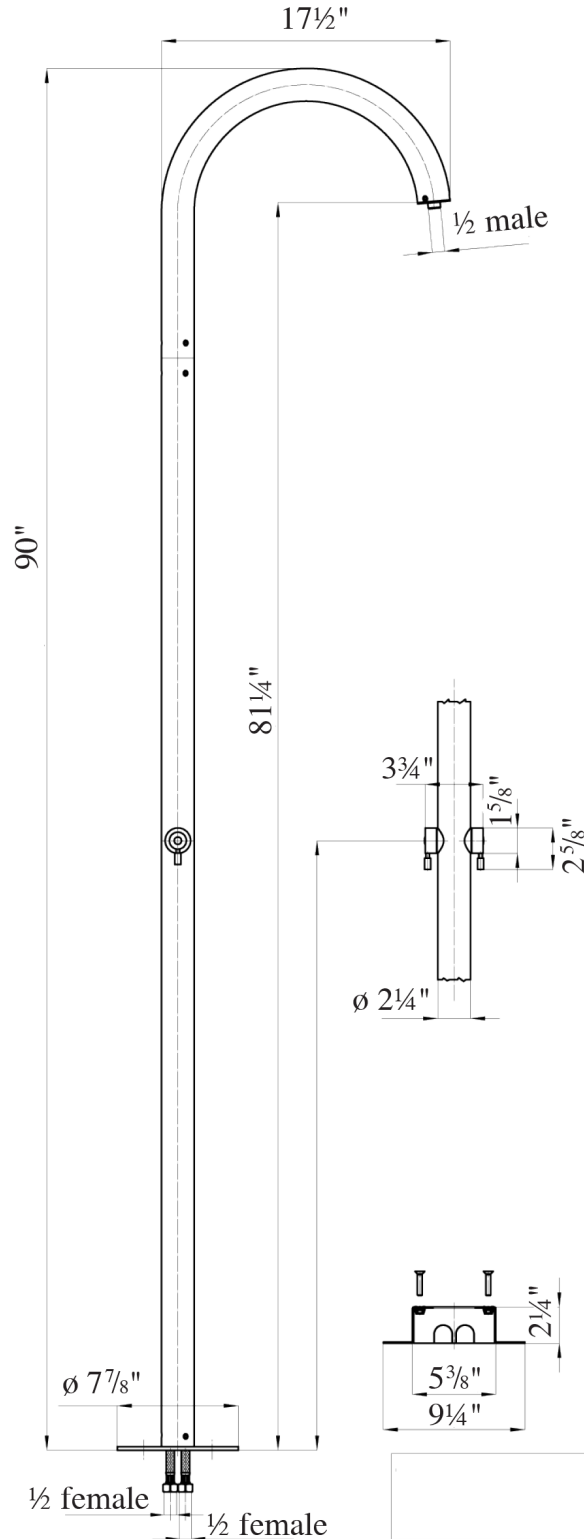
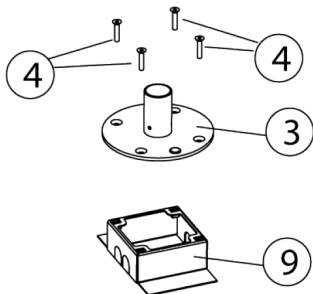
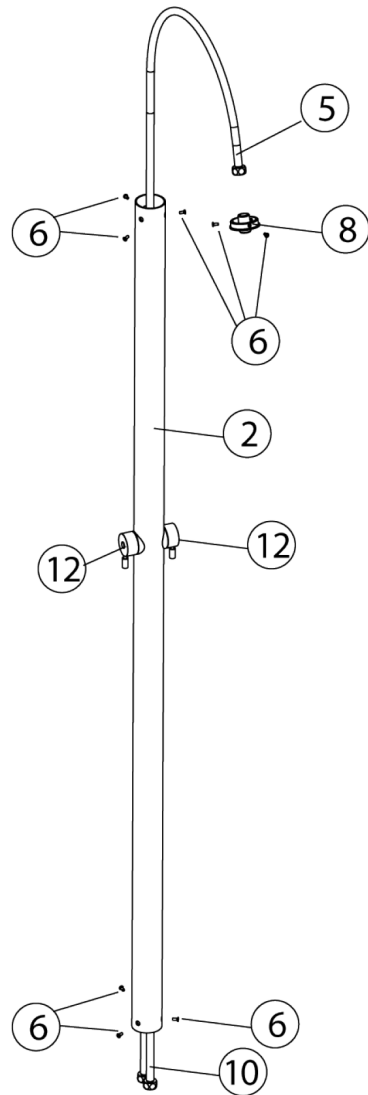


Fig.A1

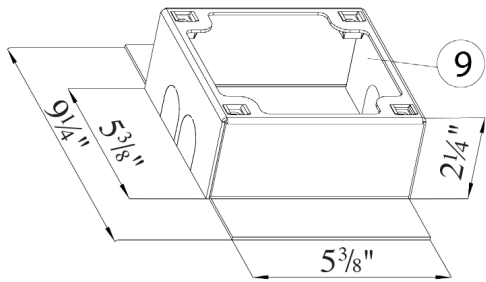


Fig.A2

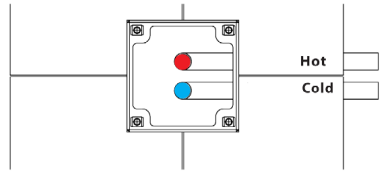


Fig.A3

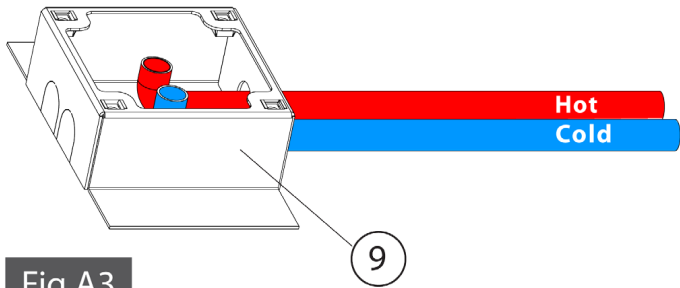


Fig.A

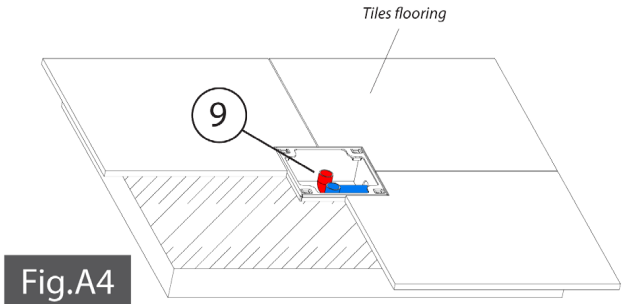


Fig.A4

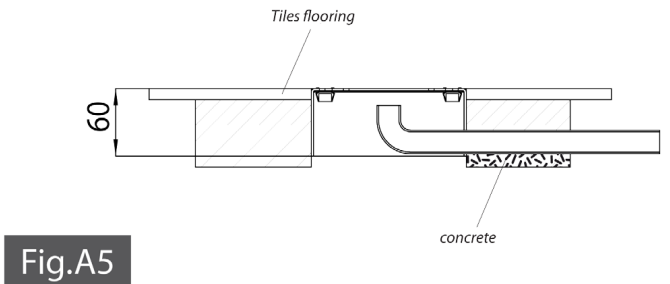


Fig.A5

Fig.D

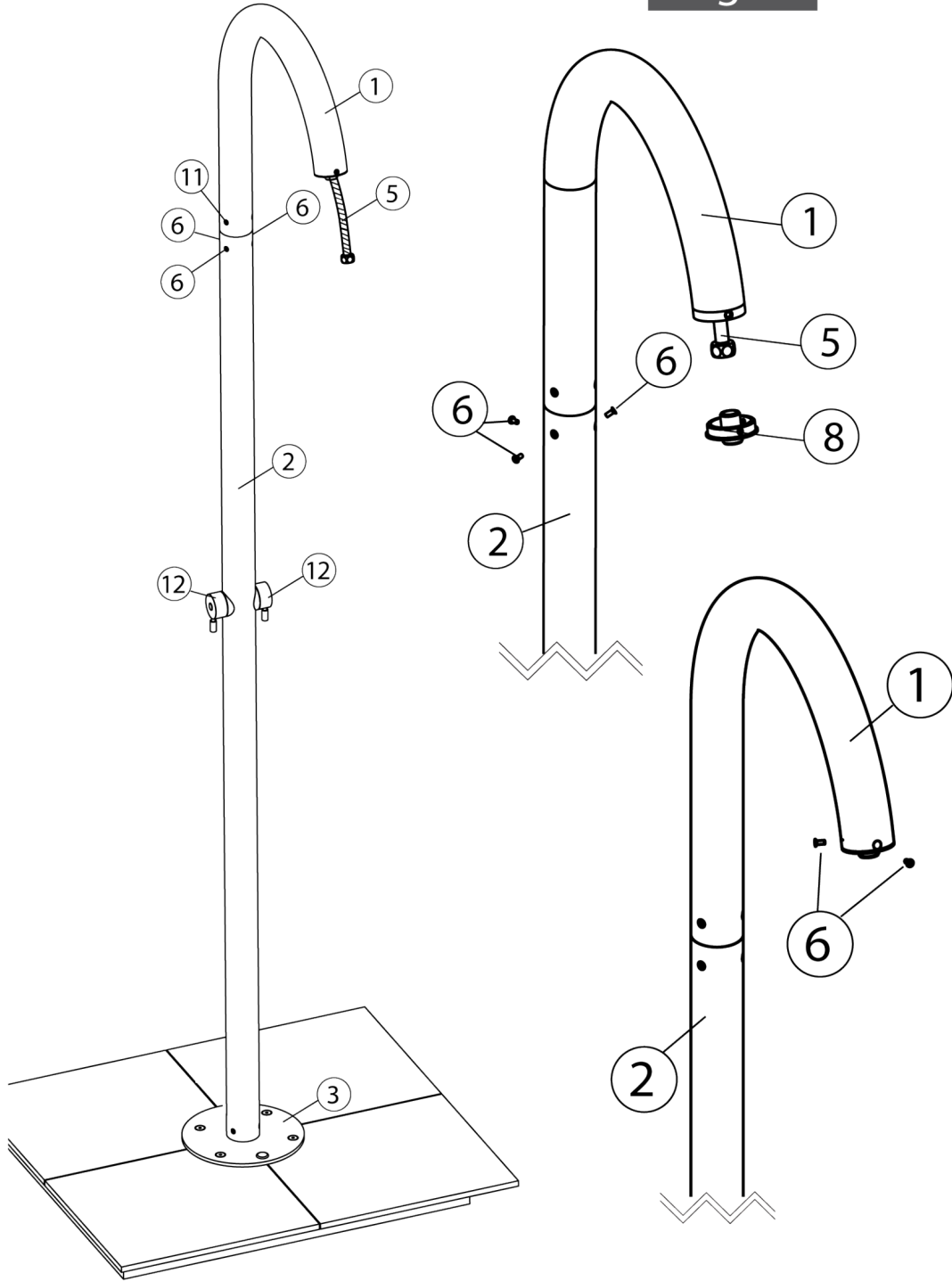
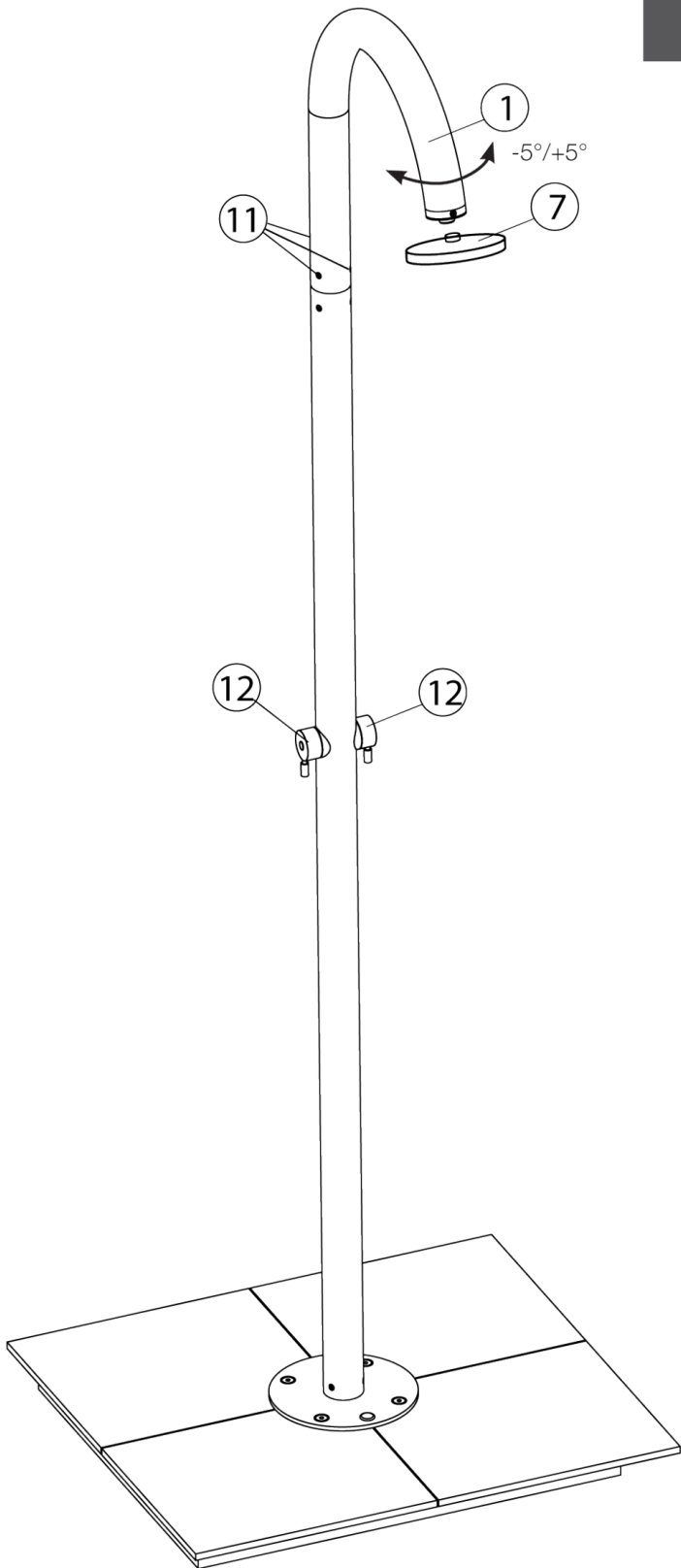


Fig.E



INSTALLATION INSTRUCTIONS

Important!



To ensure the correct installation of the shower column it is necessary to decide in advance with planners / installers the desired direction of the shower head. In fact the final position of the shower column is determined by the positioning of the concealed inlet box (9) and fixation of the base (3) as shown in (Figure B) of this leaflet. Arrange plumbing at the desired location accordingly.

Installation

- Arrange the hot and cold water plumbing. (Figure A)
- Install the concealed inlet box (9), aligning the two hot and cold water pipes. (Figure A1, Figure A2, Figure A3)
- Caution! Complete the flooring (Figure A4), making sure that the upper edge of the concealed box (9), is perfectly aligned to the floor level (Figure A5).
- Preassemble the straight pipe (2) and the base (3) pulling the hot and cold water inlet hoses (10) out from the bottom of base (3). (Figure B)
- Caution : Assemble the base (3) with the vertical tube (2) according to the desired shower jet direction (Figure B). Remind that the M4 screw hole (a) is opposite to shower head direction.
- Connect the two hot and cold inlet flexible hoses (10) to corresponding hot and cold water pipes in the concealed box (9). (Figure C).
- Secure the base (3) with the M8x70 mm screws (4) (Figure C). Pay attention that the M4 screw (a) is opposite to the desired shower head position
- Assemble the curved shower pipe (1) with straight pipe (2) pulling the supply flexible hose (5) out from upper curved pipe. Secure the two pipes at their connecting point with screws (6), (Figure D)
- Screw supply flexible hose nut (5) to the threaded nut (8) and secure it to shower pipe outlet (1) with screws (6) (Figure D).
- Align the straight and curved tubes (1) & (2) (an adjustment range $\pm 5^\circ$ is allowed) and tighten the M4 adjusting screws (11) (Figure E).

To learn more about JACLO's warranty, please visit [**jaclo.com**](http://jaclo.com)