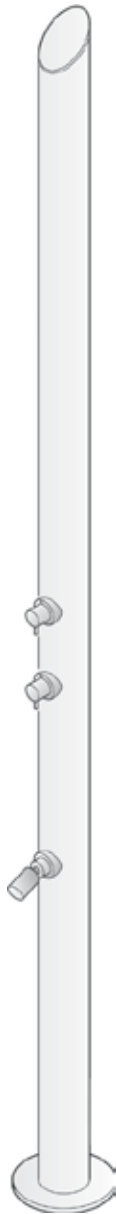


# INSTALLATION INSTRUCTIONS

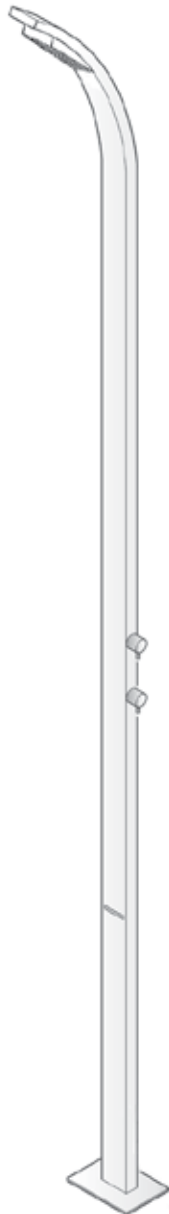
## Outdoor Shower Columns

Product Number: Aqua Adagio (1800 & 1805) & Arc Column (1900 & 1905)

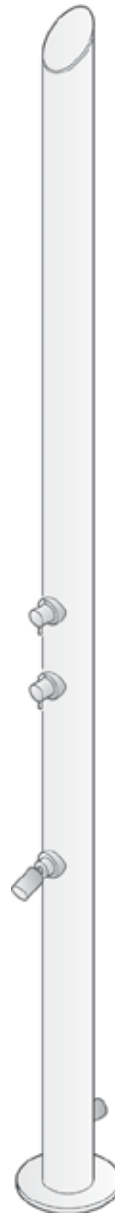
Please read instructions carefully before beginning the installation.



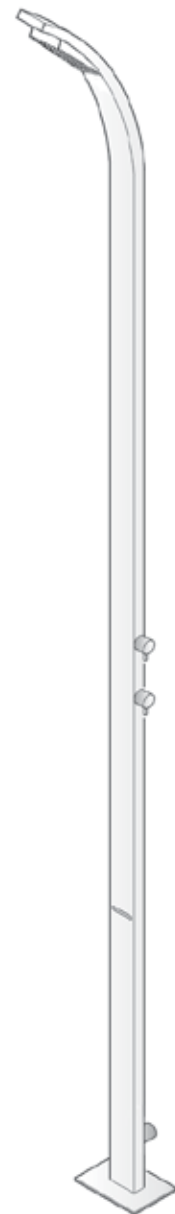
**1800**



**1900**



**1805**



**1905**

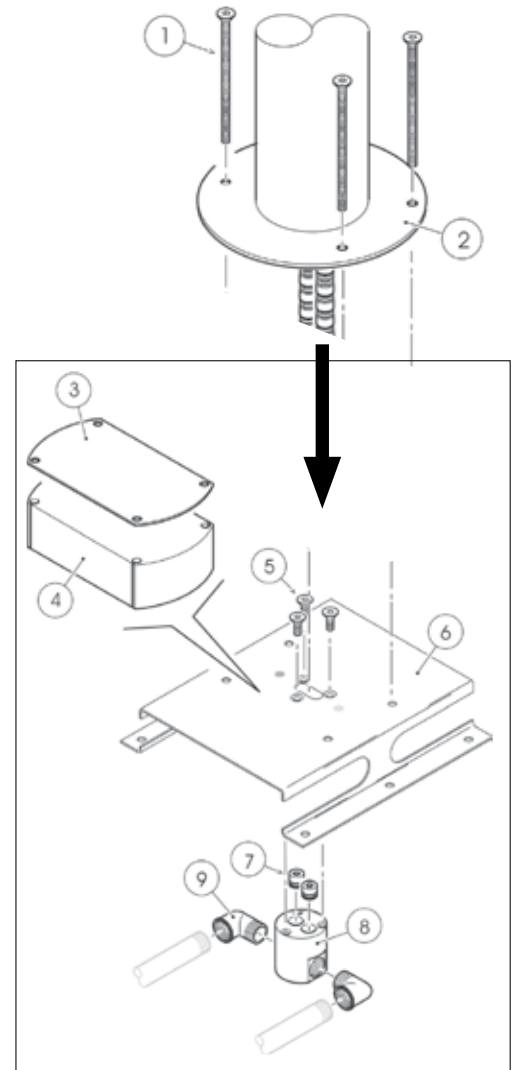
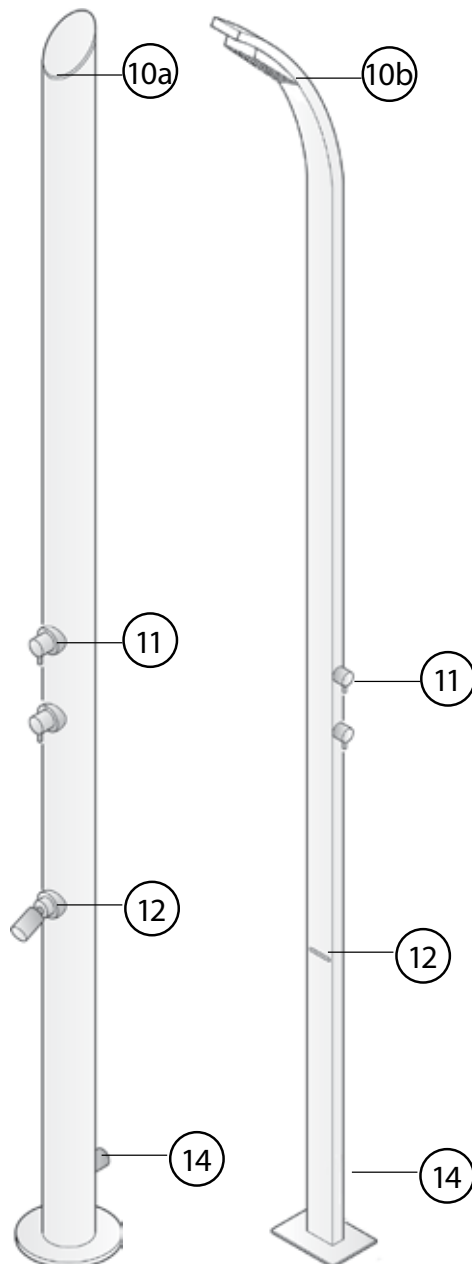
## COMPONENTS

- 1) Screws
- 2) Swimming pool shower column
- 3) Cover
- 4) Polystyrene plug
- 5) Screw for fixing connector
- 6) Ground bracket
- 7) Protective plugs
- 8) Fixing connector
- 9) Curved fittings
- 10a) Waterfall jet diffuser
- 10b) Easy-Clean self-cleaning rainfall jet diffuser
- 11) 2 control valves with progressive cartridges
- 12) Foot wash nozzle
- 13) Screws for polystyrene plug (3+4)

### Renovation column only:

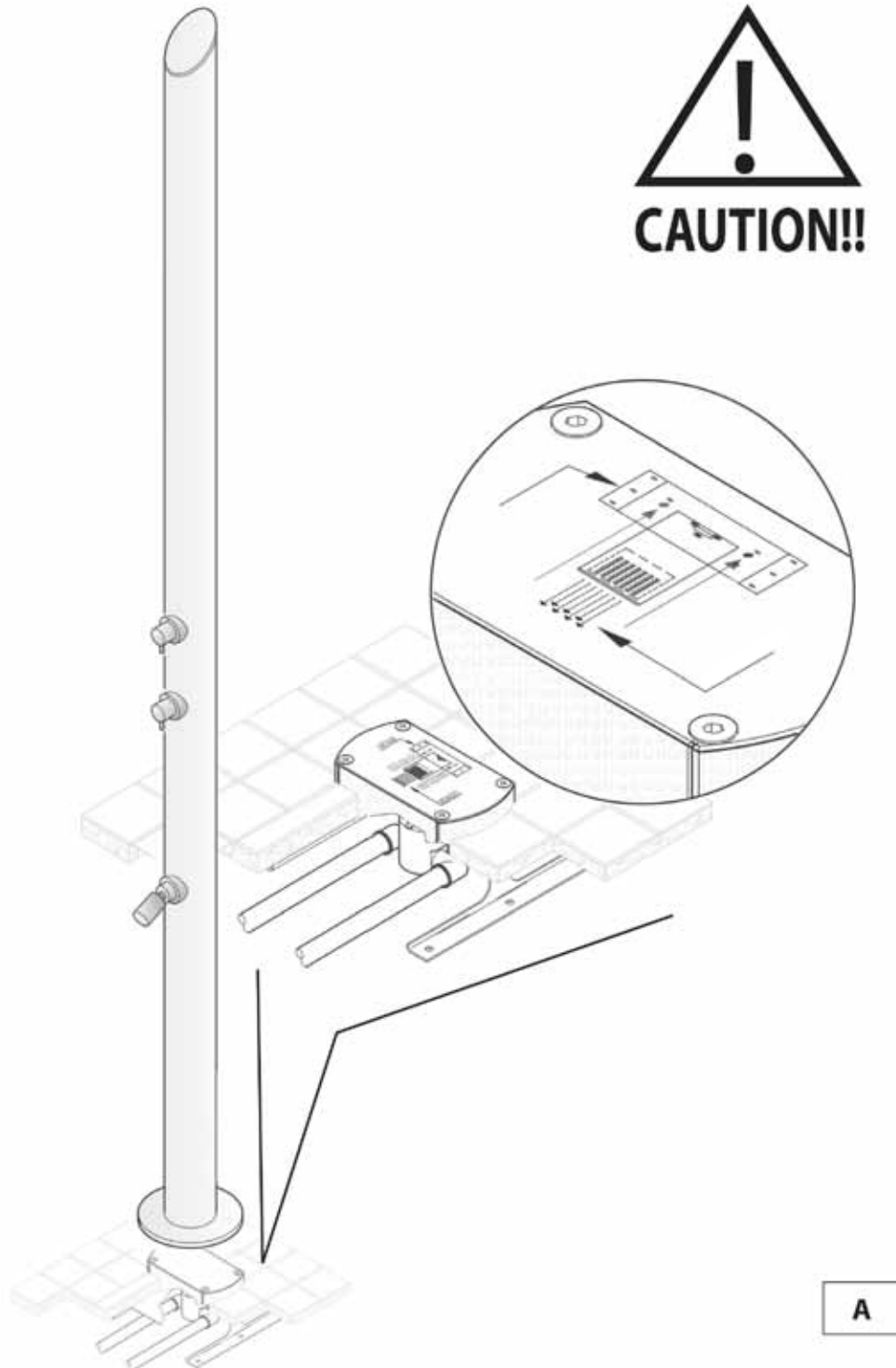
- 14) 3/4" M attachment for garden hose
- 15) Screws and plugs

**NB: Important! Make sure that you put aside those components needed to maintain the column during the winter months (3, 4, 7, 13) during assembly and keep them somewhere safe.**



## WARNING

*In order to install the outdoor shower column correctly (grounded in the earth), you must first check that your designers/installers know which direction you want the water spray to come from (Fig. A). This is because the direction in which the shower column is facing at installation is determined by the direction of the fixing connector, as indicated on the label stuck to the cover (3). It is therefore important to accurately define the position and direction of the fixing connector before proceeding to the subsequent stages.*



## INSTALLATION

**Fig.B:** Connect the curved pipes (9) to the supply system.

**Fig.C:** Make sure that the support is perfectly level.

**Fig.D:** Complete the paving, making sure that you keep the minimum distances shown in the image.

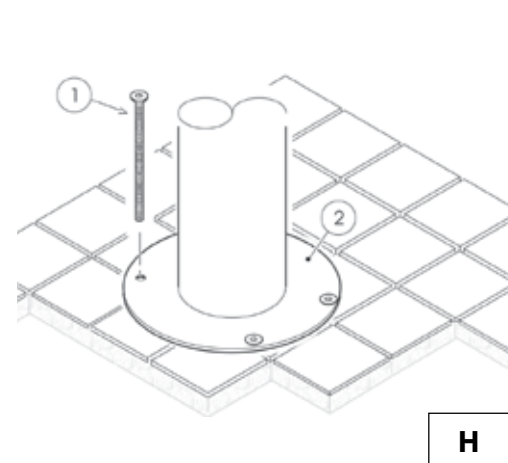
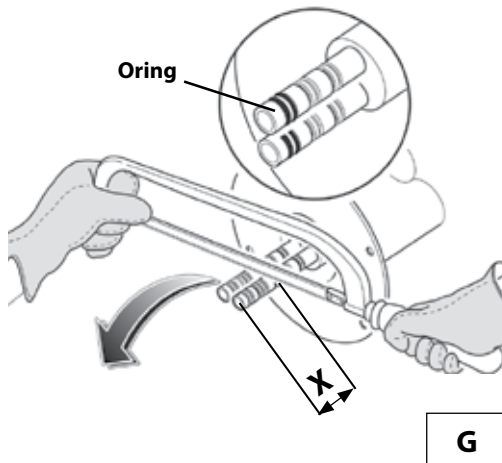
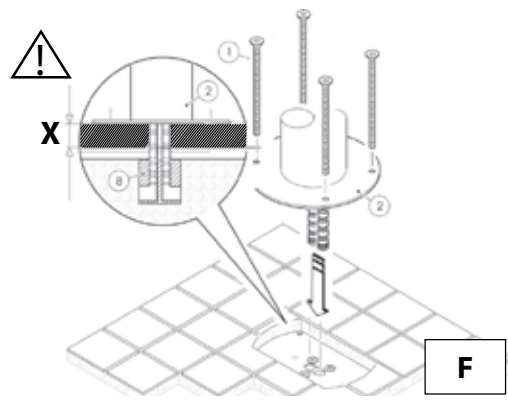
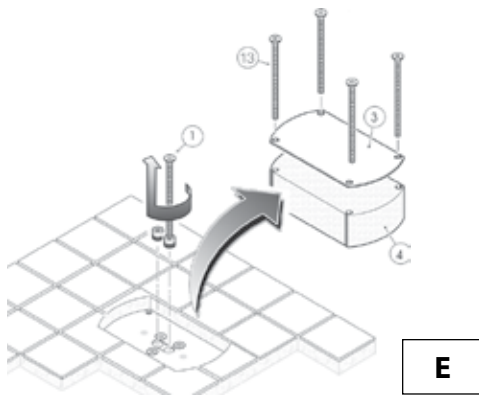
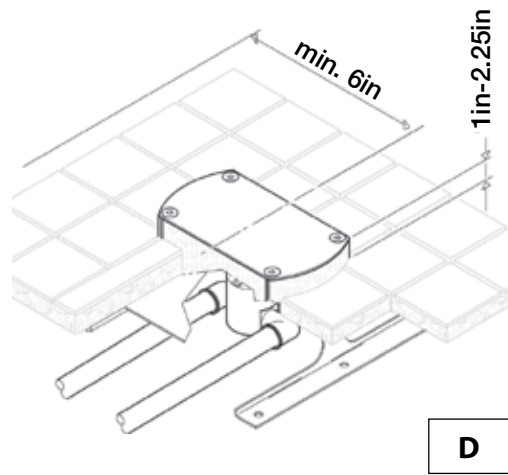
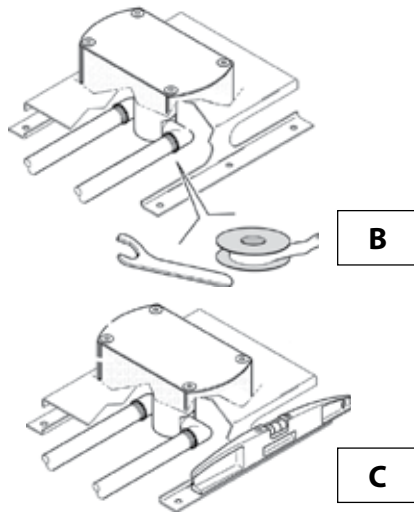
**Fig.E:** Remove the polystyrene (4) and cover (3), unscrewing the four screws (13). Then remove the two plugs of the base using one of the screws.

Flush out the system to make sure that any impurity in the pipes is removed.

**Fig.F:** Insert the column (2) into the base using (8), checking to see if there is any gap between the column base and the pavement (see X).

**Fig.G:** If there is a gap, shorten the attachments by cutting them by as least as much as shown in X and reposition the O-Rings in the two most prominent places.

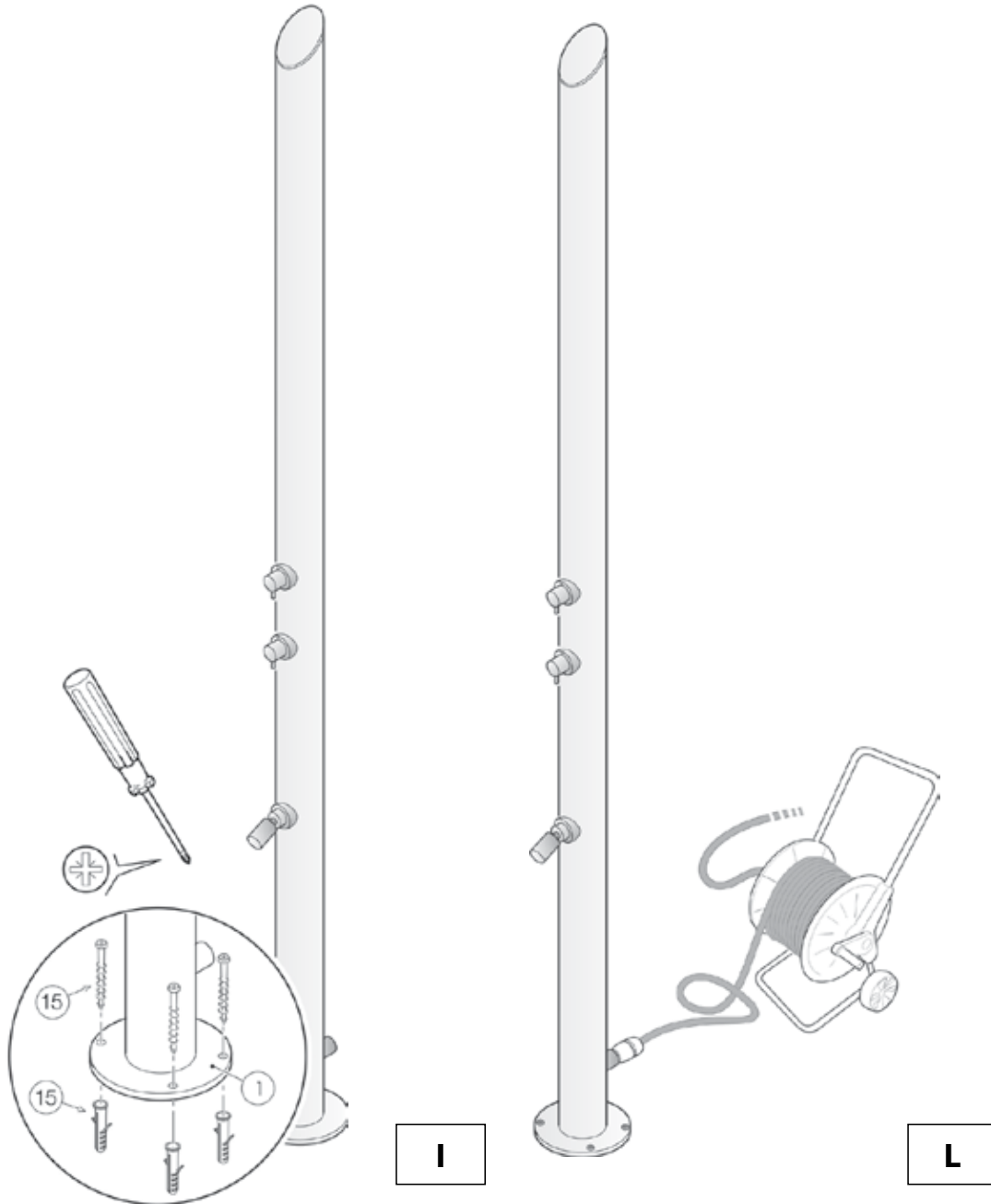
**Fig.H:** Insert the column (2), check that it is perfectly rooted in the ground and fix it using the four screws (1) together with the fixing connector.



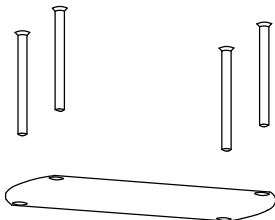
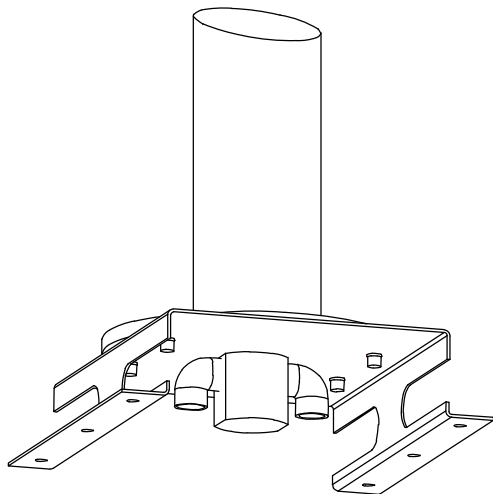
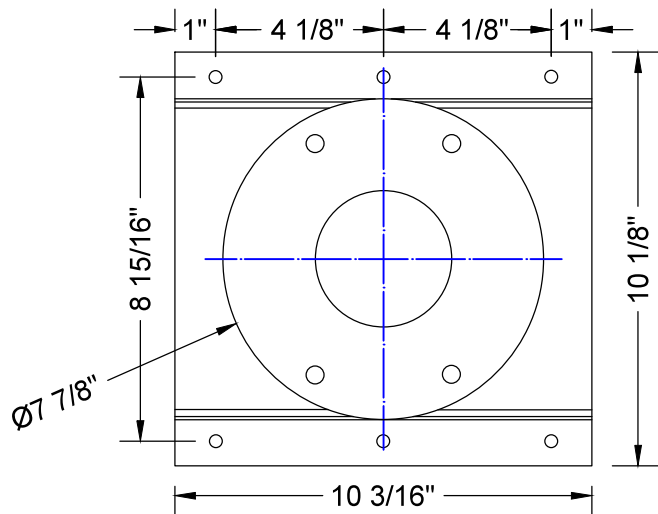
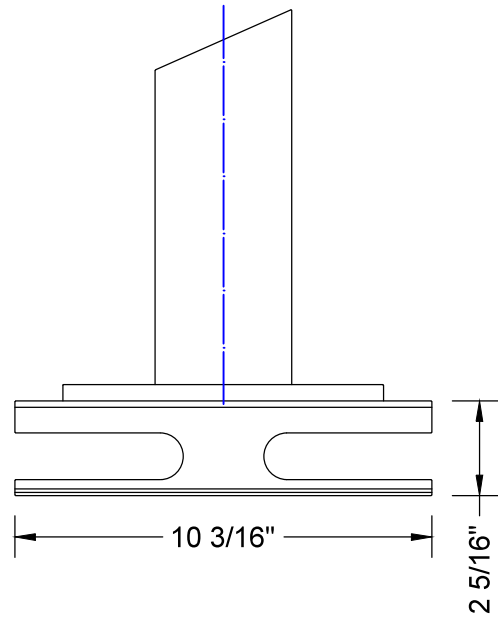
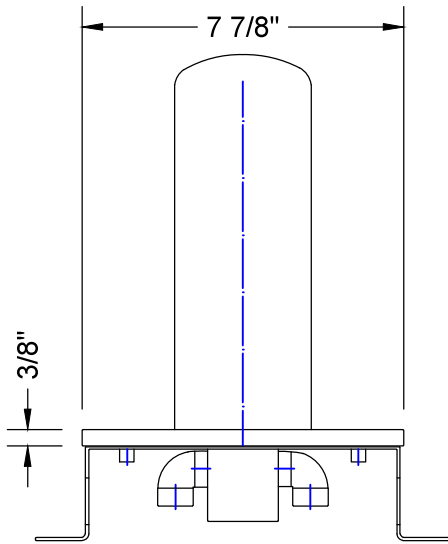
## INSTALLATION

**Fig.I:** Fix the column using the 4 screws and plugs (15) included in the pack.

**Fig.L:** Link the 3/4" M attachment to the garden hose.



# FLOOR BOX



**"JACLO INDUSTRIES PROPRIETARY INFORMATION"**

THIS DRAWING CONTAINS CONFIDENTIAL PROPRIETARY INFORMATION AND IDEAS BELONGING TO JACLO INDUSTRIES. DRAWING IS BEING DISCLOSED IN CONFIDENCE FOR A LIMITED PURPOSE AND MUST BE RETURNED UPON REQUEST. IT MAY NOT BE USED FOR ANY OTHER PURPOSE AND MAY NOT BE REPRODUCED, COPIED, OR DISCLOSED TO OTHER PARTIES WITHOUT THE PRIOR WRITTEN CONSENT OF JACLO INDUSTRIES.

**JACLO**

JACLO INDUSTRIES - 908-653-4433  
129 Dermody Street, Cranford NJ 07016

TITLE: FLOOR BOX			
DATE: 02/19/15	MATERIAL: TBD	FINISH: TBD	SCALE: .5:1
DWG. NO. FLOOR BOX			REV. 0

To learn more about JACLO's warranty, please visit [\*\*jaclo.com\*\*](http://jaclo.com)