

## INSTALLATION INSTRUCTIONS

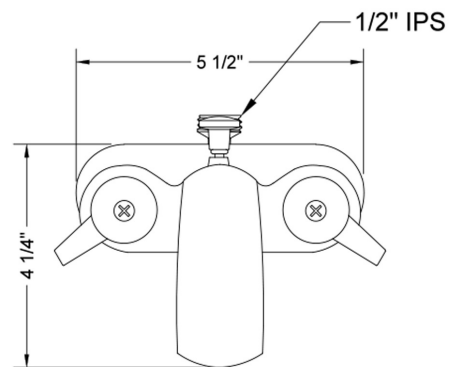
### 3/4" IPS Connection Tub Spouts

Part #: 2016, 2017

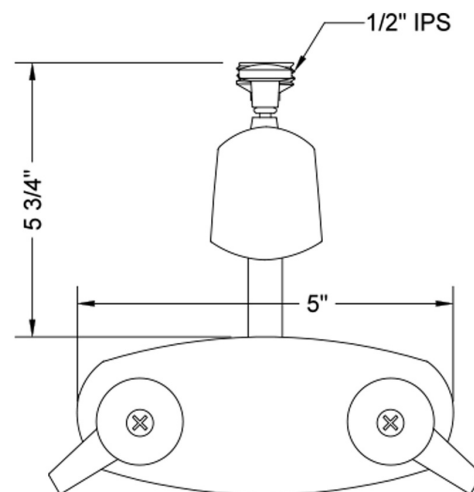
**JACLO**<sup>®</sup>  
Confidence from start to finish.™



2016



2017



## TUB SPOUT INSTALLATION

1. Secure spout to tub using lock nuts supplied.
2. Connect existing supplies to 3/4" straight thread pipe behind the hot and cold valves using appropriate sealant.

To learn more about JACLO's warranty, please visit [\*\*jaclo.com\*\*](http://jaclo.com)