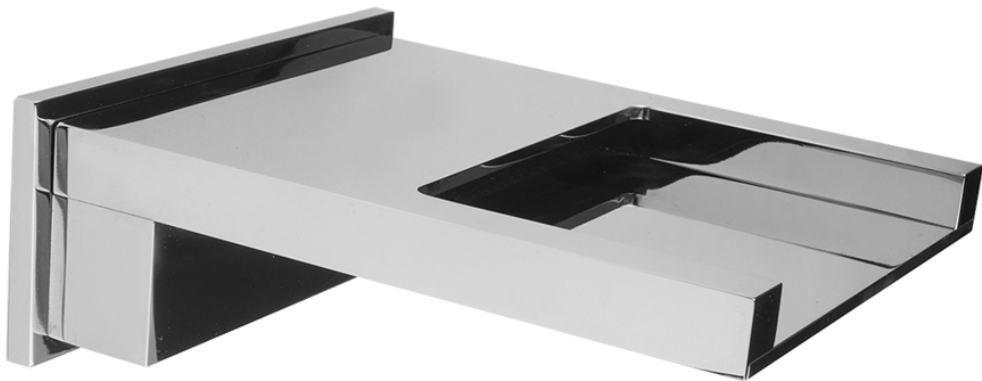


INSTALLATION INSTRUCTIONS

Cascada Pico

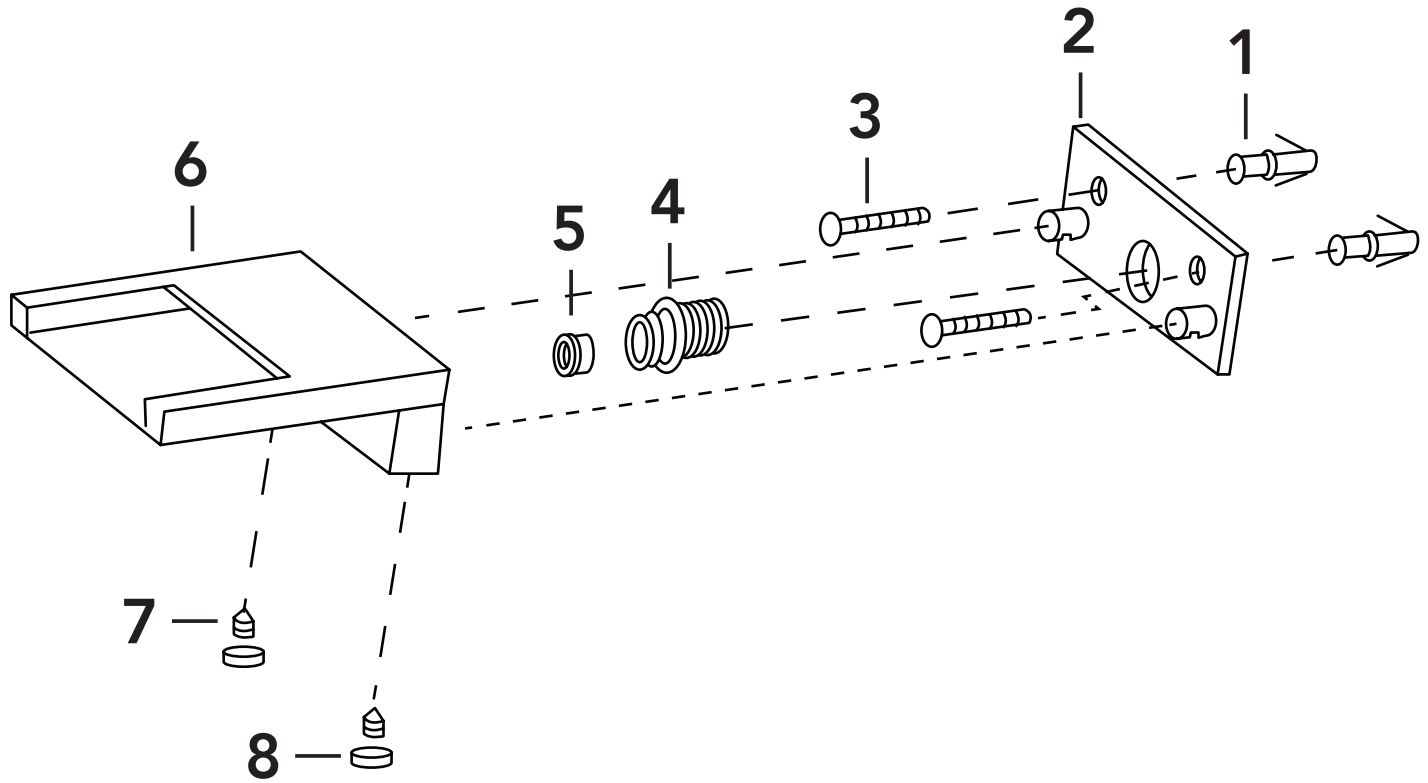
Part #: S176



RECOMMENDED TOOLS

3/16 Allen Key

PARTS



#	DESCRIPTION	QUANTITY
1	ANCHORS	2
2	MOUNTING PLATE	1
3	SCREWS	2
4	WATER INLET NIPPLE	1
5	2.5 GPM REGULATOR	1
6	SPOUT	1
7	FACE PLATE SET SCREW	2
8	FACE PLATE SCREW COVERS	2

INSTALLATION

1. Determine placement of spout.
2. 1/2" coupling in wall should be flush with finished wall.
3. Using 3/16" allen key remove face plate set screws (7) and place in clean secure area.
4. Remove water inlet nipple (4) & 2.5 GPM regulator (5) and place in clean secure area.
5. Remove mounting plate (2) from spout (6), place over coupling, and using level mark holes located on top of mounting plate (2) for drilling into wall. (See figure for correct orientation of plate)
6. Test fit water inlet nipple through plate and coupling, make necessary adjustments of coupling.
7. Drill 5/16" holes, place in anchors (1).
8. Put mounting plate (2) to wall, screw plate to wall about 1/2" away from wall.
9. Screw water inlet nipple (4) into coupling, using appropriate sealant. This will bring the plate to wall.
10. Tighten screws (3) securely.
11. Replace regulator (5).
12. Slide spout (6) onto mounting plate (2), replace set screws (7).
13. Cover set screws with caps (8).

To learn more about JACLO's warranty, please visit [**jaclo.com**](http://jaclo.com)