

INSTALLATION INSTRUCTIONS

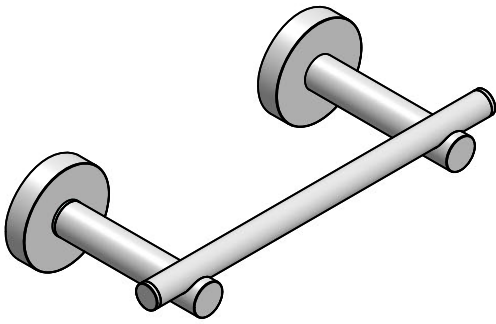
2121 METROPOLIS BATH ACCESSORIES

Part #'s 2121-RH, 2121-STP, 2121-TPPIV,
2121-TR, 2121-TB-18, 2121-TB-24

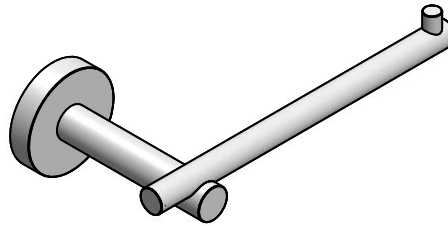


Materials provided:

1ea. Accessories Shown Below
1 pkg. Installation Hardware



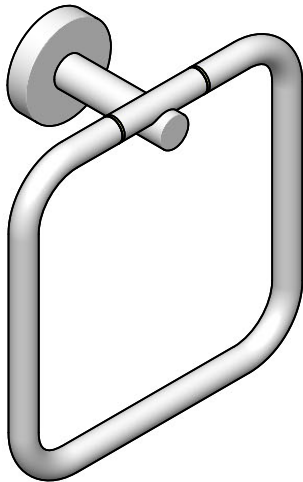
**2121-TPPIV PIVOTING
TOILET PAPER HOLDER**



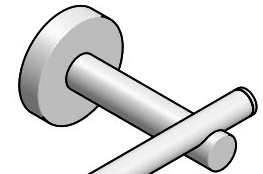
**2121-STP STRAIGHT
TOILET PAPER HOLDER**



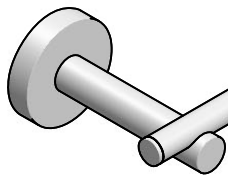
2121-RH ROBE HOOK



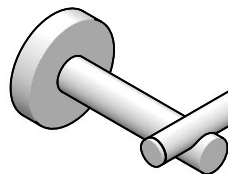
2121-TR TOWEL RING



2121-TB-18 18" TOWEL BAR



2121-TB-24 24" TOWEL BAR



**SEE PAGE #2 FOR
INSTALLATION INSTRUCTIONS**

INSTALLATION INSTRUCTIONS

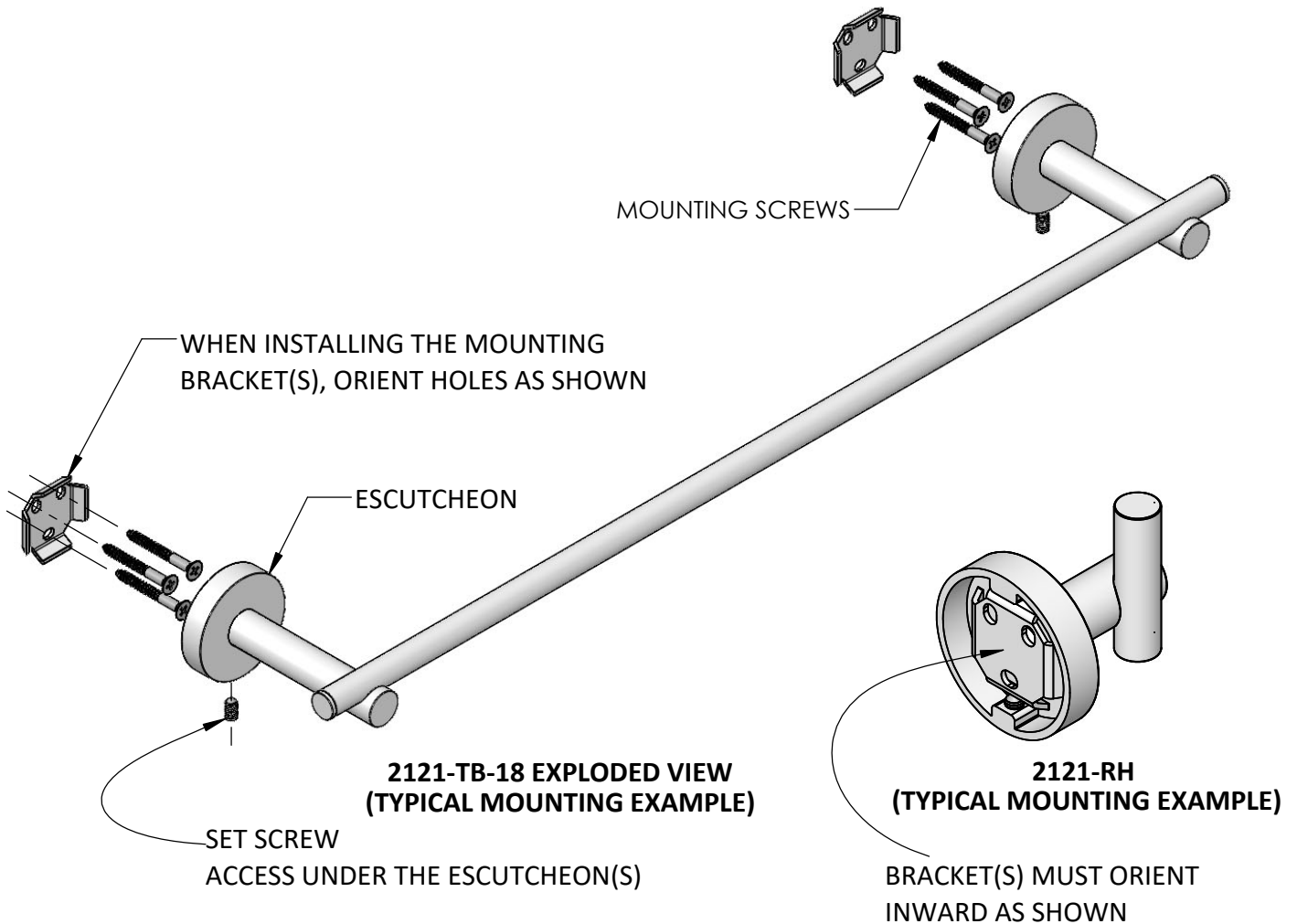
2121 METROPOLIS BATH ACCESSORIES

Part #'s 2121-RH, 2121-STP, 2121-TPPIV,
2121-TR, 2121-TB-18, 2121-TB-24



Trim Mounting Detail:

***All the Metropolis accessory installation hardware components are identical**



*TYPICAL MOUNTING INSTRUCTIONS:

- Step-1:** Determine adequate space for the **Accessory**, and carefully mark all hole locations for the **Bracket(s)**.
- Step-2:** Note: Verify either a stud or blocking material is behind the installation location, or use the **Inserts** provided in the hardware packet for drywall mounting.
- Step-3:** Using the screws provided, securely attach the **Bracket(s)** to the wall surface.
- Step-4:** Slide the accessory **Escutcheon** onto the **Bracket(s)**, and tighten the underside **Set Screw(s)**.
- Step-5:** Verify the **Accessory** is securely fitted to the wall.