

INSTALLATION INSTRUCTIONS

PVC Bath Waste & Overflow (Pivoting Head)
Part #'s: 335-LT, 345-LT

JACLO[®]
Confidence from start to finish.[®]

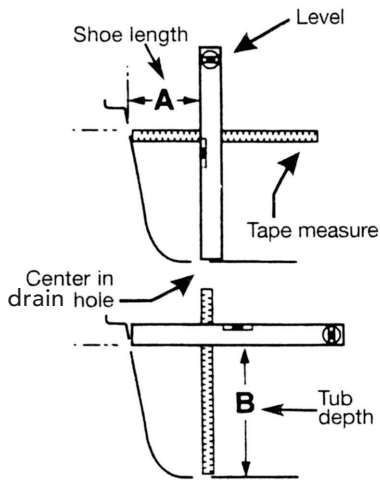
TRIM SOLD SEPARATELY



335-LT , 345-LT

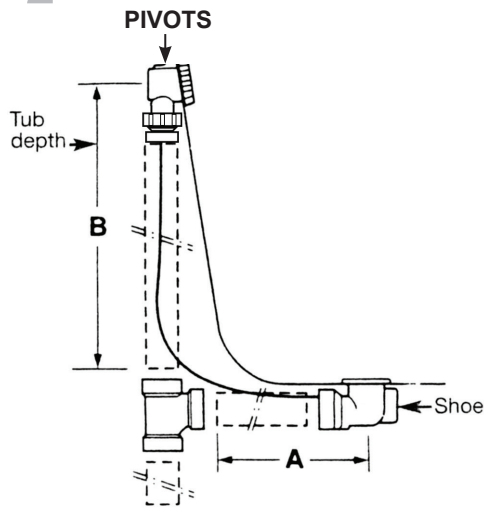
INSTALLATION

1



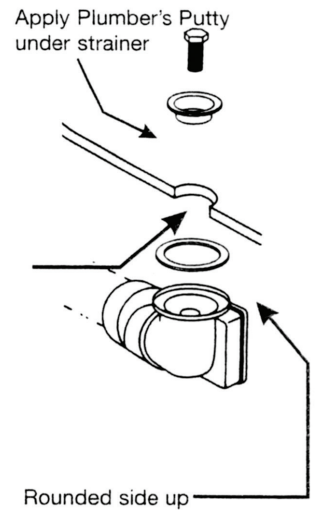
- A > Measure distance from center of drain hole to center of overflow hole.
- B > Measure height from center of drain hole to center of overflow hole.

2



Install using PVC 1½" Schedule 40 DWV pipe in compliance with ASTM D 2665-89a **ONLY**.

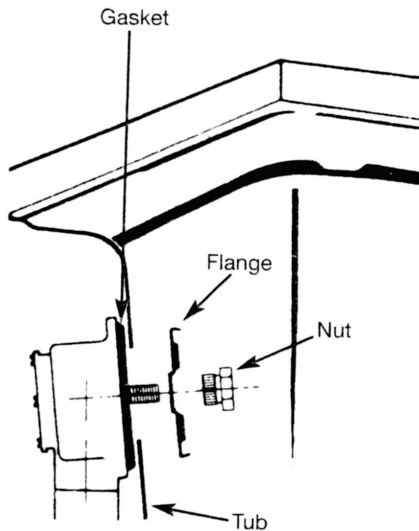
3



NOTE: Top of tub MUST be ground parallel. Ensure that sealing surface on tub bottom is smooth, flat and clean

Mount Drain to tub with supplied drain screw.

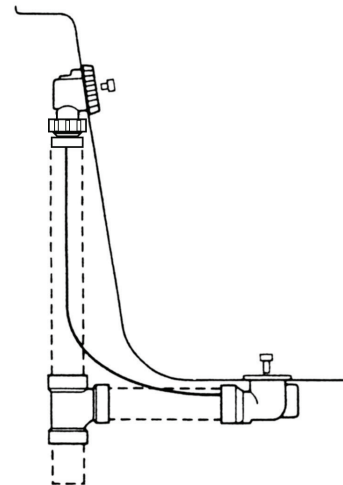
4



NOTE: Hand tighten until all connections are made.

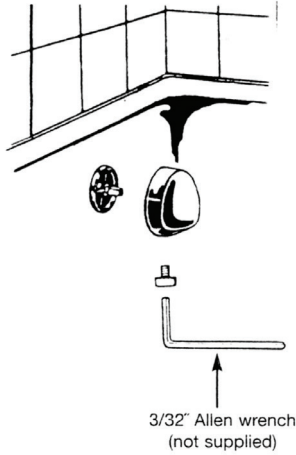
1. Attach gasket to overflow neck.
2. Mount overflow to tub.

5



For solvent connection use PVC Cement in compliance with ASTM D 2564-88 **ONLY**.

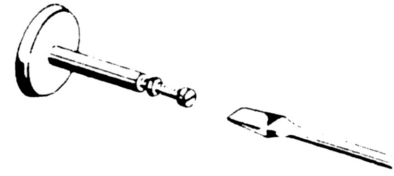
6 Solid Brass Handles



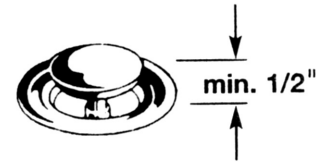
3/32" Allen wrench
(not supplied)

Tighten screw via the access hole in handle.

7



NOTE: Hex nut to be flush against bottom of shaft.



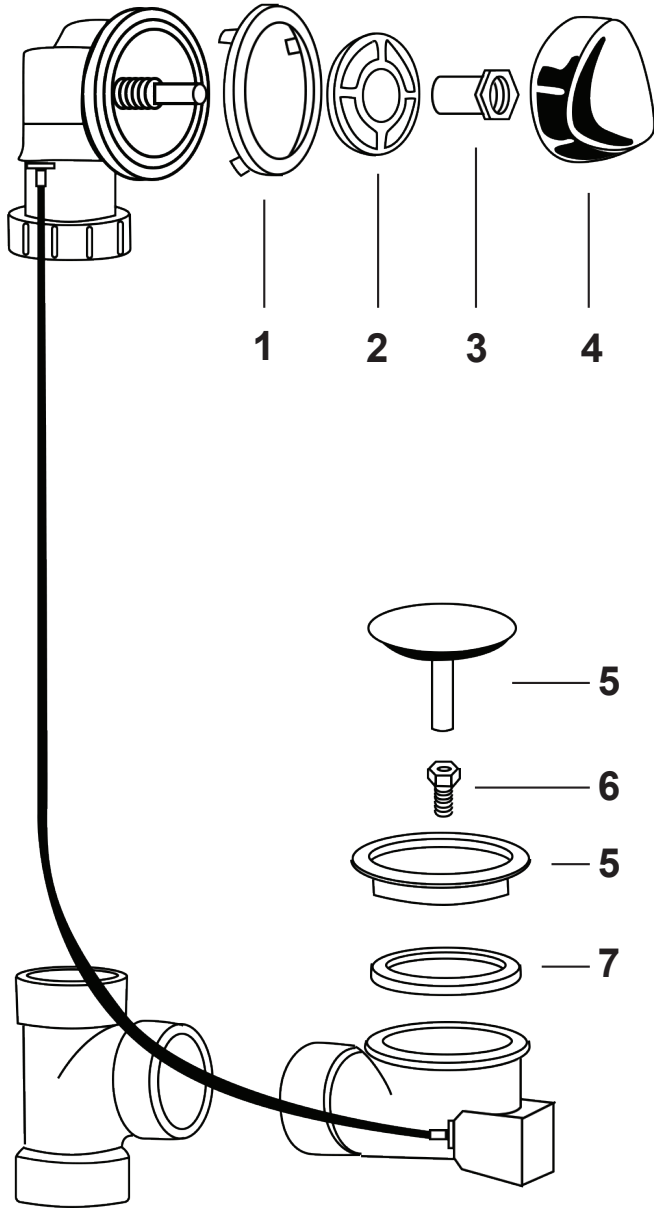
Set plunger to recommended min. 1/2" opening, adjust as necessary.

To operate drain, simply turn handle 1/8 turn (clockwise opens, counter-clockwise closes).

TROUBLESHOOTING

Drain leaks around plunger	<ul style="list-style-type: none"> • Check plunger O-ring for cuts or nicks • Check that strainer flange is level • Check plunger screw adjustment • Check tub surfaces. Ensure that they are smooth, flat, and clean.
Leaks around strainer flange	<ul style="list-style-type: none"> • Check that strainer flange is level & flush with tub surface • Check that plumber's putty is applied evenly
Water closes plunger when draining	<ul style="list-style-type: none"> • Wrong size drain • Cable too long • Secure cable to overflow neck. Recommended using cable tie (not provided)

REPLACEMENT PARTS



REPLACEMENT PARTS		
#	PART NUMBER	DESCRIPTION
1	521-WASHER	Stainless Steel Shower Head
2	521-P	Curvetta 90° 3/4M 1/2M
3	521-NUT	Flexible hose 39 3/8" 1/2"F x 1/2"F
4	521-H , 321-H	False Ceiling Plugs
5	521-SP	Screws
6	521-NUT	Template
7	521-WASHER	Adaptor Connection 1/2"M x 1/2"M

To learn more about JACLO's warranty, please visit [**jaclo.com**](http://jaclo.com)