

# INSTALLATION INSTRUCTIONS

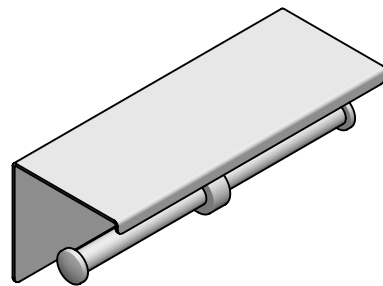
## Contempo II Double Toilet Paper Holder With Shelf

Part # 3501-DBTP-SH

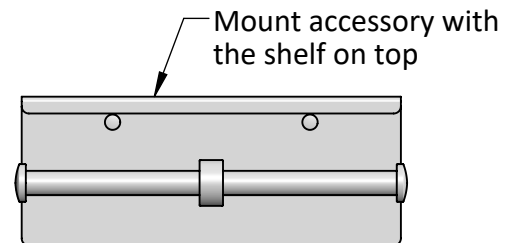
**JACLO**  
Confidence from start to finish.™

### Materials provided:

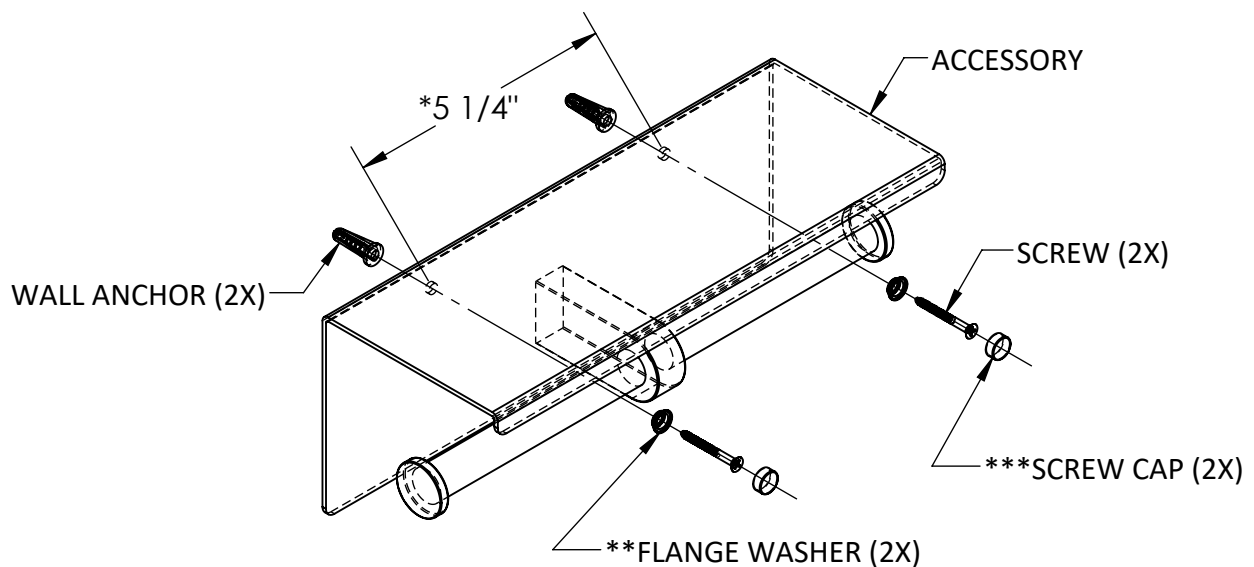
- 1ea. Contempo II Accessory
- 1 pkg. Installation hardware



**3501-DBTP-SH**



**3501-DBTP-SH (As Mounted)**



### Mounting Detail for 3501-DBTP-SH

**Important:** JACLO recommends blocking for proper installation.

**Step-1:** Determine desired location of the accessory, and mark the two mounting hole locations as noted\*

**Step-2:** Drill two 1/4" holes, then insert the Plastic Anchors flush with the wall.

**Step-3:** Slip the Flange Washers (IMPORTANT: the cup must face outward\*\*) onto each screw prior to mounting the accessory.

**Step-4:** Place the accessory over the mounting holes, insert and slightly tighten the two Screws.

**Step-5:** Visually confirm (or place a level across the top shelf) the accessory appears to be level, then tighten the two Screws to secure the accessory to the wall.

**Step-6:** Press the two Screw Caps\*\*\* onto the flange washers to cover the Screw heads.

To learn more about JACLO's warranty, please visit [\*\*jaclo.com\*\*](http://jaclo.com)