

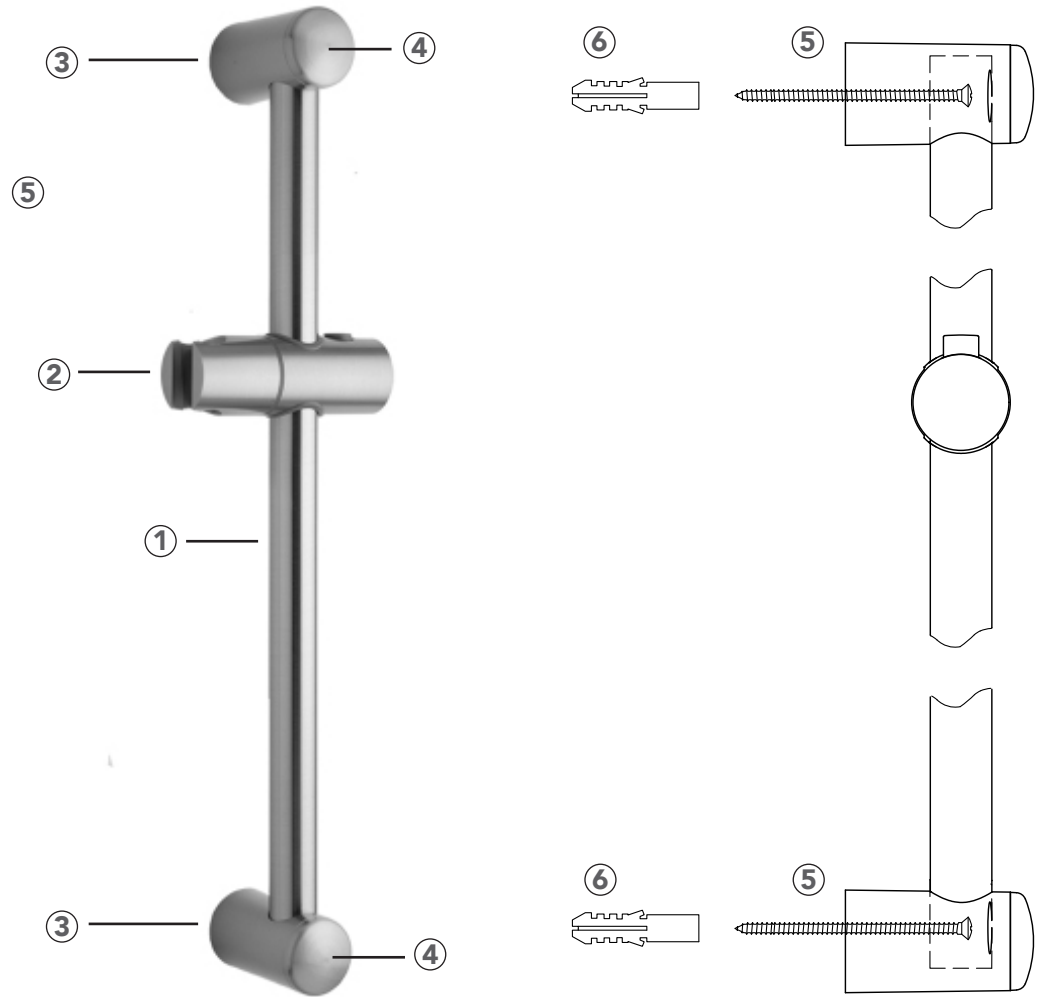
# INSTALLATION INSTRUCTIONS

## Adjustable Wall Bar Part #: 3524



### COMPONENT PARTS

1	Bar
2	Slider
3	Post (2)
4	Cap (2)
5	Screw (2)
6	Fastener (2)



### INSTALLATION

1. Locate desired position of wall bar
2. Drill 1/4" holes apart by 24"
3. Insert fastener into drilled holes
4. Place tube into post
5. Mount wall bar using stainless steel screws provided and secure in place
6. Install caps

To learn more about JACLO's warranty, please visit [\*\*jaclo.com\*\*](http://jaclo.com)