

INSTALLATION INSTRUCTIONS

Bottom Outlet Toe Control (Round/Square) Tub Wastes

Part #: Round: 353-537, 354-537, 355-537, 365-537, 366-537
Square: 353-539, 354-539, 355-539, 365-539, 366-539

JACLO®

Confidence from start to finish.®



ROUND



SQUARE

DRAIN INSTALLATION

1. Remove Drain Top & 529 Spring Mechanism from strainer body by unscrewing.
2. Apply appropriate sealant around the underside of the strainer body according to manufacturer's instructions.
3. Align the drain shoe, and rubber gasket underneath the bath drain hole, and carefully thread strainer body into the drain shoe.
4. Align the drain shoe to point toward the overflow the bath.

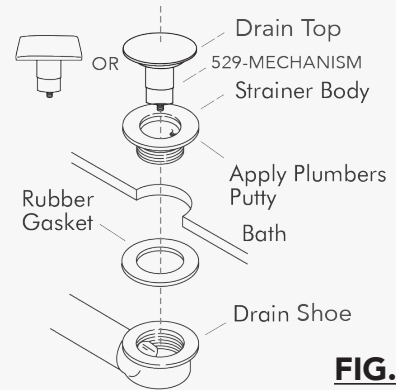


FIG. 1

5. Insert the handles of a pliers into the strainer body, and tighten securely. Remove excess putty.
6. Install the strainer to the strainer body by tightening the screw.

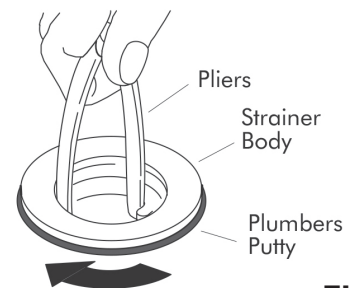


FIG. 2

7. Put rubber gasket on to overflow ell using channel in gasket, wrap around overflow ell flange. Opening should be on the bottom.



FIG. 3

8. Slide the coupling nuts and gaskets onto the overflow ell and drain shoe.
9. Fit the overflow ell into the tee.
10. Then slide the tee onto the drain shoe. Hand tighten the coupling nuts to the tee.

NOTE: DO NOT TIGHTEN WITH A WRENCH AT THIS TIME

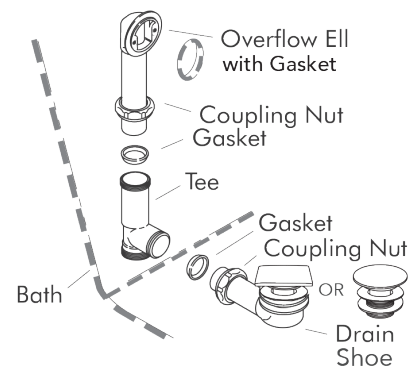


FIG. 4

DRAIN INSTALLATION (CONT.)

11. Some applications may require the drain shoe tube to be cut shorter.
12. For proper installation, assemble the drain to the bath.
13. If the overflow tube is not vertical or pushed out, the drain shoe tube is too long.
14. To cut the drain shoe tube to the proper length, the overflow tube must be vertical. Align the drain shoe tube along side the drain tee. Mark the drain shoe tube so it will engage the drain tee by at least 3/4".
15. Cut the tube with a tube cutter. Remove any burrs.

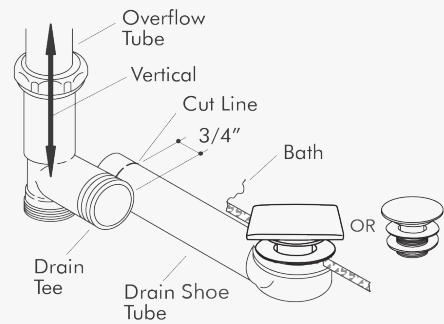


FIG. 5

16. Fit the mounting bracket onto the overflow ell, and secure with two screws.

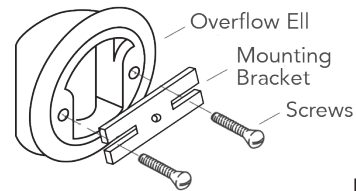


FIG. 6

17. Loosen set screw on inside of plate.
18. Screw center post into position and test fit for thickness/fit. Adjust if necessary.
19. Push on Face Plate and tighten set screw.
20. Check the alignment of the overflow ell, tee, and drain shoe.
21. Adjust as necessary. Use a wrench to tighten the coupling nuts two turns past hand tight.

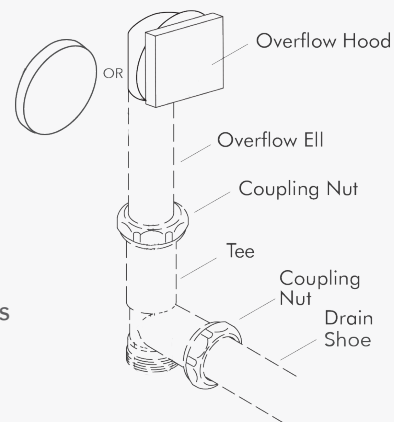


FIG. 7

22. Apply thread sealant to the tailpiece, and thread it into the tee.
23. Make your final connections, as needed.
24. With the Drain in closed position, fill the bath with water, and check for leaks. Verify that the overflow connections do not leak.
25. Open and close the Drain to verify correct operation, and again inspect for leaks.

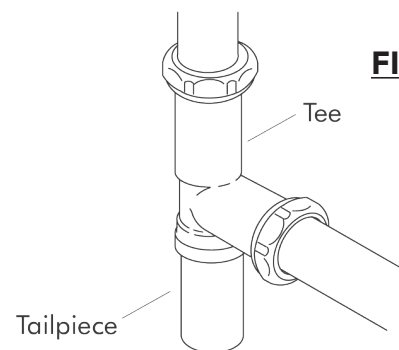


FIG. 8

To learn more about JACLO's warranty, please visit [**jaclo.com**](http://jaclo.com)