

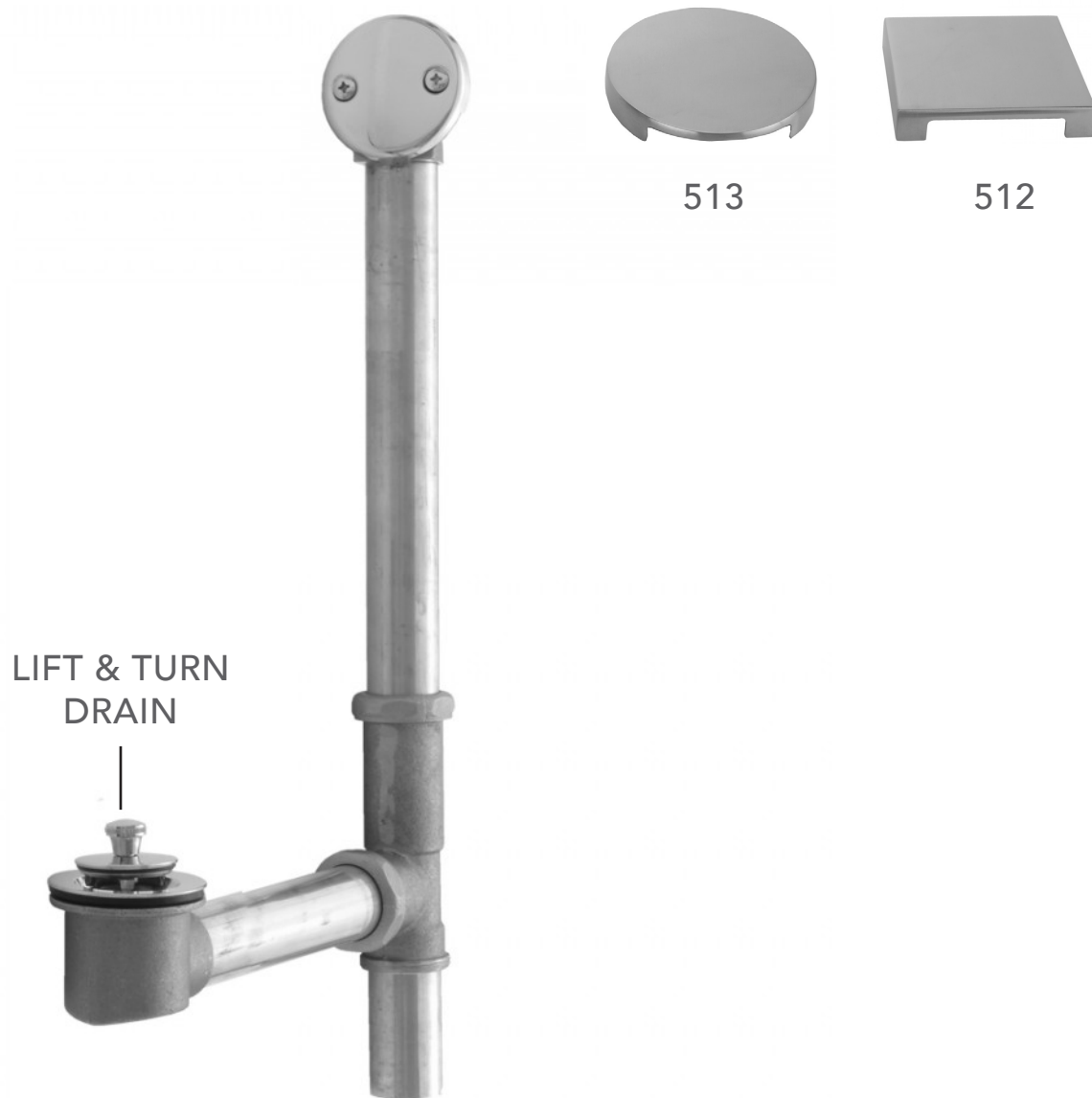
# INSTALLATION INSTRUCTIONS



Confidence from start to finish.®

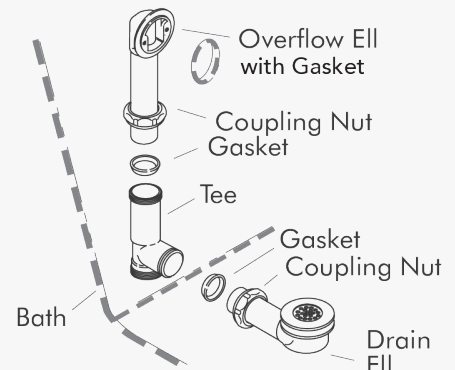
## Bottom Outlet Lift & Turn Tub Wastes

Part #: 357-, 358-, 359-, 369-, 368-, 357-513, 358-513, 359-513, 369-513, 368-513, 357-512, 358-512, 359-512, 369-512, 368-512



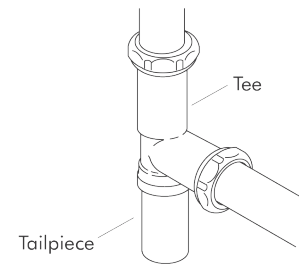
## DRAIN INSTALLATION

1. Test assemble out of tub to ensure complete understanding of placement/parts. **(FIG. 1)**
2. Remove overflow plate and drain from shoe, if pre-installed.
3. Determine lengths of overflow and shoe
  - a. Cutting overflow tube and drain shoe tube is expected (one side is threaded the other side is slip fit into tee).
  - b. Test fit



**FIG. 1**

4. Put tail piece onto tee.
5. Put tee into position. **(FIG. 2)**
6. If exposed, place box pattern escutcheon over tail piece prior to installing tee.



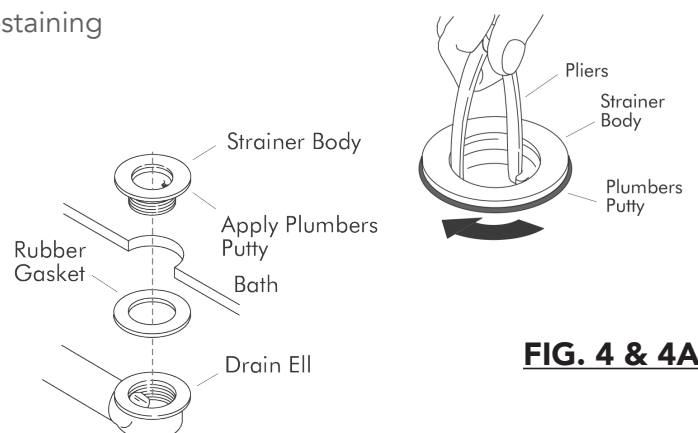
**FIG. 2**

7. Remove lift and turn top from flange by closing, holding flange and unscrewing the stopper. Place in secure area.
8. Using appropriate sealant, secure shoe to drain ell tube.
9. Slide overflow tube into tee, hand tighten and place tapered gasket onto overflow ell. **(FIG. 3)**
10. Slide drain ell tube into tee, hand tighten, then align shoe to tub drain, ensuring drain gasket is under tub.
11. Set tub into position.



**FIG. 3**

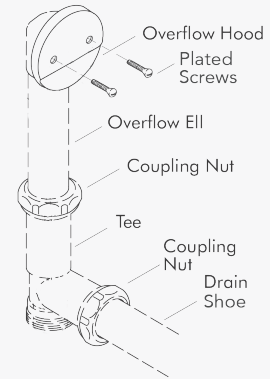
12. Install lift and turn flange onto shoe using non-staining plumbers putty.
13. Re-install lift and turn top into flange **(FIG. 4)**



**FIG. 4 & 4A**

## DRAIN INSTALLATION (CONT.)

14. Install overflow plate onto overflow **(502) (FIG. 5)**

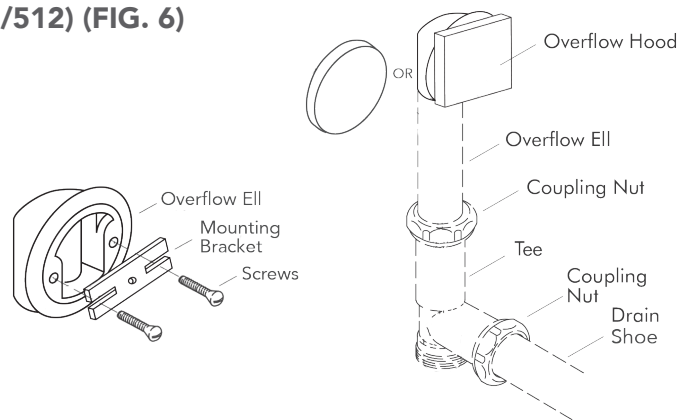


**FIG. 5**

15. Install overflow plate onto overflow **(513/512) (FIG. 6)**

16. Test for water hold and leaks

17. Tighten all connections at tee



**FIG. 6**

To learn more about JACLO's warranty, please visit [\*\*jaclo.com\*\*](http://jaclo.com)