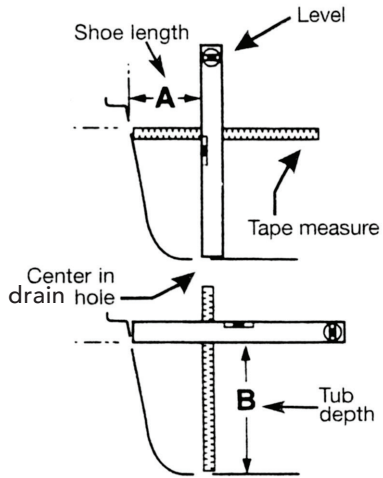


INSTALLATION INSTRUCTIONS

1½" Schedule 40 ABS Cable Drains
 Part #'s: 371-LT, 373-LT, 375-LT, 377-LT
TRIM SOLD SEPARATELY

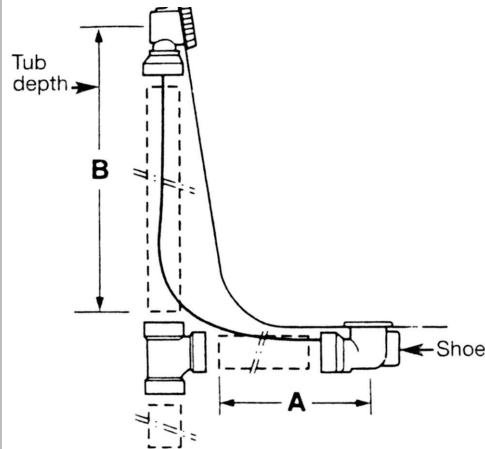


1



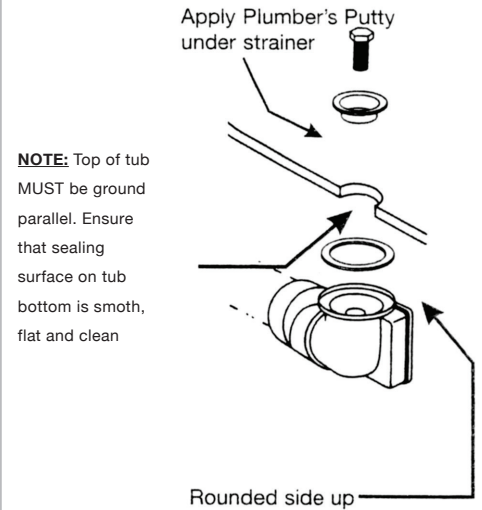
A > Measure distance from center of drain hole to center of overflow hole.
 B > Measure height from center of drain hole to center of overflow hole.

2



Install using ABS 1½" Schedule 40 DWV pipe in compliance with ASTM D 2665-89a **ONLY**.

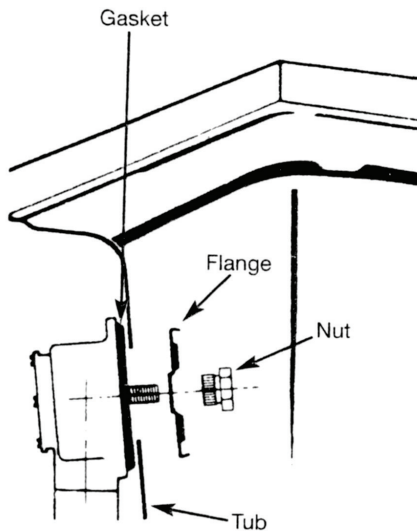
3



Mount Drain to tub with supplied drain screw.

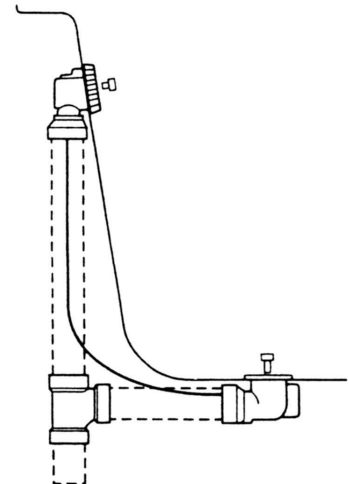
4

NOTE: Hand tighten until all connections are made.



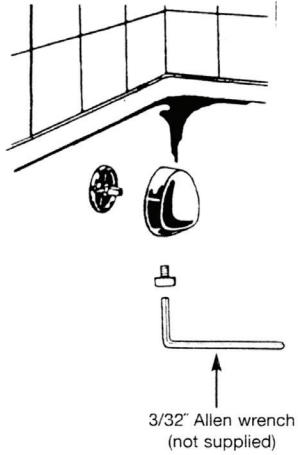
Mount overflow to tub.

5



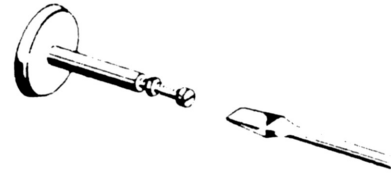
For solvent connection use ABS Cement in compliance with ASTM D 2564-88 **ONLY**.

6 Solid Brass Handles

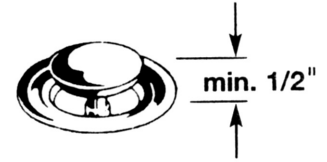


Tighten screw via the access hole in handle.

7



NOTE: Hex nut to be flush against bottom of shaft.

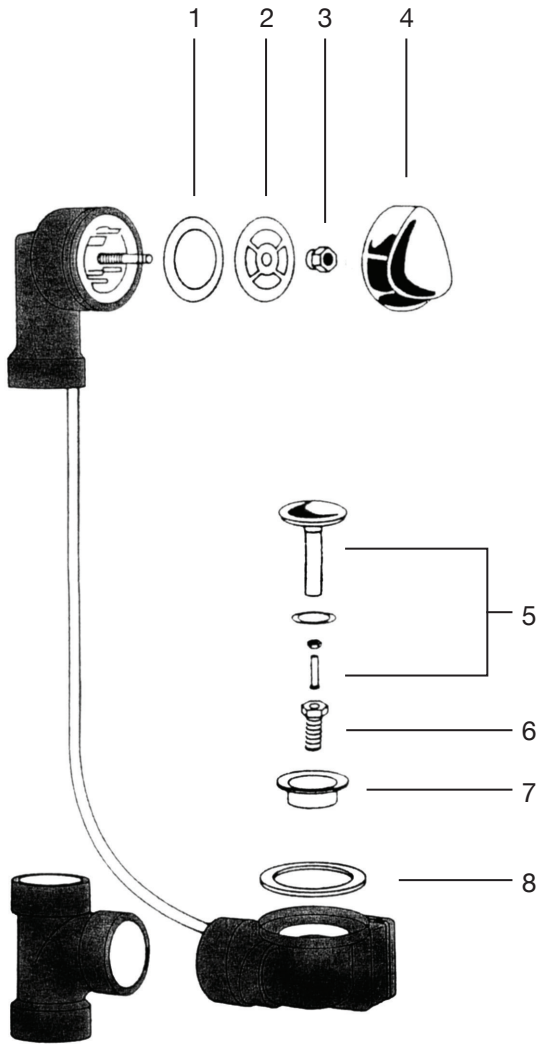


Set plunger to recommended min. $\frac{1}{2}$ " opening, adjust as necessary.

To operate drain, simply turn handle $\frac{1}{8}$ turn (clockwise opens, counter-clockwise closes).

Jaclo 1½" Tubular Bath Waste and Overflow Replacement Parts

Parts for 1 1/2" Schedule 40 ABS



Number	Part Number	Description
1	521-WASHER	Gasket
2	521-P	Flange
3	521-NUT	Nut
4	521-H 321-H	Turn Handle, Solid Brass
5	521-C	Plunger, Solid Brass
6	521-NUT	Drain Screw
7	521-S	Strainer
8	521-WASHER	Gasket

To learn more about JACLO's warranty, please visit [**jaclo.com**](http://jaclo.com)