

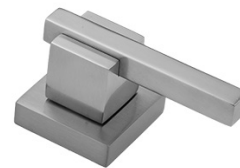
INSTALLATION INSTRUCTIONS

CUBIX® Roman Tub Set
Part #: 4404-

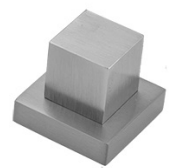
JACLO[®]
Confidence from start to finish.[®]



Handle Options:



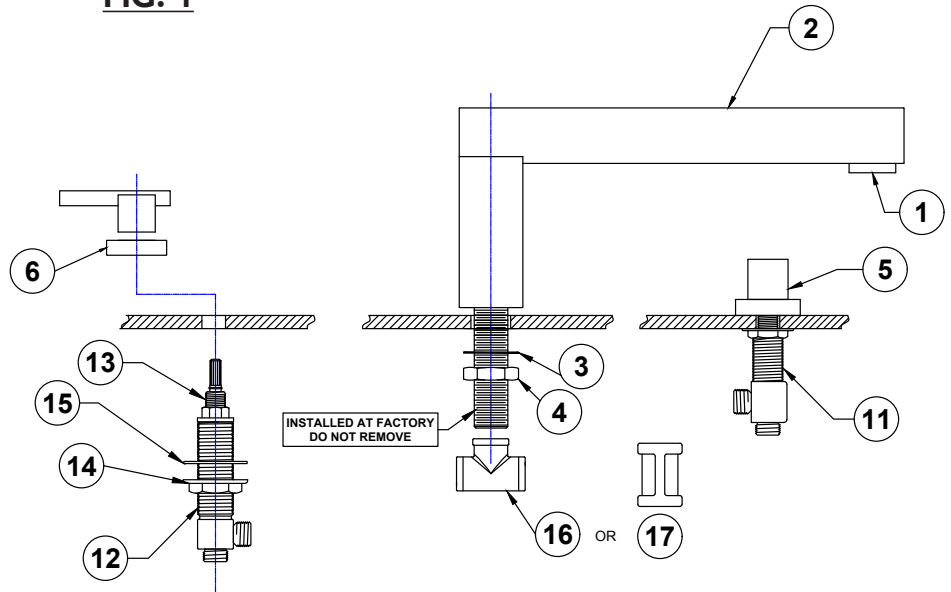
T670



T673

FIG. 1

COMPONENT PARTS		
TRIM	1	Aerator - CU-406-AER
	2	Tub Spout - CU-406-SPT
	3	Steel Washer - Comes w/ Spout
	4	Brass Nut - Comes w/ Spout
	5	Handle (2) - Varies by Model
	6	Escutcheon (2) - CU-400-ESC
ROUGH	11	Cold Valve - RTC-RGH
	12	Hot Valve - RTH-RGH
	13	Cartridge (2) (Pre-installed)
	14	Valve Body Nut (4)
	15	Fiber Washer (4)
	16	3/4" Brass Tee - 300-34-0
	17	3/4" Brass Coupling - D16303-34



SPOUT AND VALVE BODY INSTALLATION

SPOUT

1. Spout Hole should be 1-1/4" to 1-3/8" max, Valve holes 1-1/4" to 1-3/8" max.
2. Remove nut **(4)** and washer **(3)** from spout,
3. Place Spout Assembly in from top of counter.
4. Re-install washer **(3)** and brass nut **(4)** and tighten.
5. Install Tee **(16)** with suitable pipe sealant.

VALVES

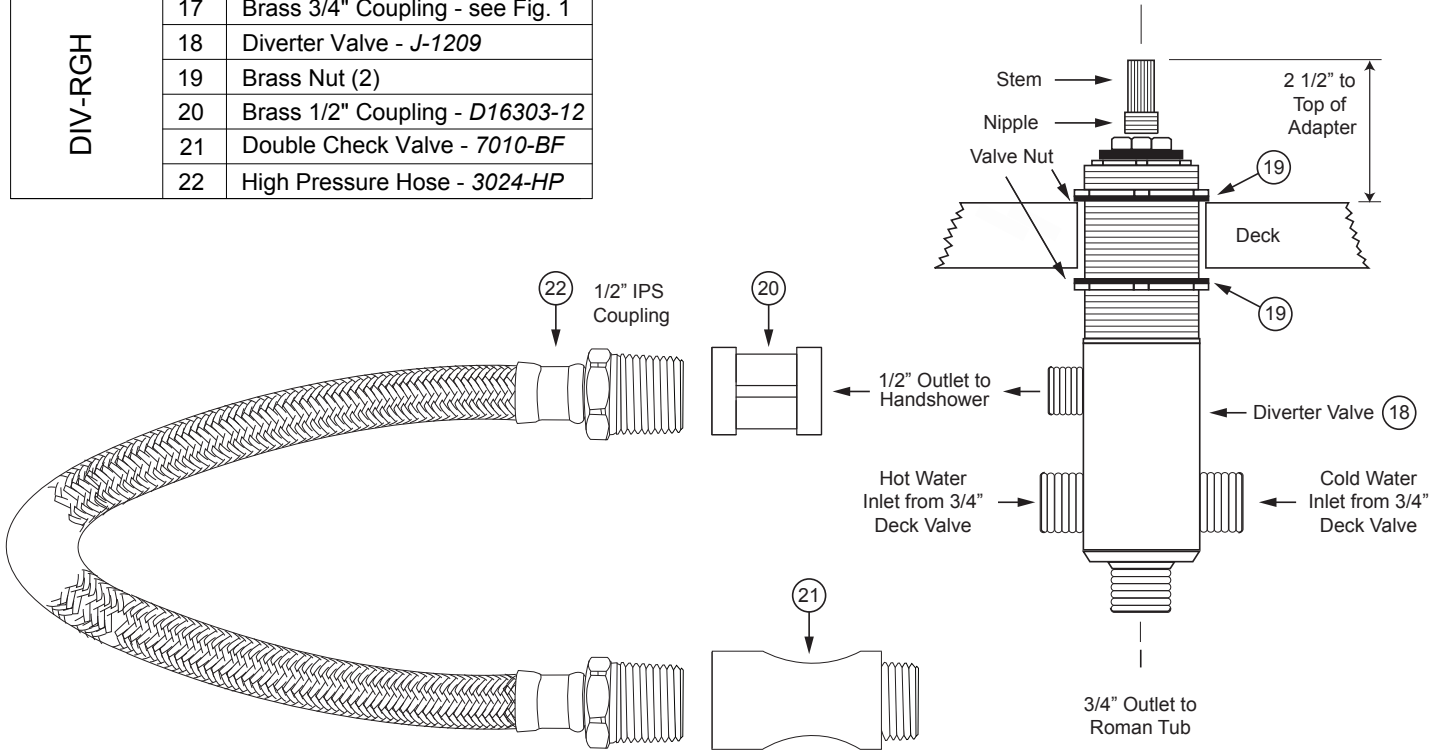
6. Remove upper body nut **(14)** and fiber washer **(15)**.
7. Install Valve assemblies from under deck and replace top nut and washer. Refer to **Figure 4** for various handle/ stem length. The top nut and washer will be replaced by escutcheon provided with trim.
8. Connect side outlet of hot and cold valve to Tee **(16)** by hose, or piping

****NOTE**** WHEN USING THE J-6912-DIV-RGH, TEE **(16)** IS NOT USED, 3/4" COUPLING **(17)** IS SUPPLIED

INSTALLATION FOR DIVERTER & HANDSHOWER IF USED

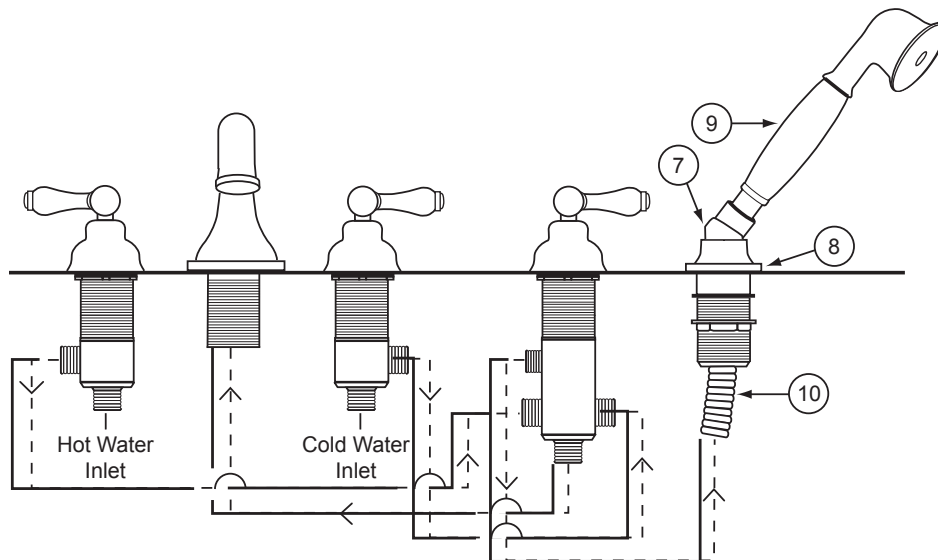
COMPONENT PARTS		
DIV-TRIM	7	Handshower Base - 8029/8030
	8	Sleeve for Deck Mount - 8019
	9	Handheld - (Sold Separately)
	10	Hose - 3060-DS
DIV-RGH	17	Brass 3/4" Coupling - see Fig. 1
	18	Diverter Valve - J-1209
	19	Brass Nut (2)
	20	Brass 1/2" Coupling - D16303-12
	21	Double Check Valve - 7010-BF
	22	High Pressure Hose - 3024-HP

FIG. 2



FOR ILLUSTRATION PURPOSES ONLY (STYLES VARY)

FIG. 3



INSTALLATION FOR DIVERTER & HANDSHOWER IF USED (CONTINUED)

1. Drill 1-1/2" hole in desired location for diverter. Maximum deck thickness is 2-1/4" for diverter only. Roman tub spouts and valves may differ and must be checked.
 2. Remove top valve nut **(19)** from valve (retain for temporary install until trim is installed).
 3. Thread bottom valve nut **(19)** all the way down diverter valve **(18)**.
 4. Slide valve (from underneath) through deck and temporarily install top valve nut to keep in position until Trim is ready for installation (approximately 2-1/4" from top of spline to deck). Hand tighten.
 5. Secure 1/2" coupling **(20)** to outlet on valve (as indicated)
 6. Secure high pressure hose **(22)** to 1/2" coupling.
 7. Connect double check valve **(21)** to high pressure hose.
 8. Connect Hot and Cold water supplies to diverter valve as shown.
- ** MAKE SURE ANY SOLDER CONNECTIONS ARE AT LEAST 1-1/2" AWAY FROM VALVE BODY****
9. Connect bottom of diverter valve to spout connection.

TRIM INSTALLATION

HANDLES

1. Install as per **Figure 4**, various handles have different stem measurements.

DIVERTER HANDLE

2. Install as per **Figure 4**, various handles have different stem measurements.

HANSHOWER & HOSE

3. Install sleeve for deck mount (**8**) by drilling 1-1/4" hole in deck. Remove bottom brass nut and metal washer, drop in mount from above deck (rubber washer between mount and deck) and secure with washer and nut.
4. Attach nut end of hose (**10**) to double check valve (**21**). *ENSURE WASHERS ARE IN PLACE*
5. Put hose through deck mount (**8**) and attach handshower base (**7**).
6. Attach handshower to handshower base.

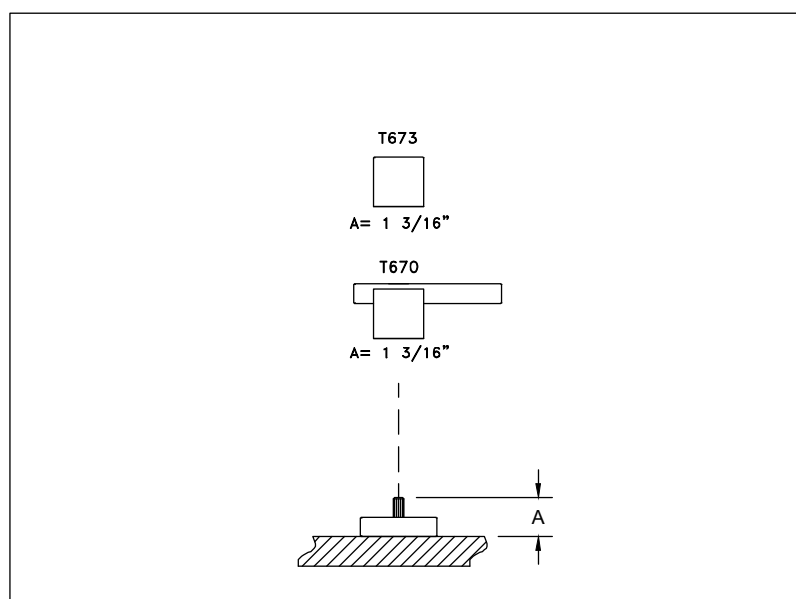


FIG. 4

To learn more about JACLO's warranty, please visit [**jaclo.com**](http://jaclo.com)