

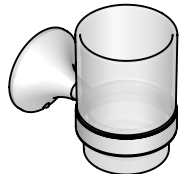
# INSTALLATION INSTRUCTIONS

## Lila Wall Mounted Accessories

Part #'s 5150-RH, 5150-TB-18, 5150-TB-24, 5150-STP, 5150-LTP,  
5150-DBTP, 5150-SD, 5150-TH



5150-SD



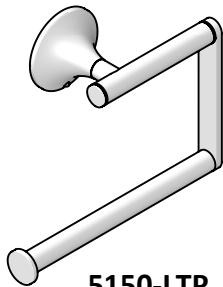
5150-TH



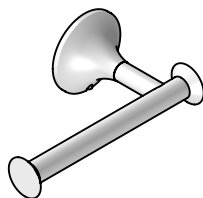
5150-RH

### Materials provided:

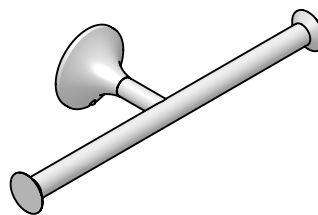
- 1 ea. Lila Accessory
- 1 pkg. Installation hardware
- 1 ea. Hex Wrench



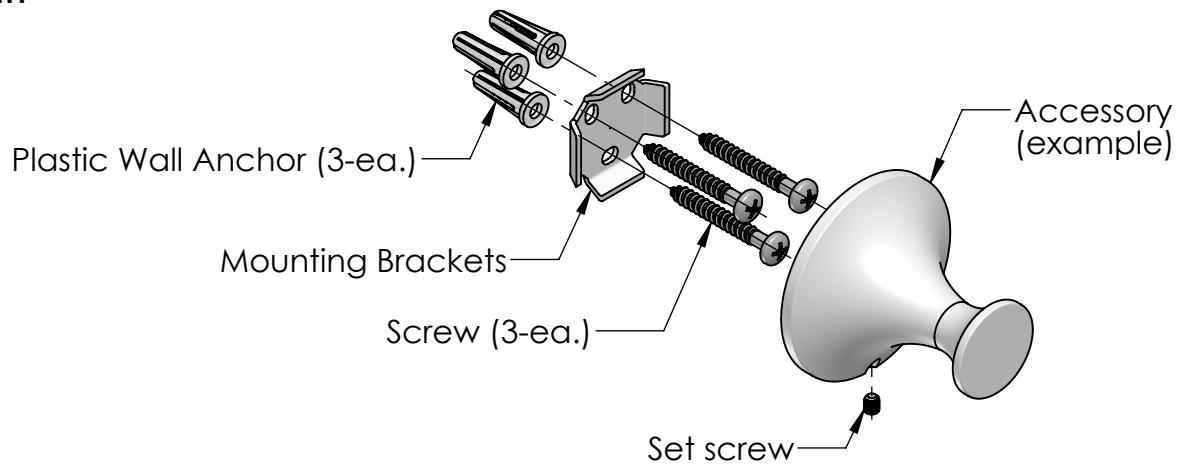
5150-LTP



5150-STP



5150-DBTP



### Typical Mounting Detail (For Single Post Accessories):

**Single Post Accessories Installation** (5150-SD, 5150-TH, 5150-RH, 5150-LTP, 5150-STP, 5150-DBTP)

**Important:** JACLO recommends blocking for proper installation.

**Step-1:** Determine desired location of accessory, and mark the mounting bracket locations.

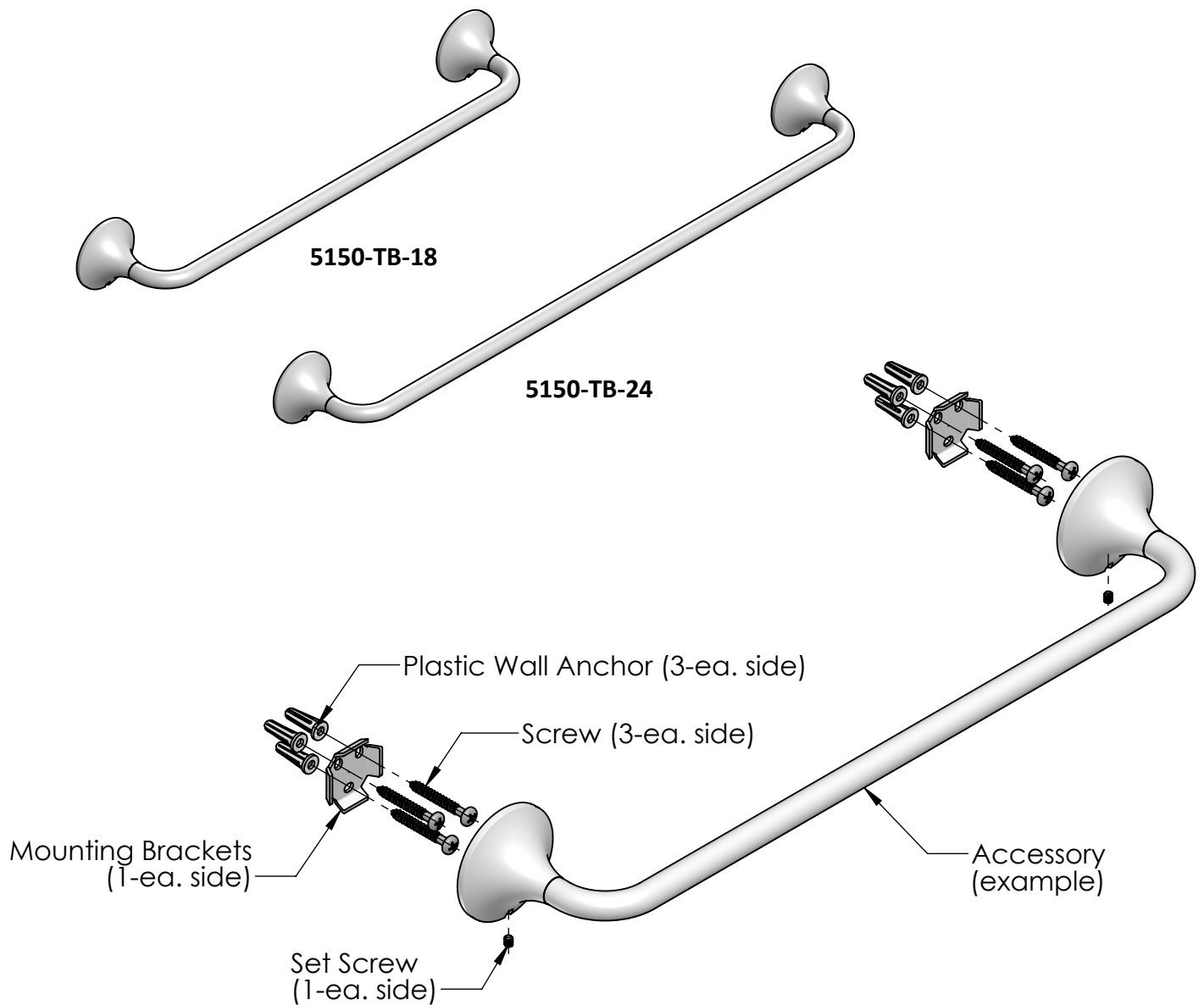
**Step-2:** Remove mounting bracket from the accessory using 3/32" allen wrench, and place the set screw in a secure location.

**Step-3:** Mark and drill three 1/4" holes, then insert the plastic anchors into the wall.

**Step-4:** Insert the set screw into the accessory, HAND tighten temporarily, ensuring set screw cavity is located on the bottom as shown above.

**Step-5:** Place the accessory over the mounting base, and tighten the set screw.

**Note:** A correct install will have the set screw flush with the accessory.



### Typical Mounting Detail (For Two Post Accessories):

#### Two Post Accessories Installation (5150-TB-18, 5150-TB-24)

**Important:** JACLO recommends blocking for proper installation.

**Step-1:** Determine desired location of accessory, and mark the mounting bracket locations.

**Step-2:** Remove mounting brackets from the accessory using 3/32" allen wrench, and place the set screws in a secure location.

**Step-3:** Mark and drill three 1/4" holes (each bracket), then insert the plastic anchors into the wall.

**Step-4:** Insert the set screws into the accessory, HAND tighten temporarily, ensuring set screw cavities are located on the bottom as shown above.

**Step-5:** Place the accessory over the mounting brackets, and tighten the set screws.

**Note:** A correct install will have the set screws flush with the accessory.

To learn more about JACLO's warranty, please visit [\*\*jaclo.com\*\*](http://jaclo.com)