

INSTALLATION INSTRUCTIONS

Cranford Widespread Faucet
Part #: 5460-****

JACLO®
Confidence from start to finish.™



HANDLE STYLES



T677



T646



T639



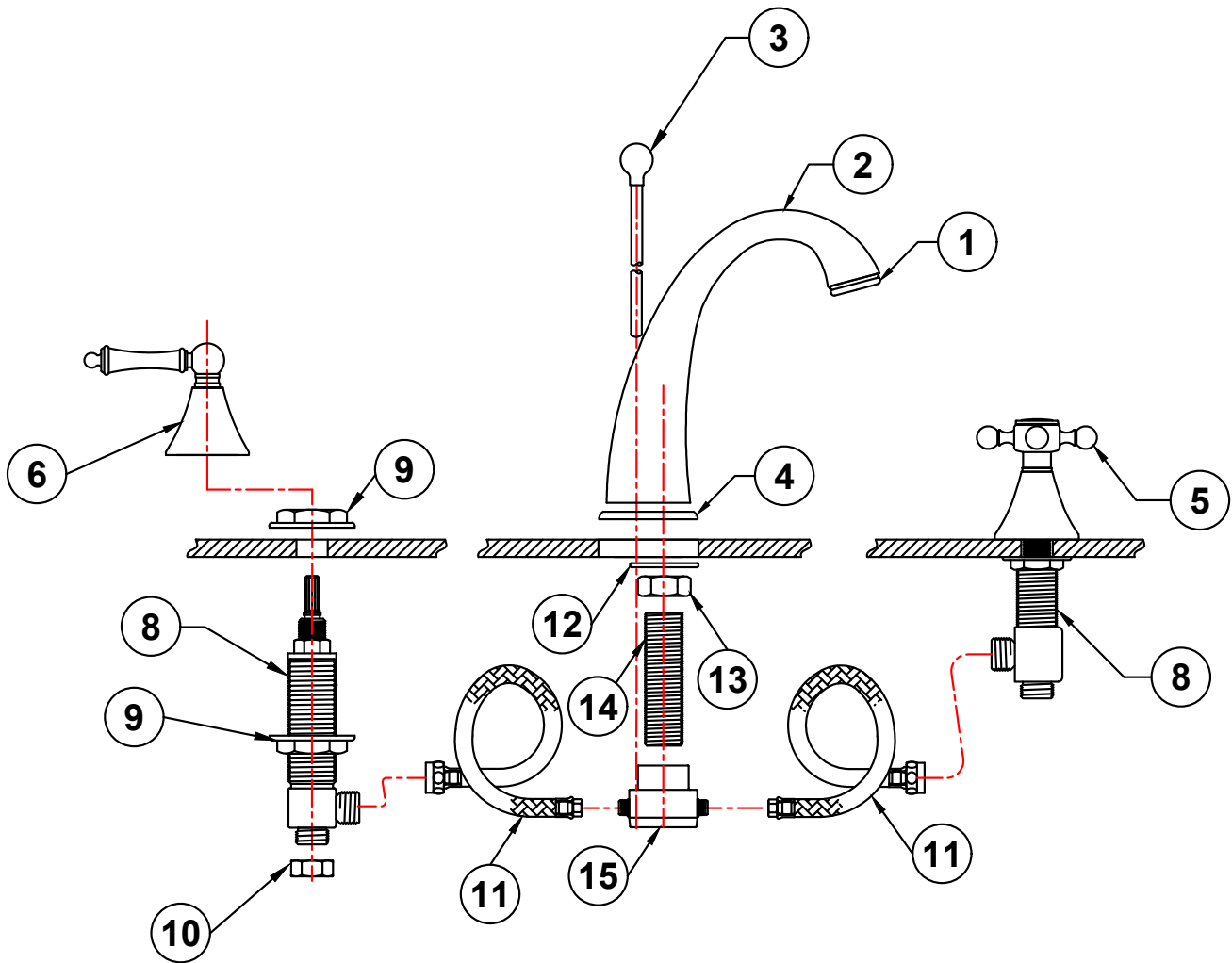
T647



T696



T694



COMPONENT PARTS

1	Aerator - FCT-AER-**
2	Spout - 901W-SPOUT-**
3	Pop-Up Rod Assembly - 901W-ROD-**
4	Flange - PART OF SPOUT
5	Handle (2) - VARIES ON MODEL
6	Valve Escutcheon - B-06-**
7	Valve Body Hot - 11832-0
8	Valve Body Cold - 11833-0
9	Valve Body Nut (4)
10	Nut (2) - A438-0
11	Hose (2) - 5130-RGH
12	Washer - PART OF SPOUT
13	Brass Nut - PART OF SPOUT
14	Brass Nipple - PART OF SPOUT
15	Brass Tee - PART OF SPOUT

Spout Installation

(Refer to Figure 1 & 2)

Note: Some items have been pre-assembled at the factory to ensure quality and fit. Some disassembly may be required during installation.

1. Remove tee (15), metal spout washer (12), and spout nut (13) from spout nipple (14).
2. Slide spout flange (4) over spout nipple (14) on bottom of spout
3. Drop the spout assembly through top of sink basin or countertop.
4. Slide metal washer (12) up from the bottom of sink with pop-up rod cutout facing rear. Hand tighten spout nut (13) onto sink basin or countertop.
5. Screw tee (15) onto end of spout nipple (14) using NSF listed joint compound. *Note: tee (15) outlet ports should be at 9 & 3 o'clock
6. Drop pop-up rod (3) through top hole of spout (2). Adjust if necessary.
7. Tighten spout nut, securing it to bottom of sink basin or countertop.

FIGURE 1

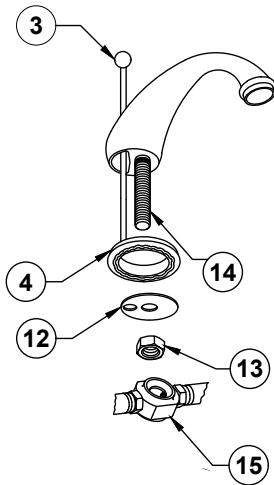
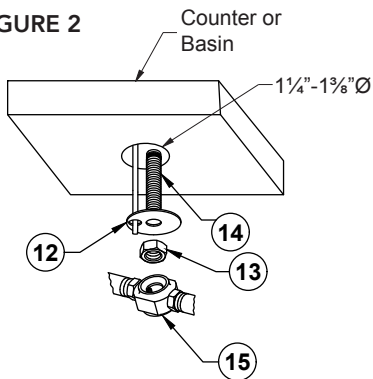


FIGURE 2



Valve Installation

(Refer to Figure 3, 4, & 5)

1. Identify hot and cold valve. Hot has a red sticker and cold has a blue sticker.
2. Install hot valve on left side of spout as you are facing the sink.
3. Remove handle (5), escutcheon (6), top nut (9), and fiber washer from valve body (7 & 8).
4. Install valve (7 & 8) through bottom of sink basin or countertop, loosening the bottom nut (9).
5. Screw top valve body nut (9) on top of valve body (7 & 8).
6. Using **Figure 5**, adjust height for handle selected using "A" dimension.
7. Screw on escutcheon (6) onto valve body (7 & 8)
8. Place handle (5) on stem, testing on/off position. Tighten handle using handle installation. **Figure 6** (see next page)
9. Tighten bottom valve nut (9) securely onto bottom of sink basin or countertop.
10. Repeat for cold valve on right side. *Note: Out ports of both hot and cold valve bodies (7 & 8) should be facing spout.

FIGURE 3

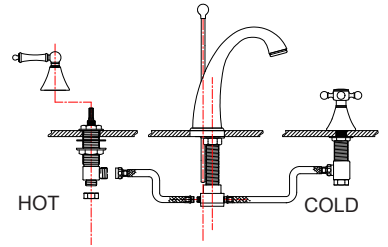
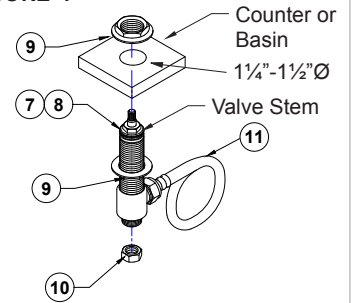


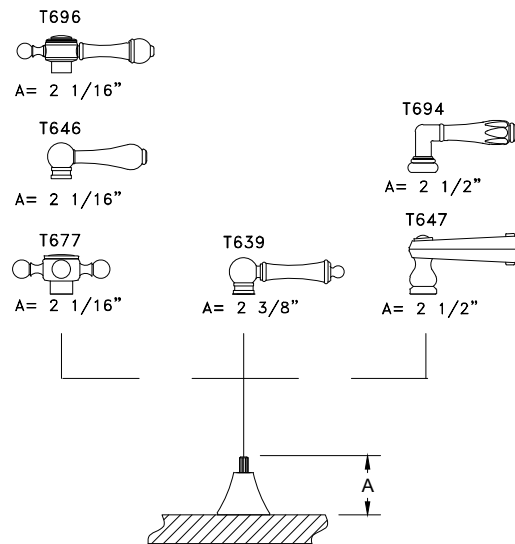
FIGURE 4



Hose Installation

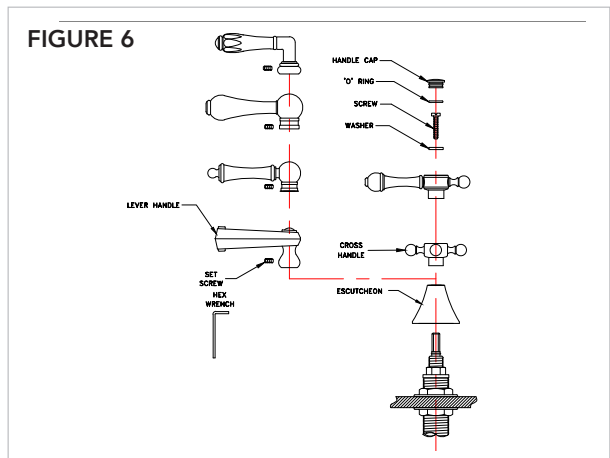
1. Connect hose (11) to hot valve body outlet and tee (15). 3/8" end to tee (15) and 1/2" end to side port of valve body (7 & 8).

FIGURE 5



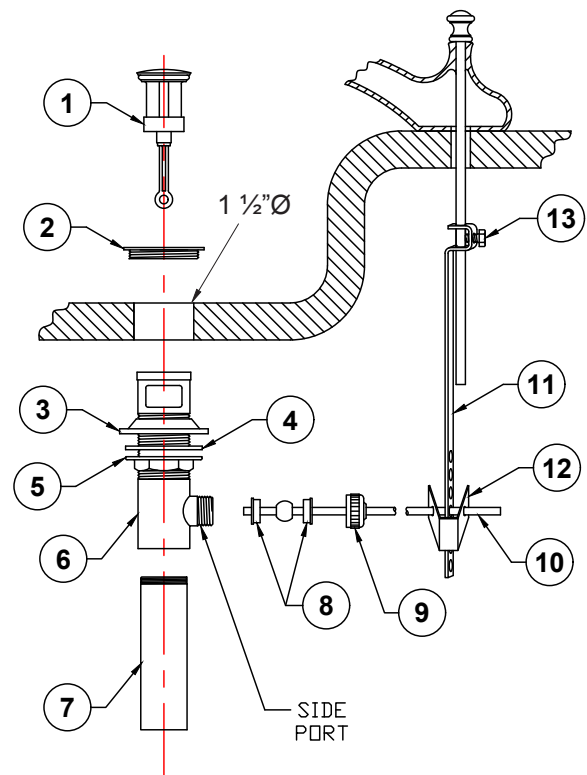
Handle Installation

1. Install handle onto stem in desired "off" position.
2. Confirm handle is not binding with escutcheon. Adjust if necessary.
3. Handles are fastened with a set screw or top screw.
4. If set screw type: screw, tighten then press in decorative cap with o-ring.
5. If top screw type: screw, tighten then press in decorative cap with o-ring.



Drain Assembly

1. Disassemble top flange (2) and drain stopper (1) from pop-up drain body (6).
2. Loosen mounting nut (5) for desired height.
Note: This may vary depending on thickness of sink basin or countertop.
3. Apply appropriate silicon/putty under lip of top flange (2).
4. From underneath, insert drain body (6) through sink basin or countertop and attach top flange (2).
5. Guide sink gasket (3) & plastic washer (4) up snug to bottom of sink basin or countertop.
6. Test the length needed for drain stopper (1) by adjusting height of eyelet so it is visible from side port of ball rod.
7. Align top flange (2) & drain body (6) & tighten nut (5) securely.
8. Test alignment using ball rod (10) without ball rod seats (8) to ensure it goes through eyelet of drain stopper (1).
9. Adjust length of drain stopper (1) (if required) by loosening the nut & eyelet to desired height. Then secure back up to bottom of drain stopper (1).
10. Put one ball rod seat (8) before ball in ball rod (10) concave side toward ball. Push through side port making sure the ball rod (10) goes through drain stopper (1) eyelet. Put second seat (8) on+to other side of ball rod (10) & attach ball rod nut (9). Do not over tighten.
11. Pushing ball rod (10) down to raise drain stopper (1) in sink. Test & adjust if necessary.
12. Attach lift rod strap (11) to pop-up rod.
13. Push down on ball rod (10) putting one end of spring clip (12) on, then put through appropriate hole in lift rod strap (11). Attach other end of spring clip (12) & test.
14. Attach tailpiece (7) to drain body (6) using pipe thread sealing tape on threads.



COMPONENT PARTS	
1	Drain Stopper
2	Top Flange
3	Sink Gasket
4	Plastic Washer
5	Mounting Nut
6	Drain Body
7	Tailpiece
8	Ball Rod Seat
9	Ball Rod Nut
10	Ball Rod
11	Lift Rod Strap
12	Spring Clip
13	Lift Rod Strap Screw

To learn more about JACLO's warranty, please visit [**jaclo.com**](http://jaclo.com)