

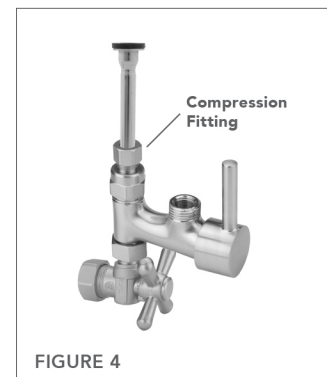
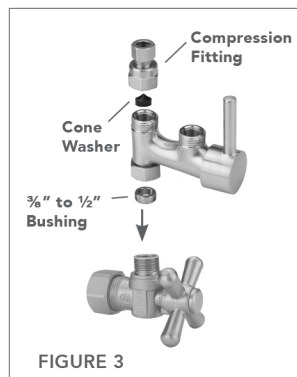
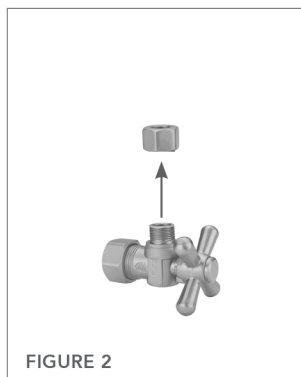
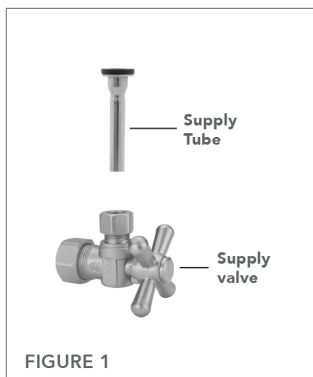
INSTALLATION INSTRUCTIONS

Retro Fit Bidet Valve

Part #: 6468

JACLO[®]
Confidence from start to finish.[®]

FOLLOW ALL APPLICABLE LOCAL PLUMBING CODES, PUBLIC HEALTH AND SAFETY CODES



INSTALLATION

1. Turn off water.
2. Remove supply tube from shutoff valve (sold separately). **Figure 1**
3. Remove compression nut and fitting from supply valve. **Figure 2**
4. Attach 6468 to supply valve by screwing bottom nut into 1/2" or 3/8" supply valve. (3/8" to 1/2" face bushing is included if 3/8" threads) **Figure 3**
5. Place cone washer cone side up into compression fitting.
6. Attach compression fitting to top of 6468. **Figure 4**
7. Size and cut supply tube to fit.
8. Attach supply tube to 6468 and toilet. **Figure 4**
9. Tighten compression nut.
10. Attach handshower hose (sold separately) to 6468.
11. Turn off 6468; turn on supply, check for leaks.

To learn more about JACLO's warranty, please visit [**jaclo.com**](http://jaclo.com)