

INSTALLATION INSTRUCTIONS

Water Supply Elbows with Handshower Holder

Part #'s: 6416, 6486, 6420, 8716

JACLO®

Confidence from start to finish.™



6416



6486



6420



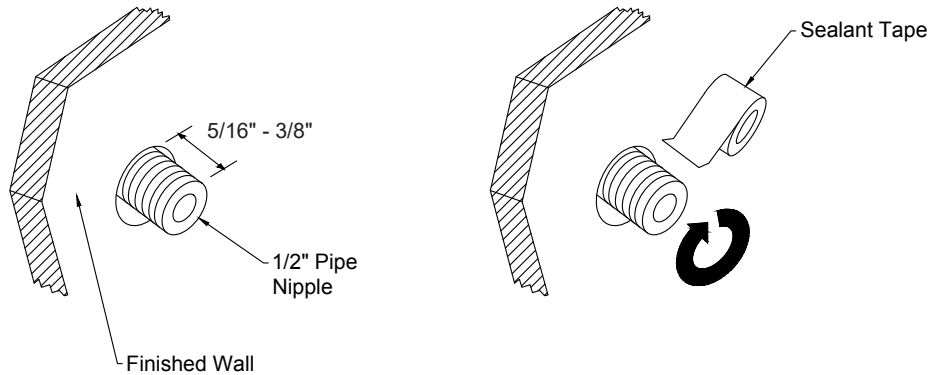
8716

PARTS NEEDED

1. Sealant Tape
2. Strap Wrench (If Required)

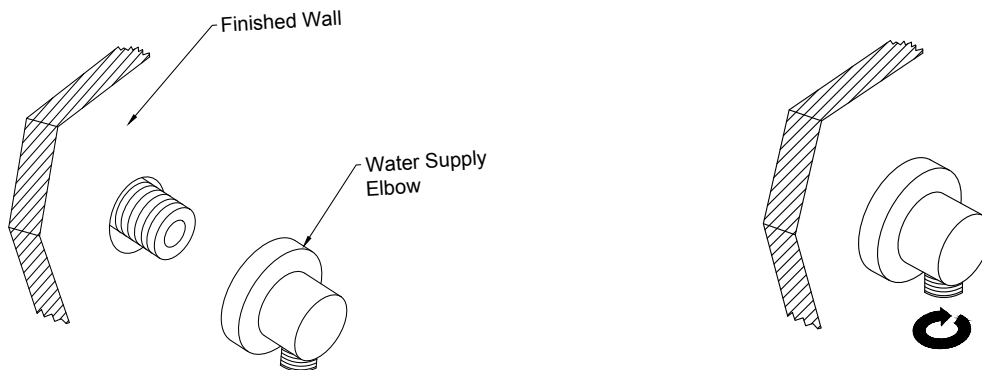
PIPE NIPPLE INSTALLATION

1. Install a 1/2" NPT pipe nipple so that it extends 5/16" to 3/8" beyond the finished wall when fully tightened.
2. Run water through the system to flush out dirt and debris.
3. Wrap sealant tape twice on the threads CLOCKWISE following the direction of the threading tightening the tape down into the threading.



SUPPLY ELBOW INSTALLATION

1. Install gasket, if applicable, into back of the escutcheon.
2. Slide the escutcheon onto the supply elbow.
3. Thread the supply elbow onto the 1/2" pipe nipple.
4. Tighten the water supply elbow using a clean strap wrench.
5. Press the escutcheon against the finished wall.
6. If desired, wrap sealant tape twice on the threads of the water supply elbow CLOCKWISE following the direction of the threading tightening tape down into the threading.



To learn more about JACLO's warranty, please visit [**jaclo.com**](http://jaclo.com)