

INSTALLATION INSTRUCTIONS

Westfield & Astor Roman Tub Sets
Part #: 6970-, 6972-

JACLO®

Confidence from start to finish.®

Westfield Collection



Low Profile Spout



High Profile Spout

HANDLE STYLES



T678



T674



T676



T675



T679

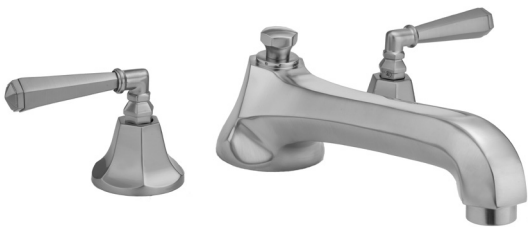


T667



T692

Astor Collection



Low Profile Spout



High Profile Spout

HANDLE STYLES



T686



T685



T688



T684



T689



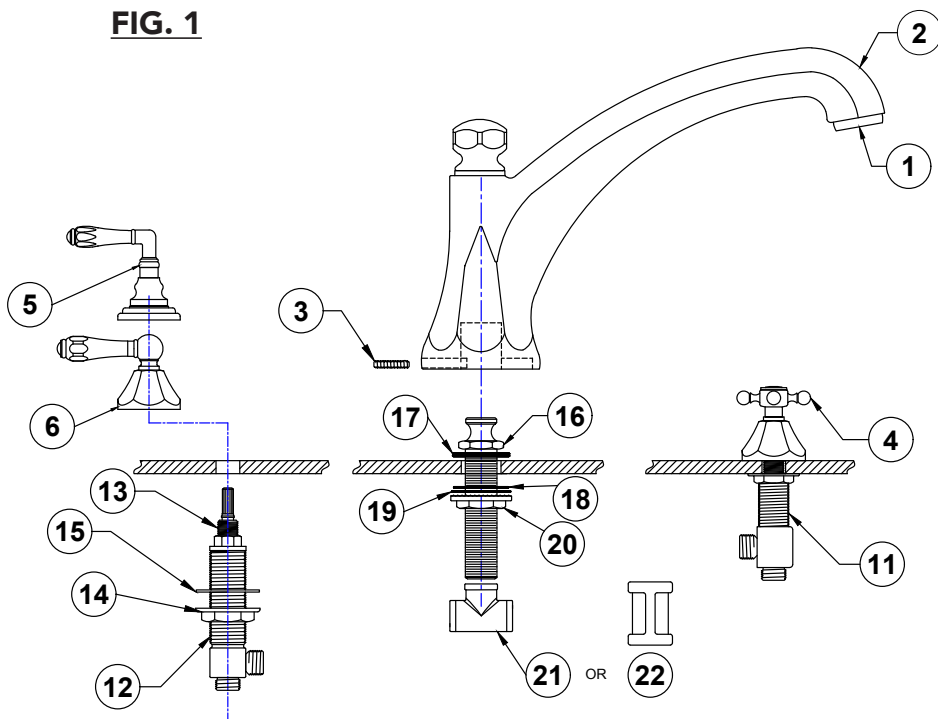
T687



T682

FIG. 1

		COMPONENT PARTS	
TRIM	1	Aerator	
	2	Tub Spout - 6970-SPT/6972-SPT	
	3	Set Screw for Quick Connect	
	4	Handle - <i>Varies by Model</i>	
	5	Westfield Escutcheon - 9830-HF	
	6	Astor Escutcheon - 6870-HF	
ROUGH	11	Cold Valve - RTC-RGH	
	12	Hot Valve - RTH-RGH	
	13	Cartridge (2) (Pre-installed)	
	14	Valve Body Nut (4)	
	15	Fiber Washer (4)	
	16	Quick Connect - 6912-QC-0	
	17	Brass Washer	
	18	Rubber Washer	
	19	Plastic Washer	
	20	Brass Nut	
21	Brass Tee - 300-34-0		
22	Brass 3/4" Coupling - D16303-34		



SPOUT QUICK CONNECT AND VALVE BODY ROUGH INSTALLATION

SPOUT

1. Spout Hole should be 1-1/4" to 1-3/8" max, Valve holes 1-1/4" to 1-3/8" max.
2. Remove nut (20) and washers (19),(18) and (17) from spout, remove and discard rubber O-ring on bottom of quick connect (16) if not already removed.
3. Place BRASS Washer (17) up quick connect shaft (O-RING SIDE DOWN) and place in from above counter.
4. Re-install washers (18) and (19) and brass nut (20) and tighten.
5. Install Tee (21) with suitable pipe sealant.

****NOTE**** WHEN USING THE J-6912-DIV-RGH, TEE (21) IS NOT USED, 3/4" COUPLING (22) IS SUPPLIED

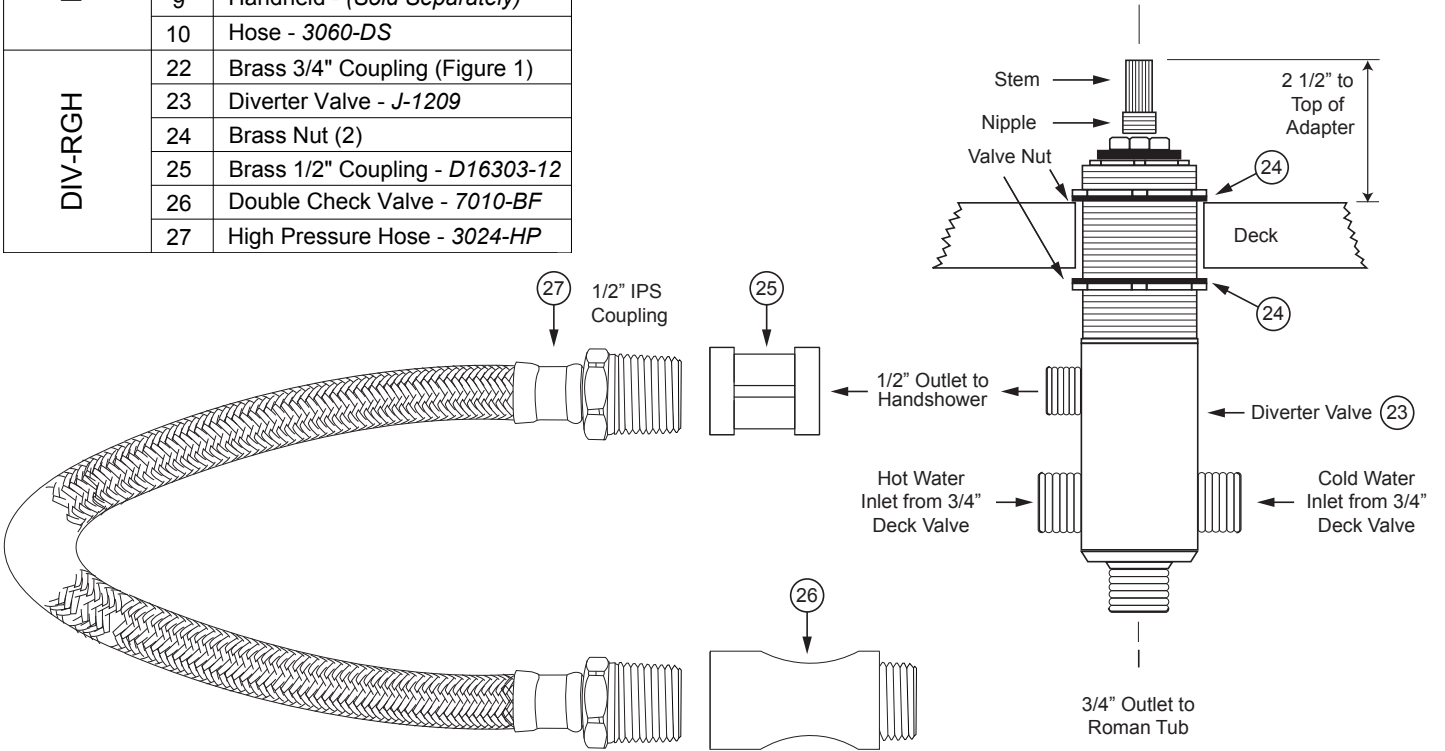
VALVES

6. Remove upper body nut (14) and fiber washer (15).
7. Install Valve assemblies from under deck and replace top nut (14) and washer (15). Refer to **Figure 4** for various handle/stem length.
8. Connect side outlet of hot and cold valve to Tee (21) by hose, or piping

INSTALLATION FOR DIVERTER & HANDSHOWER IF USED

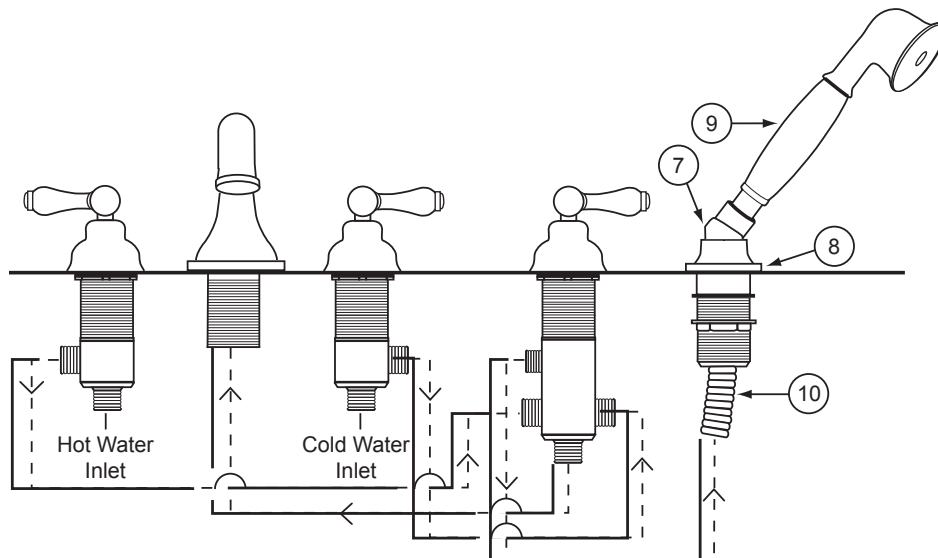
COMPONENT PARTS		
DIV-TRIM	4	Handle - <i>Varies by Model</i>
	5	Westfield Escutcheon - 9830-HF
	6	Astor Escutcheon - 6870-HF
	7	Handshower Base - 8029/8030
	8	Sleeve for Deck Mount - 8019
	9	Handheld - (<i>Sold Separately</i>)
DIV-RGH	10	Hose - 3060-DS
	22	Brass 3/4" Coupling (Figure 1)
	23	Diverter Valve - J-1209
	24	Brass Nut (2)
	25	Brass 1/2" Coupling - D16303-12
	26	Double Check Valve - 7010-BF
27	High Pressure Hose - 3024-HP	

FIG. 2



FOR ILLUSTRATION PURPOSES ONLY (STYLES VARY)

FIG. 3



INSTALLATION FOR DIVERTER & HANDSHOWER IF USED (CONTINUED)

1. Drill 1-1/2" hole in desired location for diverter. Maximum deck thickness is 2-1/4" for diverter only. Roman tub spouts and valves may differ and must be checked.
 2. Remove top valve nut **(24)** from valve.
 3. Thread bottom valve nut **(24)** all the way down diverter valve **(23)**.
 4. Slide valve (from underneath) through deck and temporarily install top valve nut see **Figure 4**. Hand tighten.
 5. Secure 1/2" coupling **(25)** to outlet on valve (as indicated)
 6. Secure high pressure hose **(27)** to 1/2" coupling.
 7. Connect double check valve **(26)** to high pressure hose.
 8. Connect Hot and Cold water supplies to diverter valve as shown.
- ** MAKE SURE ANY SOLDER CONNECTIONS ARE AT LEAST 1-1/2" AWAY FROM VALVE BODY****
9. Connect bottom of diverter valve to spout quick connect **(16)** using the 3/4" coupling **(22)** .

TRIM INSTALLATION

SPOUT

1. Place spout on top of quick connect (16), loosen set screw (3) and place spout (2) on quick connect and push until it clicks into place and tighten set screw (3).

HANDLES

2. Install as per **Figure 4**, various handles have different stem measurements.

DIVERTER HANDLE

3. Install as per **Figure 4**, various handles have different escutcheons and stem measurements.

HANDSHOWER & HOSE (Figure 3)

4. Install sleeve for deck mount (8) by drilling 1-1/4" hole in deck. Remove bottom brass nut and metal washer, drop in mount from above deck (rubber washer between mount and deck) and secure with washer and nut.
5. Attach nut end of hose (10) to double check valve (26). *ENSURE WASHERS ARE IN PLACE*
6. Put hose through deck mount (8) and attach handshower base (7).
7. Attach handshower to handshower base (7).



FIG. 4

To learn more about JACLO's warranty, please visit [**jaclo.com**](http://jaclo.com)