

INSTALLATION INSTRUCTIONS

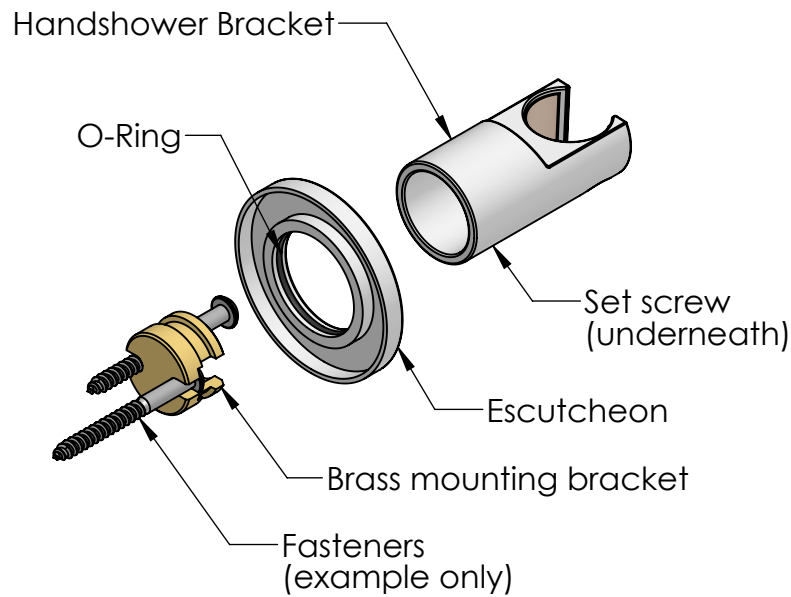
Stationary Wall Mount Handshower Bracket

Part #8054



Materials provided:

- 1ea. Wall Mount Handshower Bracket
- 1 Pkg. Installation hardware
- 1ea. Escutcheon

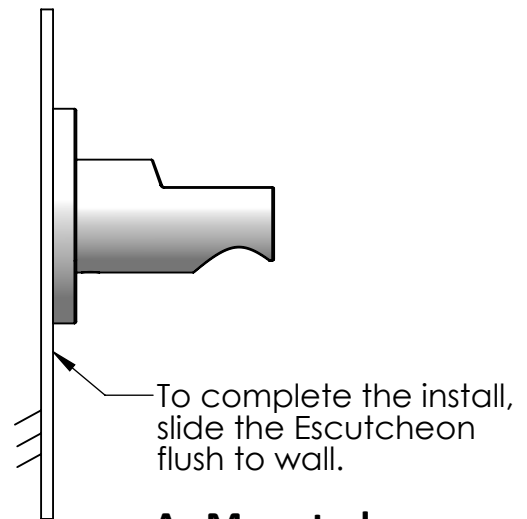


Component Detail



Recommended tools:

- Drill & bits
- Phillips or blade screwdriver
- 3/32" Hex L-Key (Allen Wrench)



As Mounted

Step 1:

Verify the mounting location, and mark the 2 fastener hole centers. Use both mounting holes provided in the mounting bracket to install the JACLO Wall Mount Handshower Bracket.

Note: Follow the fastener manufacturer's instructions when using Moly bolts, wood screw anchors, toggle bolts, Wingits, cement anchors, etc. for installation of the Handshower Bracket. Adhere to local building codes for installation compliance of the JACLO Handshower Bracket.

Step 2:

Slide the Escutcheon back for assembly to the brass mounting bracket. Push the JACLO Handshower Bracket onto the mounting bracket, then tighten the locking set screw securely.

Step 3:

Slide the Escutcheon flush to the wall.

To learn more about JACLO's warranty, please visit [**jaclo.com**](http://jaclo.com)