

# INSTALLATION INSTRUCTIONS

## Transitional Adjustable Wall Mount Handshower Bracket

Part #8059



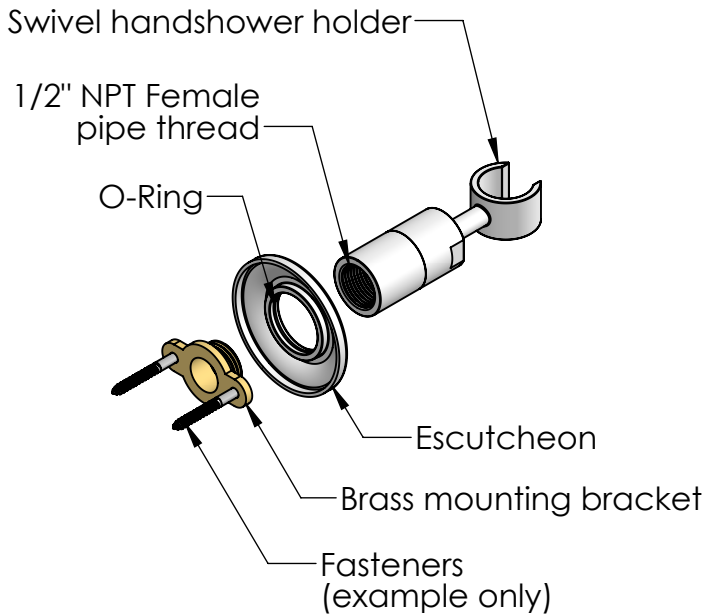
### Materials provided:

- 1ea. Handshower Bracket assembly
- 1 Pkg. Installation hardware
- 1ea. Escutcheon

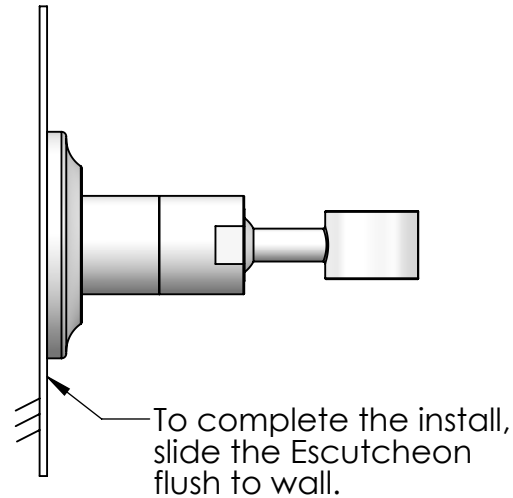


### Recommended tools:

- Drill & bits
- Phillips or blade screwdriver



**Component Detail**



**As Mounted**

### Step 1:

Verify the mounting location, and mark the 2 fastener hole centers. Use both mounting holes provided in the mounting bracket to install the JACLO Wall Mount Handshower Bracket.

**Note:** Follow the fastener manufacturer's instructions when using Moly bolts, wood screw anchors, toggle bolts, Wingits, cement anchors, etc. for installation of the Handshower Bracket. Adhere to local building codes for installation compliance of the JACLO Handshower Bracket.

### Step 2:

Slide the Escutcheon back to access the 1/2" NPT Female threads. Then hand-thread the JACLO Wall Mount Handshower Bracket onto the brass mounting bracket securely.

### Step 3:

Slide the Escutcheon flush to the wall.

To learn more about JACLO's warranty, please visit [\*\*jaclo.com\*\*](http://jaclo.com)