

INSTALLATION INSTRUCTIONS

Woodrow Wall Faucet

Rough Valve for Woodrow Wall Faucet Part #: 5550-RGH

Woodrow Wall Faucet Trim Part #'s: 8220-W-WT459-TR (Lever), 8220-W-WT462-TR (Cross)



FIGURE 1

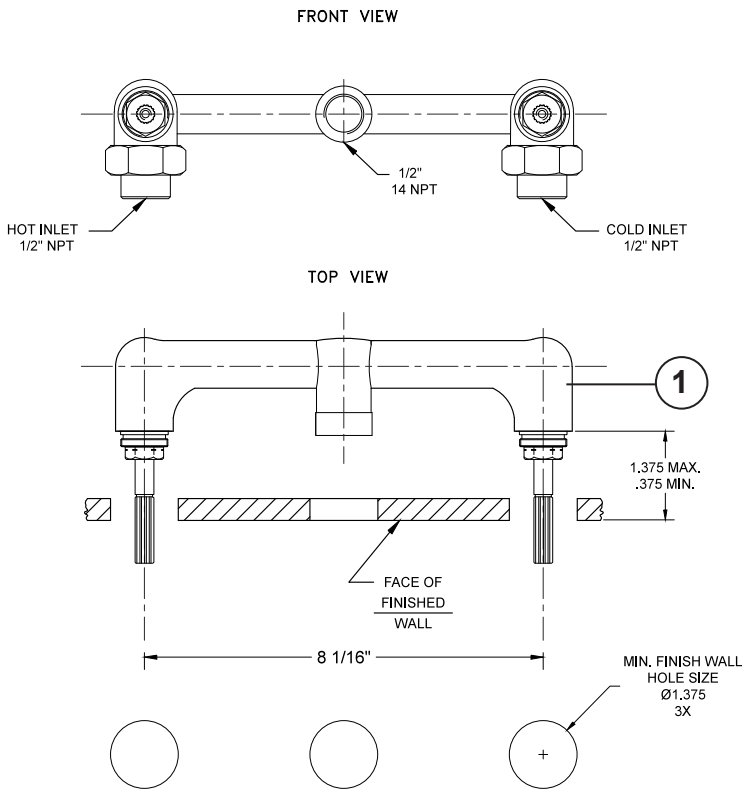
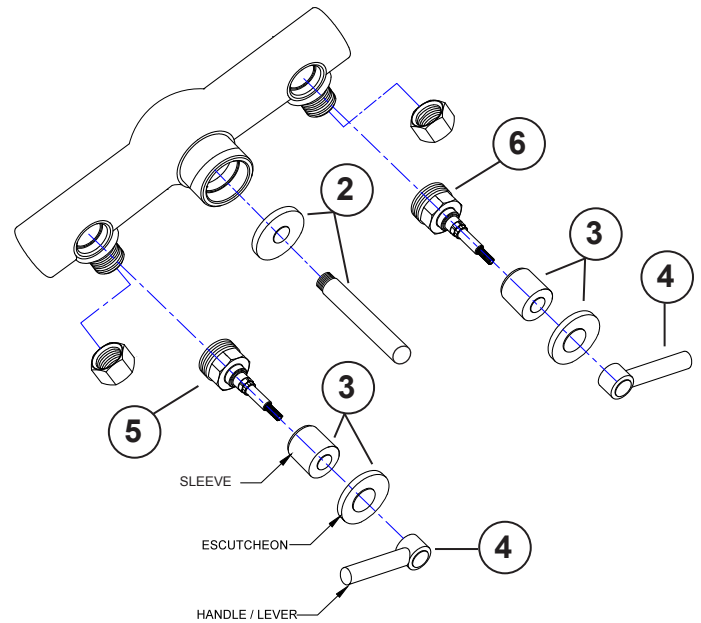


FIGURE 2



COMPONENT PARTS	
1	Rough Valve - RNY5550-EXT-RGH
2	Spout - 8110-WALL-SPOUT-***
3	Sleeve & Escutcheon (2) H-4601-***
4	Handle (2) - H-459-*** (Lever) / H-462-*** (Cross)
5	Hot Cartridge - 5550-EXT-HOT-CART
6	Cold Cartridge - 5550-EXT-COLD-CART

INSTALLATION

1. Install mixer and valve assembly in wall (Figure 1). Note: min/max dimensions from finished wall and min. finished wall hole sizes
2. Plumb hot and cold inlet with appropriate fittings
3. Install finished wall
4. Slide escutcheon onto spout
5. Using suitable thread sealant, thread spout into center outlet (Figure 2)
6. Thread trim cylinders onto hot and cold valves
7. Slide escutcheons onto trim cylinders and push up to finished wall
8. Install hot and cold lever or cross handles and tighten set screws

Note: Socket size needed to remove cartridge is 17MM

To learn more about JACLO's warranty, please visit [**jaclo.com**](http://jaclo.com)