

# INSTALLATION INSTRUCTIONS

## Contempo Two Handle, Wall Mounted Tub Filler Trim with Cross Handles

Part #8230-T-WT462

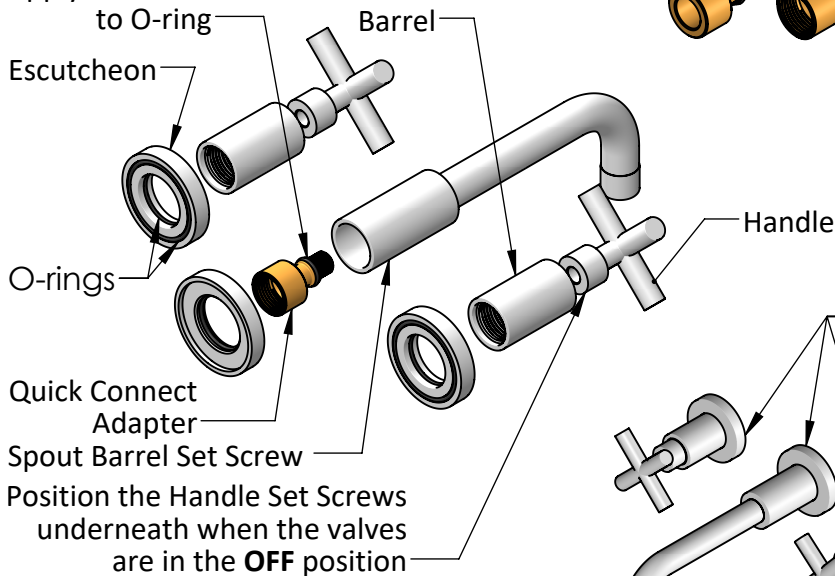
# JACLO®

Confidence from start to finish.™

### Materials provided:

- 2-Handle Tub Filler Trim assembly
- 1 Pkg. Installation hardware and Hex Key
- 2 Quick Connect Adapters (1/2" copper and 1/2" IPS)

Apply lubricant  
to O-ring



### Component Detail



### Recommended tools:

- Thread sealant
- O-ring lubricant
- Strapwrench



### Required rough-in:

JACLO P/N 5550-RGH

### Tub Spout Installation:

**Step 1:** Determine if the existing rough-in is either a 1/2" IPS or 1/2" copper sweat. The Spout rough-in pipe should protrude from the finished wall 3/4".

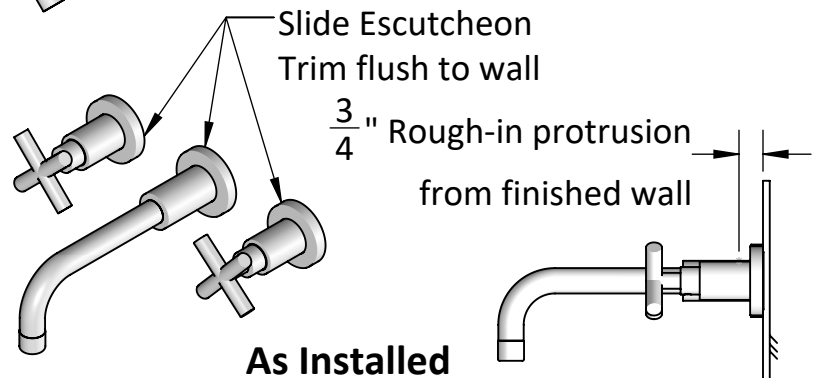
**Note:** Adapters are provided to receive either a 1/2" IPS male nipple, or 1/2" copper tubing.

**Step 2:** Install the appropriate Quick Connect Adapter specific to your installation (1/2" IPS or the 1/2" copper Adapter). Apply suitable thread sealant to all threaded connections.

**Step 3:** Lubricate the Adapter O-ring, then slide the Spout Escutcheon onto the Spout Barrel (to avoid scratching the Spout finish), and thread the Spout onto the Quick Connect Adapter. Tighten the set screw to secure the Spout, and slide the Spout Escutcheon flush to wall.

### Handle Installation:

Thread the Handle Barrels onto the hot and cold valves, then slide the Escutcheons onto the Barrels (to avoid scratching the Handle finish), then slide the Handles onto the shafts, and slide the Handle Escutcheons flush to the wall. Tighten set screws to secure each handle, note the set screws should face down in the **OFF** position.



To learn more about JACLO's warranty, please visit [\*\*jaclo.com\*\*](http://jaclo.com)