

INSTALLATION INSTRUCTIONS

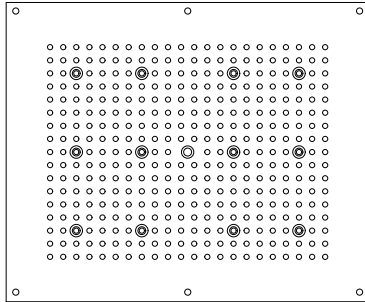
DREAM LIGHT RAIN CANOPY

Part #'s: 1620-DLRC, 1616-DLRC, 1212-DLRC, 16R-DLRC, 12R-DLRC
1620-DLCT, 1616-DLCT, 1212-DLCT, 16R-DLCT, 12R-DLCT
88-DLCT, 88-DLRC, 8R-DLCT, 8R-DLRC

JACLO®

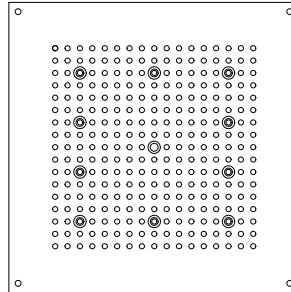
Confidence from start to finish.™

DREAM LIGHT



1620-DLRC

RETTANGO
18.5" x 23" - 12 LED



1616-DLRC

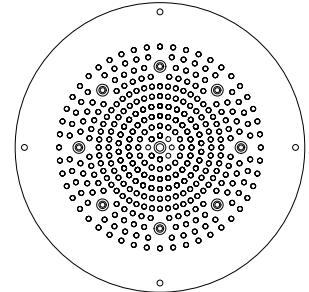
QUADRATO
18.5" x 18.5" - 10 LED

1212-DLRC

QUADRATO
14.5" x 14.5" - 4 LED

88-DLRC

QUADRATO
10.5" x 10.5" - 4 LED



16R-DLRC

CIRCOLARE
18.5" Diameter - 8 LED

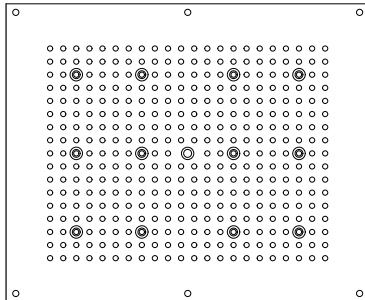
12R-DLRC

CIRCOLARE
14.5" - 4 LED

8R-DLRC

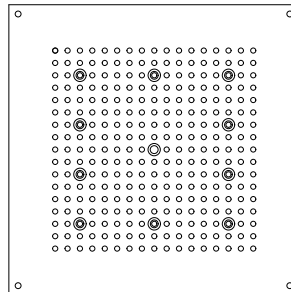
CIRCOLARE
10.5" - 4 LED

DREAM LIGHT CHROMATHERAPY



1620-DLCT

RETTANGO
18.5" x 23" - 12 LED



1616-DLCT

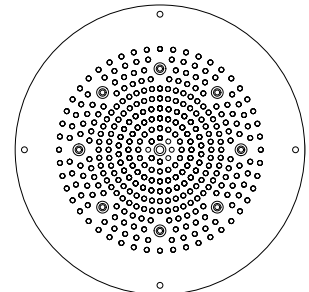
QUADRATO
18.5" x 18.5" - 10 LED

1212-DLCT

QUADRATO
14.5" x 14.5" - 4 LED

88-DLRC

QUADRATO
10.5" x 10.5" - 4 LED



16R-DLCT

CIRCOLARE
18.5" Diameter - 8 LED

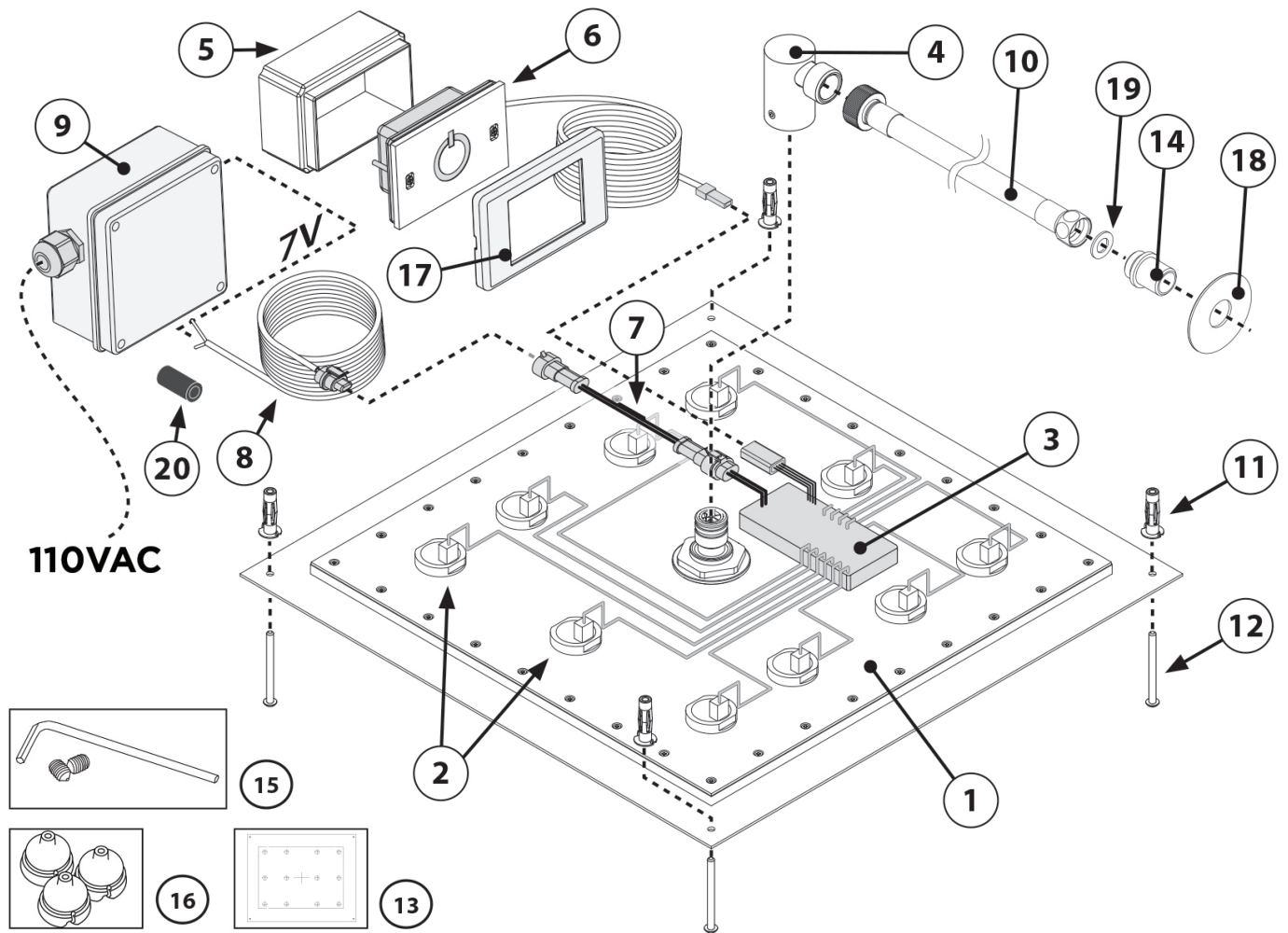
12R-DLCT

CIRCOLARE
14.5" - 4 LED

8R-DLRC

CIRCOLARE
10.5" - 4 LED

DREAM LIGHT COMPONENTS




01	Stainless steel shower head
02	LED
03	IP66/IP67 electronic board
04	Quick coupling connector to shower head
05	Recessed enclosure
06	Control keypad with 3m cable (other lengths available on request)
07	Connector with fuse
08	7V connection cable-5m long (other lengths available on request)
09	Power supply unit
10	Flexible hose 100cm 1/2"F X 1/2"F

11	False-ceiling plugs
12	Screws
13	Template
14	Adaptor Connection 1/2"M X 1/2"M
15	Hex key grub screws
16	Rubber nozzles (spare)
17	Chrome plate
18	Rosette
19	Seal
20	Electromagnetic filter

TECHNICAL FEATURES

PRODUCT	LEDs	FLOW RATES (gal/min)	PRODUCT WEIGHT (lbs.)	PRODUCT WEIGHT WITH WATER (lbs.)
1620-DLRC/ DLCT RETTANGO	12	4.23	23.15	25.46
1616-DLRC/ DLCT QUADRATO	10	4.23	18	20.61
1212-DLRC/ DLCT QUADRATO	4	3.70	15	17
16R-DLRC/ DLCT CIRCOLARE	8	4.23	15	17
12R-DLRC/ DLCT CIRCOLARE	4	3.70	10.58	11.68
8R-DLRC/ DLCT CIRCOLARE	4	2.37	5	6
88-DLRC/ DLCT QUADRATO	4	2.37	12	14

ELECTRICAL EQUIPMENT *Technical specifications*

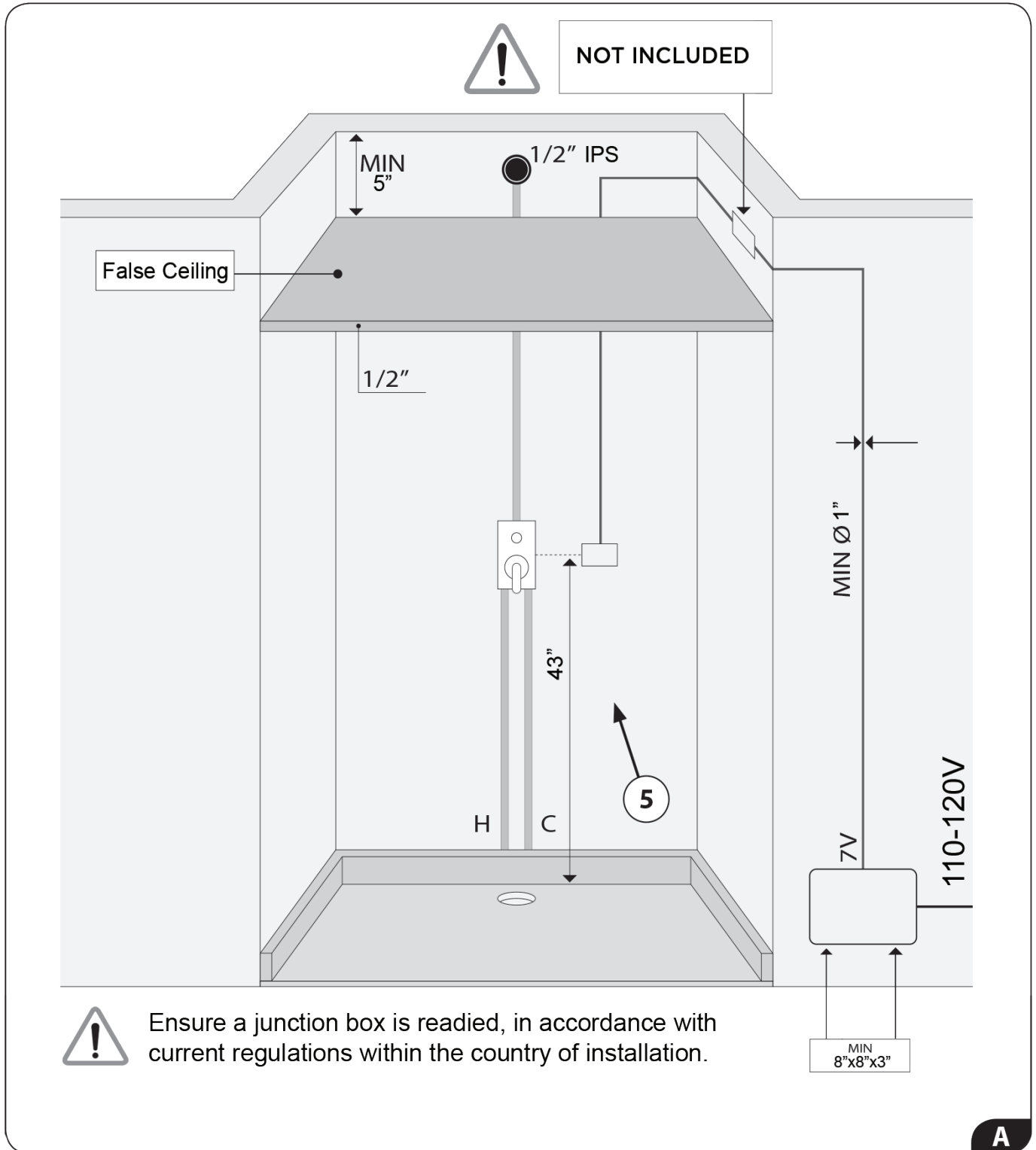
<i>Electric connection</i>	110VAC ~ 50-60 Hz - max 20w class of protection II
<i>Electric cable (supplied by customer)</i>	 External cable diameter: max 8.5mm
<i>1620-DLRC/DLCT RECTANGO</i>	12 low voltage LEDs
<i>1616-DLRC/DLCT QUADRATO</i>	4 low voltage LEDs
<i>1212-DLRC/DLCT QUADRATO</i>	10 low voltage LEDs
<i>16R-DLRC/DLCT CIRCOLARE</i>	4 low voltage LEDs
<i>12R-DLRC/DLCT CIRCOLARE</i>	8 low voltage LEDs
<i>8R-DLRC/DLCT CIRCOLARE</i>	4 low voltage LEDs
<i>88-DLRC/DLCT QUADRATO</i>	4 low voltage LEDs
<i>Safety Transformer</i>	110VAC ~ / 7V= 50-60 Hz to be installed outside the safety area (in compliance with standard DIN VDE 0100, part 107 - according to prescription CEI 64/8)
<i>Grade of protection</i>	IP67
<i>Safety mark</i>	CE

The electrical systems must be carried out by a qualified technician in accordance with the national and international laws in force. If no commands are sent to the system, a time-out function automatically shuts the system off after approx. 30 minutes.

Power should run through the wiring with the aid of a residual-current device (RCD) possessing a working residual current no higher than 30mA.

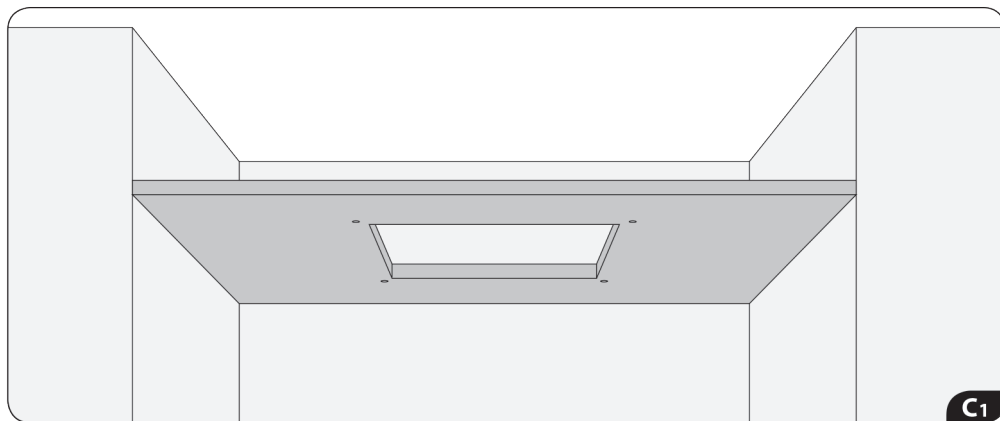
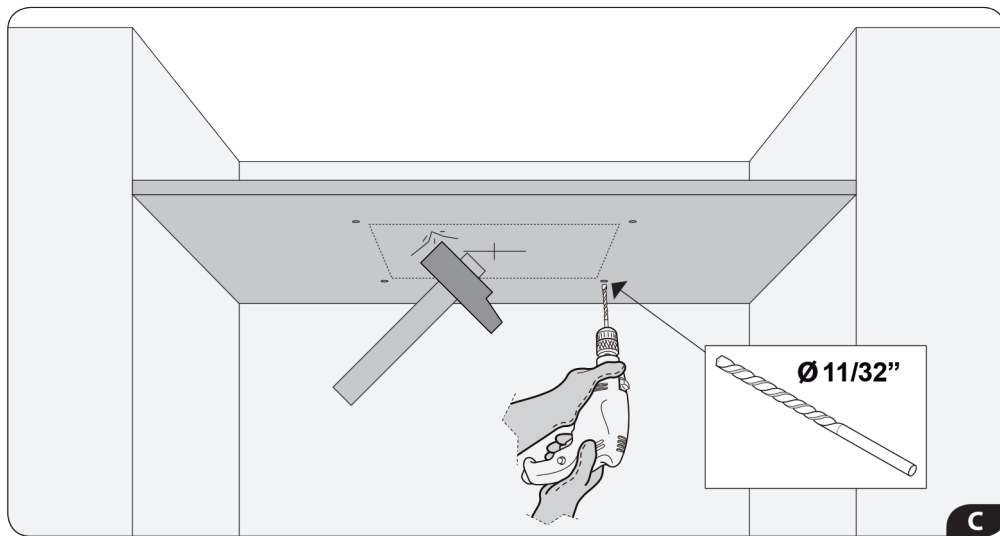
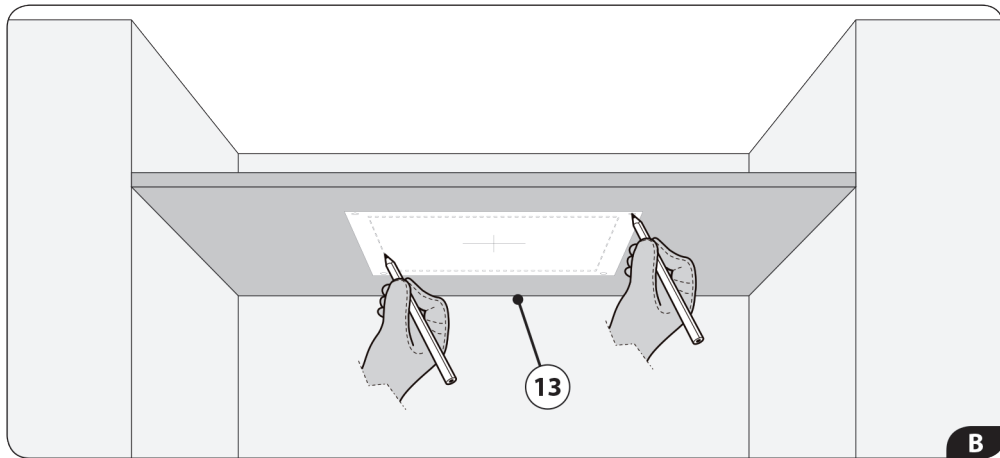
DREAM LIGHT RAIN CANOPY INSTALLATION

RECOMMENDED SET-UP

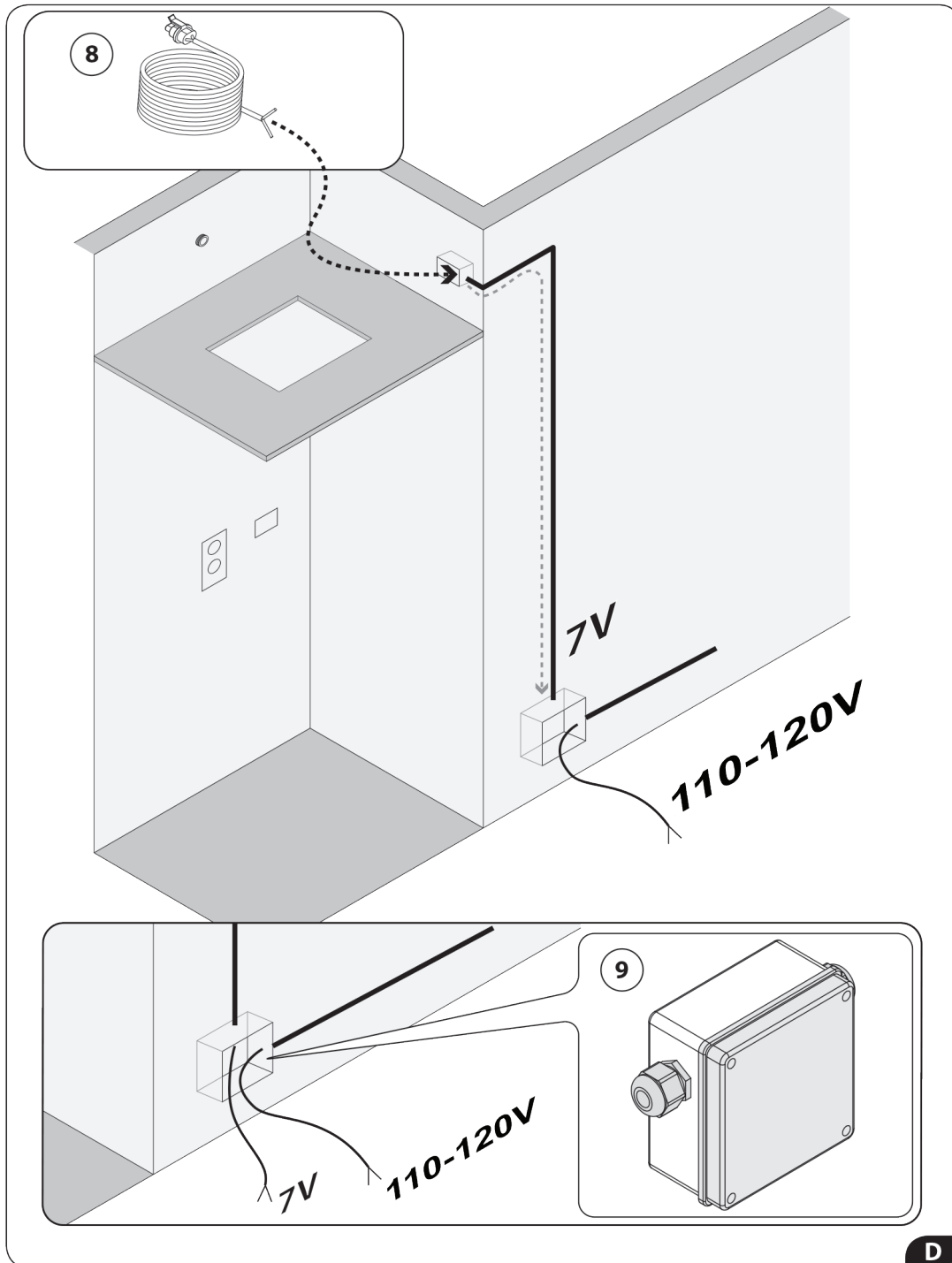


DREAM LIGHT RAIN CANOPY INSTALLATION

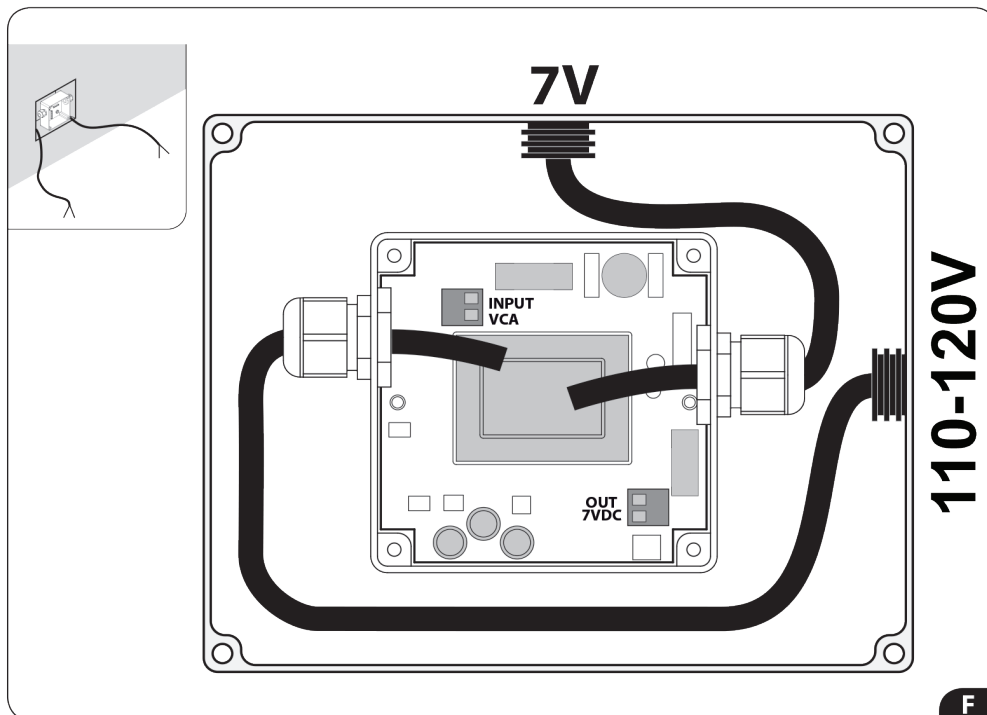
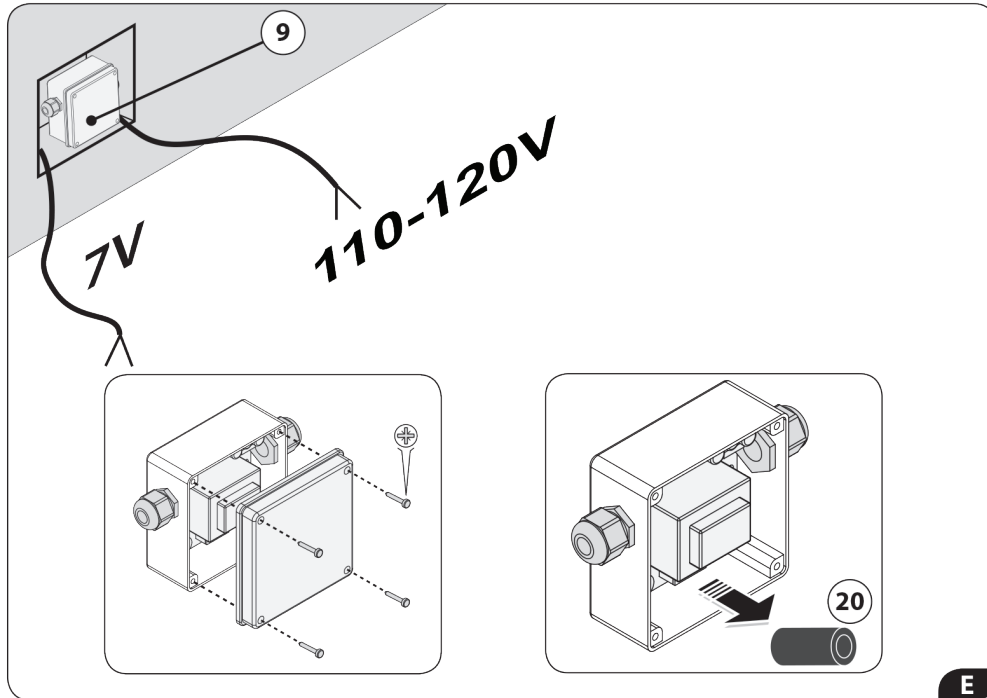
RECOMMENDED SET-UP



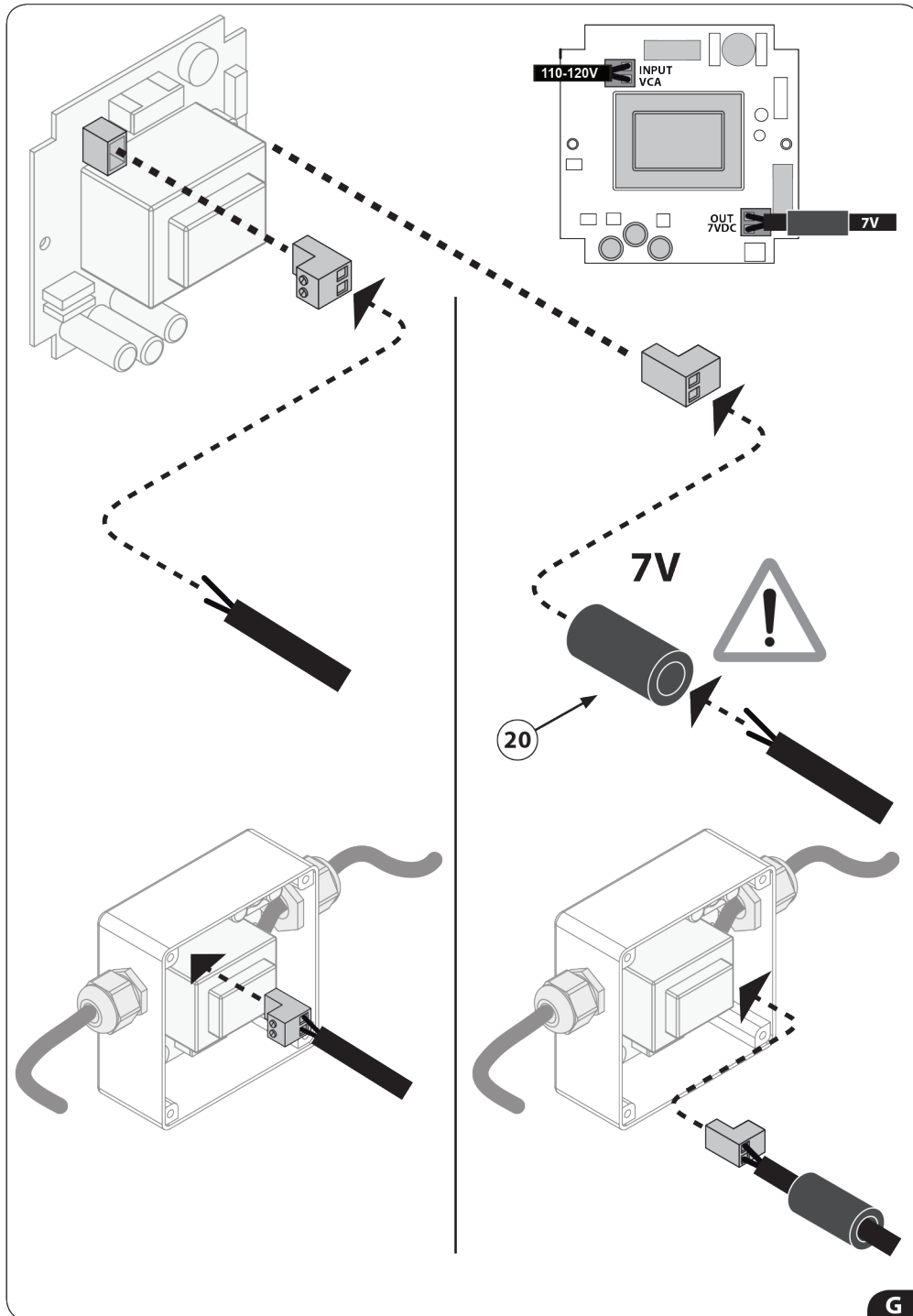
DREAM LIGHT RAIN CANOPY INSTALLATION



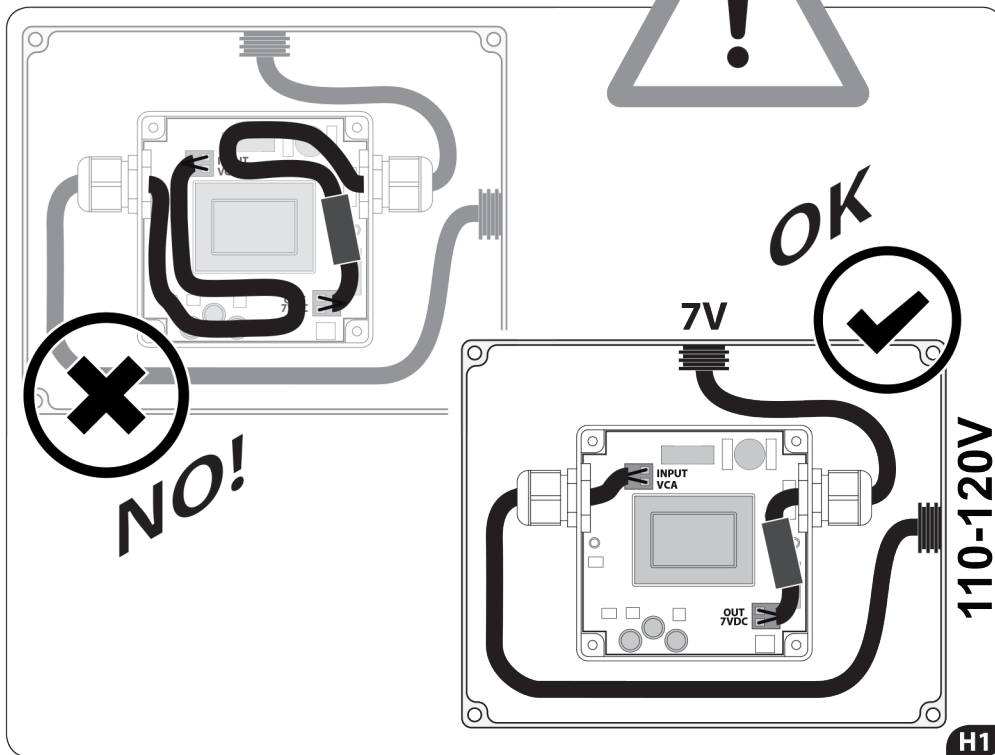
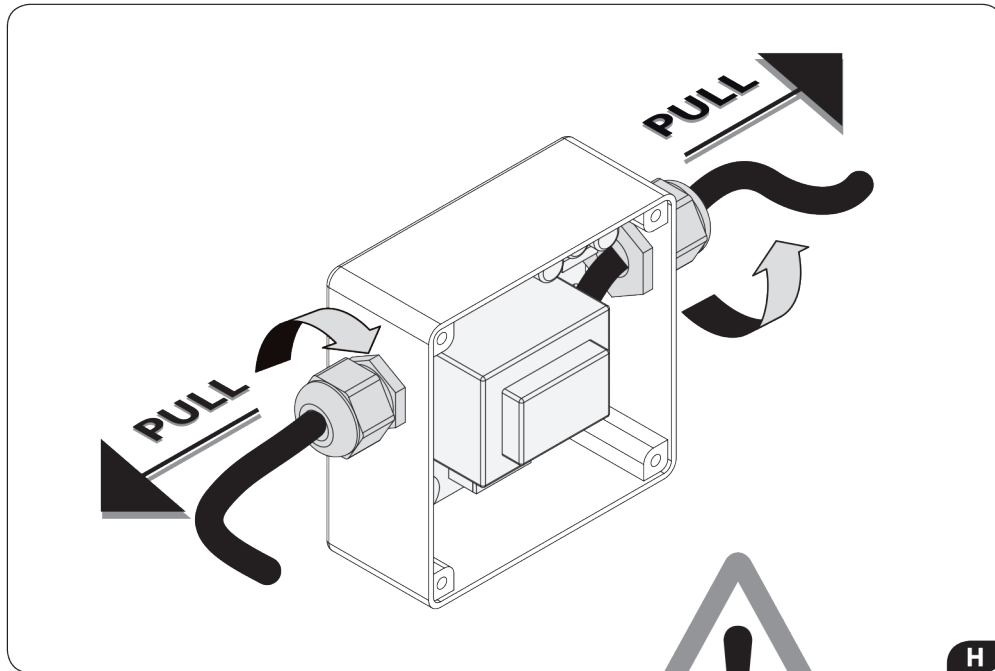
DREAM LIGHT RAIN CANOPY INSTALLATION



DREAM LIGHT RAIN CANOPY INSTALLATION

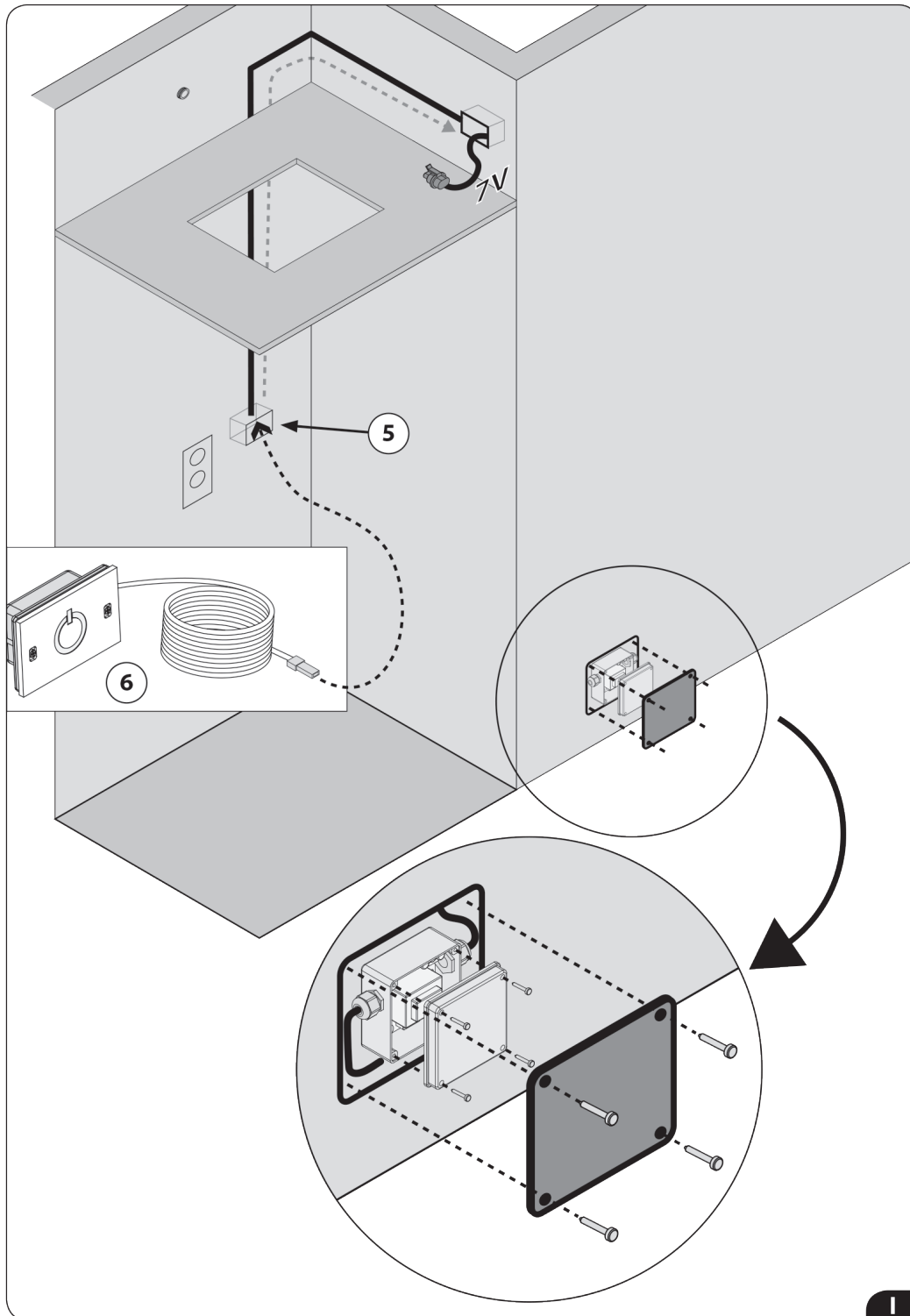


DREAM LIGHT RAIN CANOPY INSTALLATION



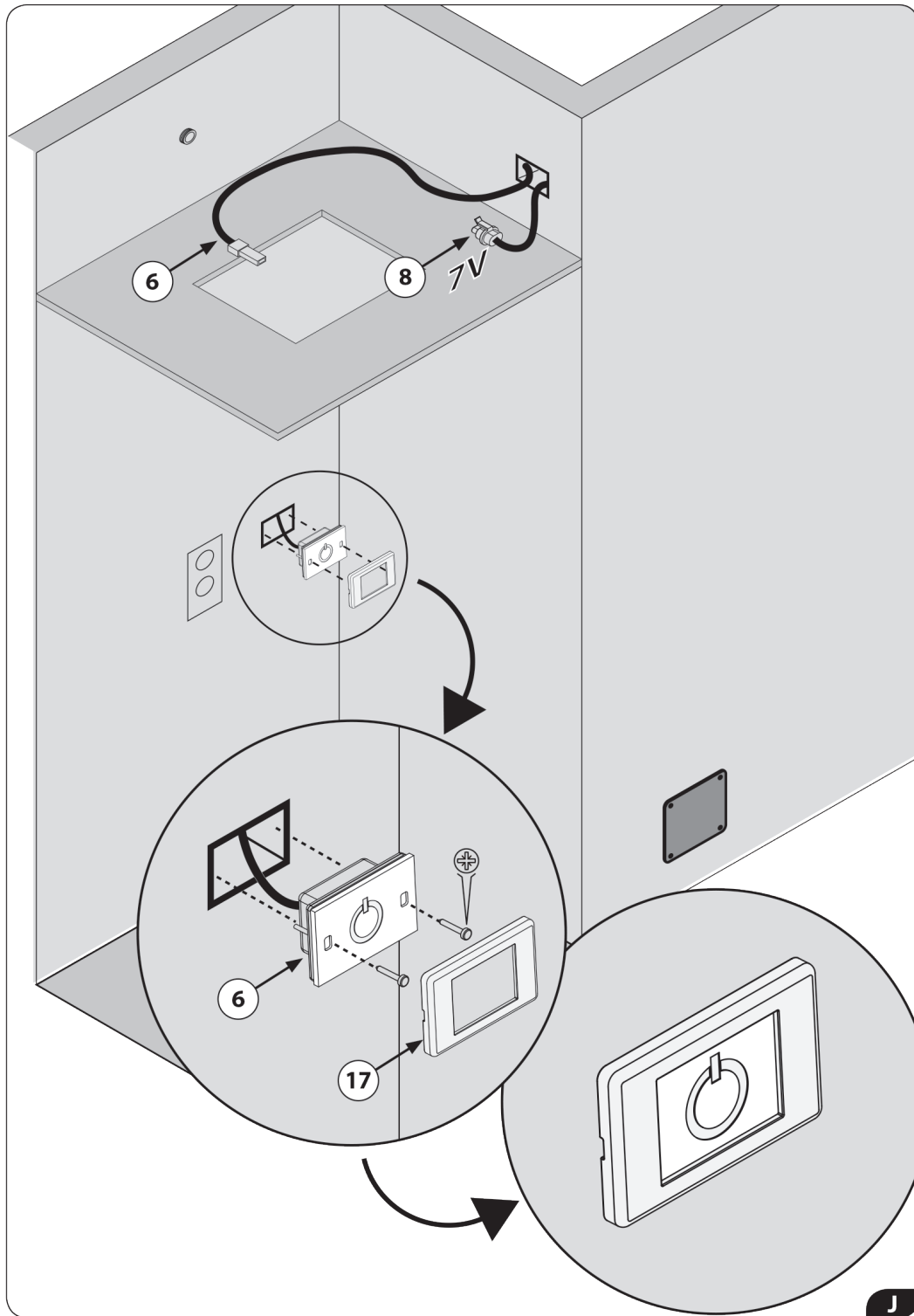
DREAM LIGHT RAIN CANOPY INSTALLATION

TOUCH PANEL OPTION INSTALL



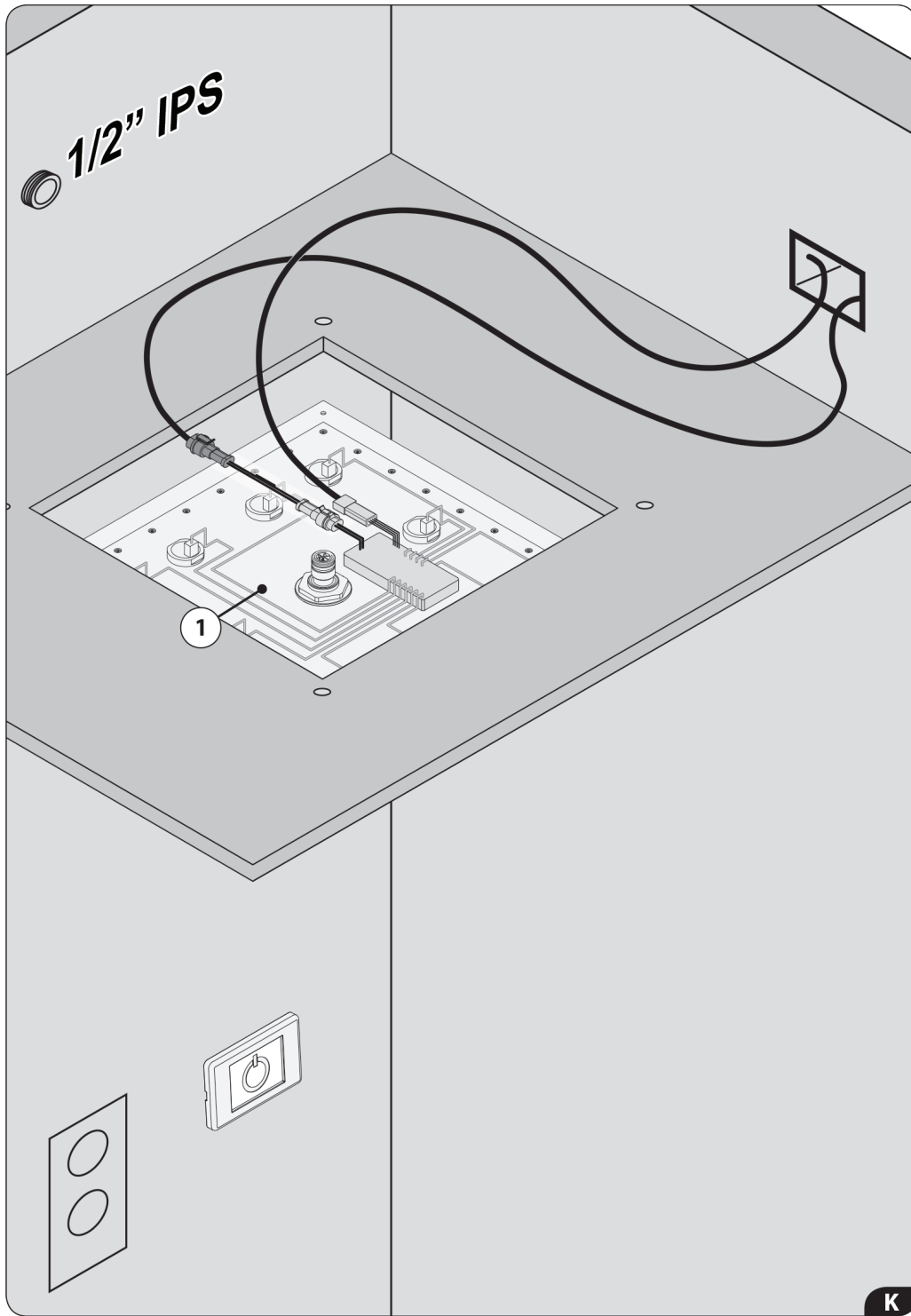
DREAM LIGHT RAIN CANOPY INSTALLATION

TOUCH PANEL OPTION INSTALL



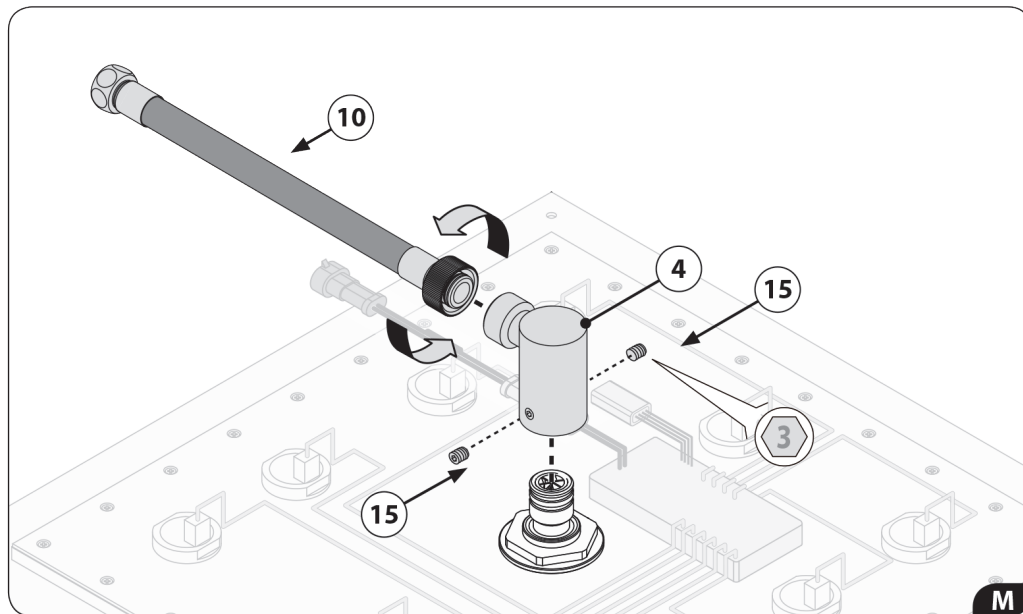
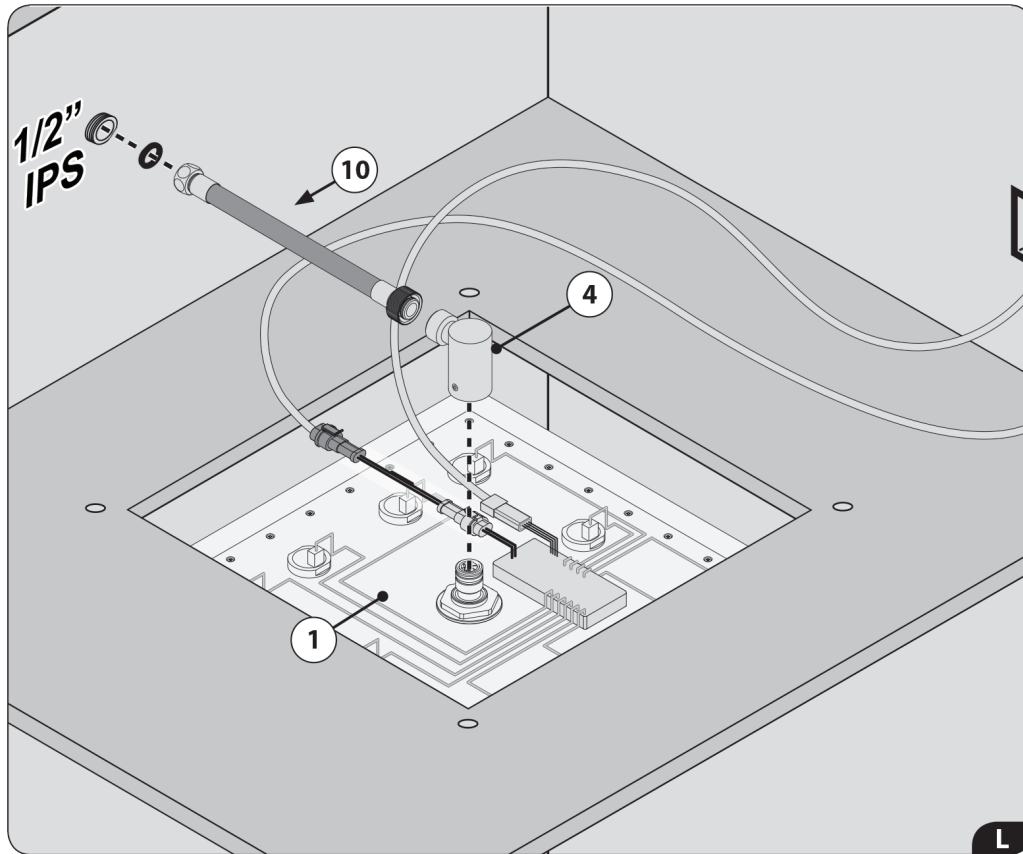
DREAM LIGHT RAIN CANOPY INSTALLATION

ELECTRICAL AND PLUMBING ASSEMBLY

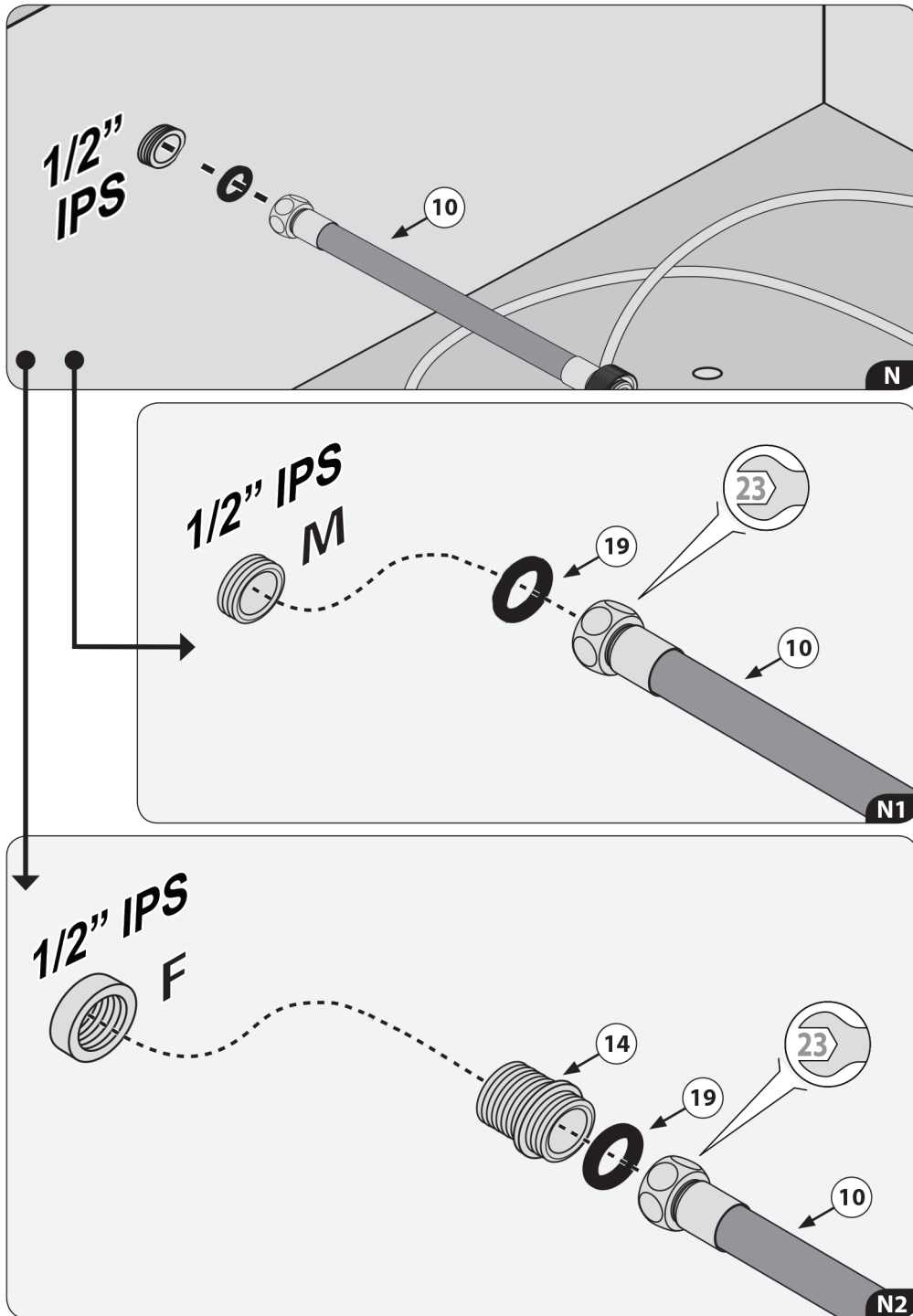


DREAM LIGHT RAIN CANOPY INSTALLATION

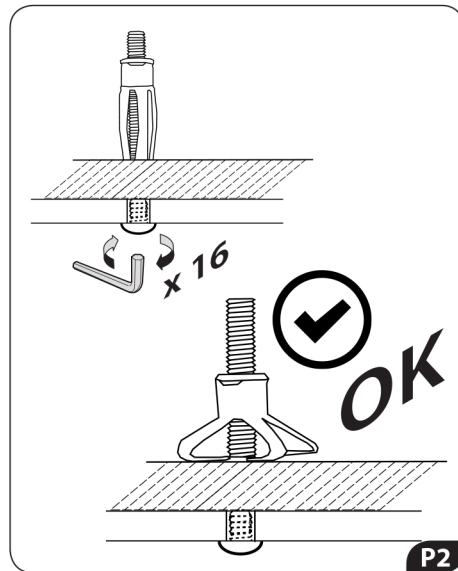
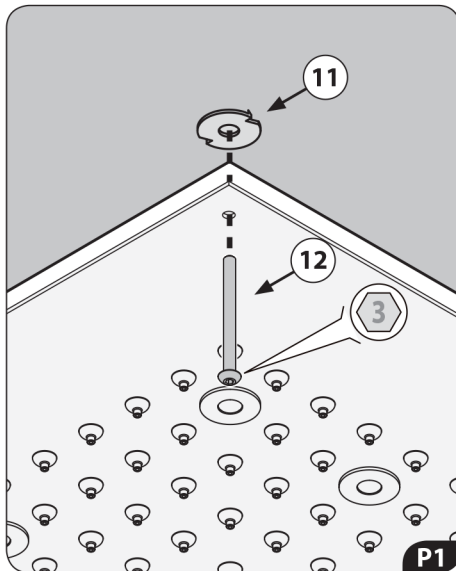
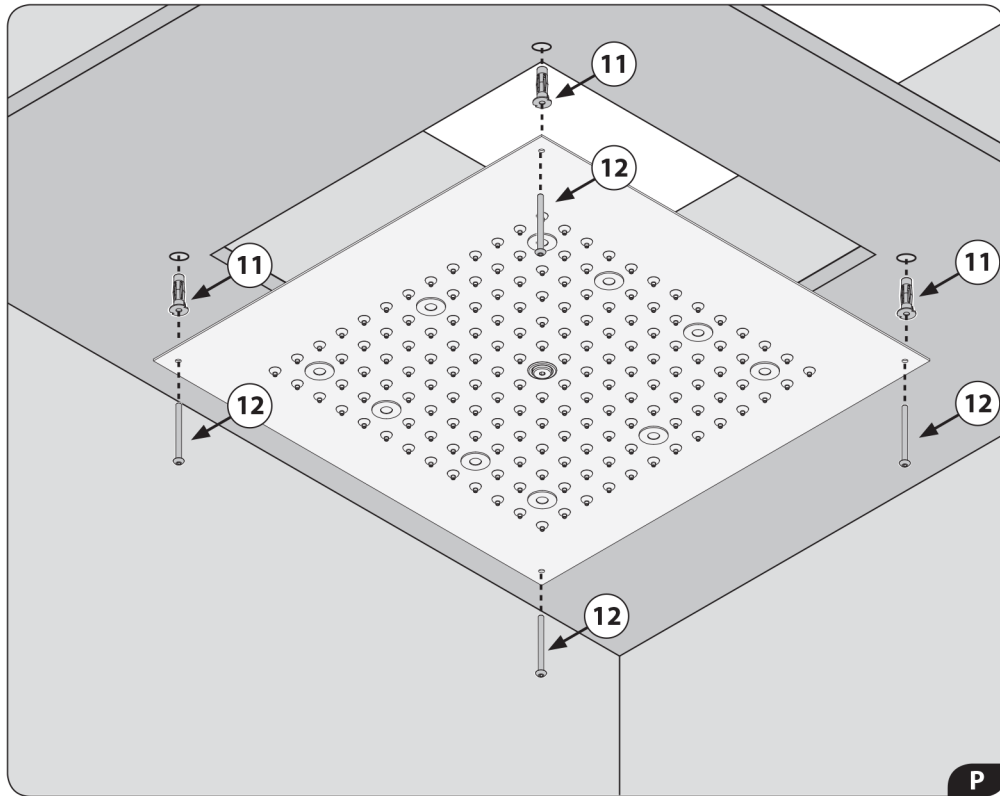
ELECTRICAL AND PLUMBING ASSEMBLY



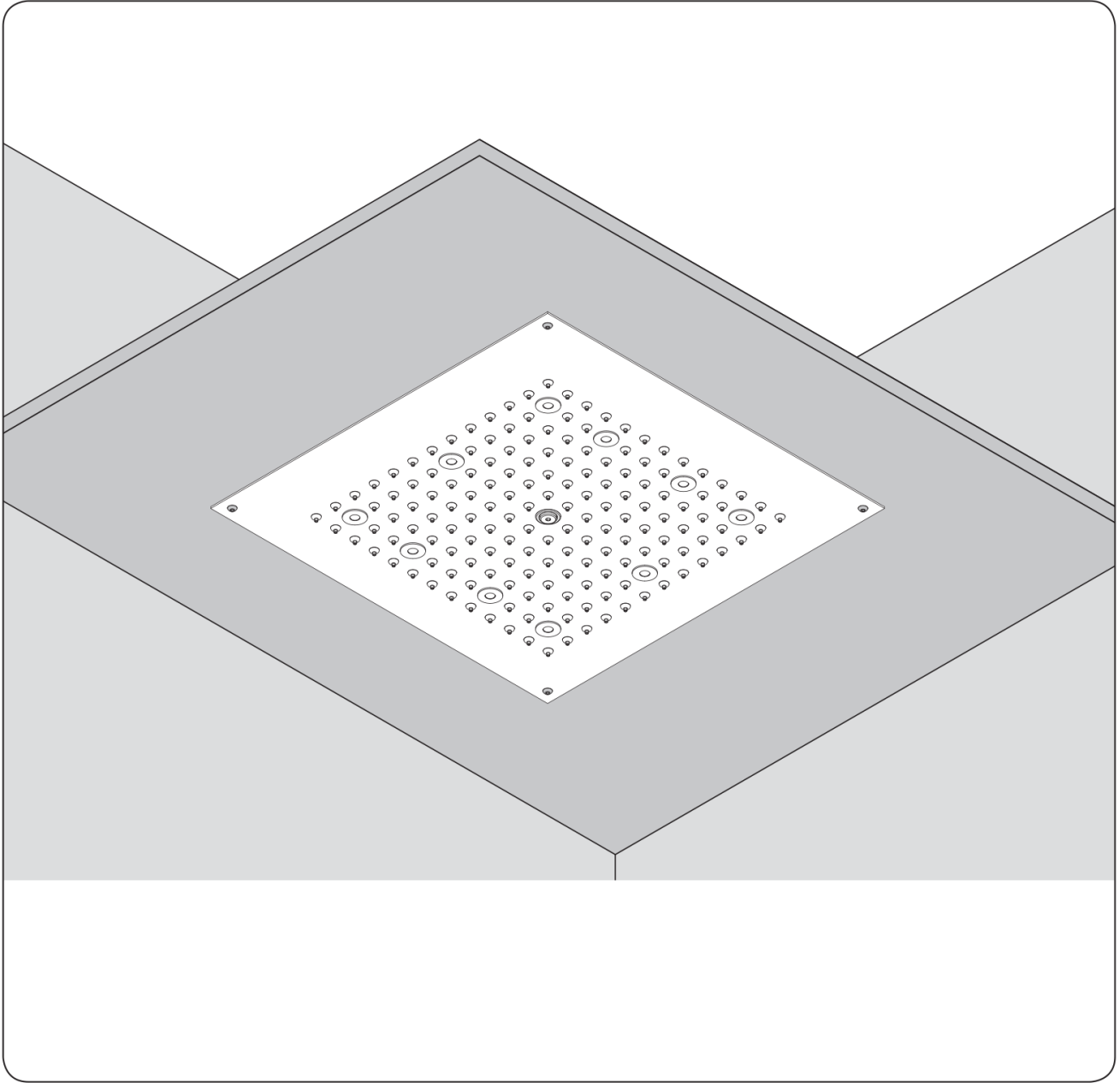
DREAM LIGHT RAIN CANOPY INSTALLATION



DREAM LIGHT RAIN CANOPY INSTALLATION

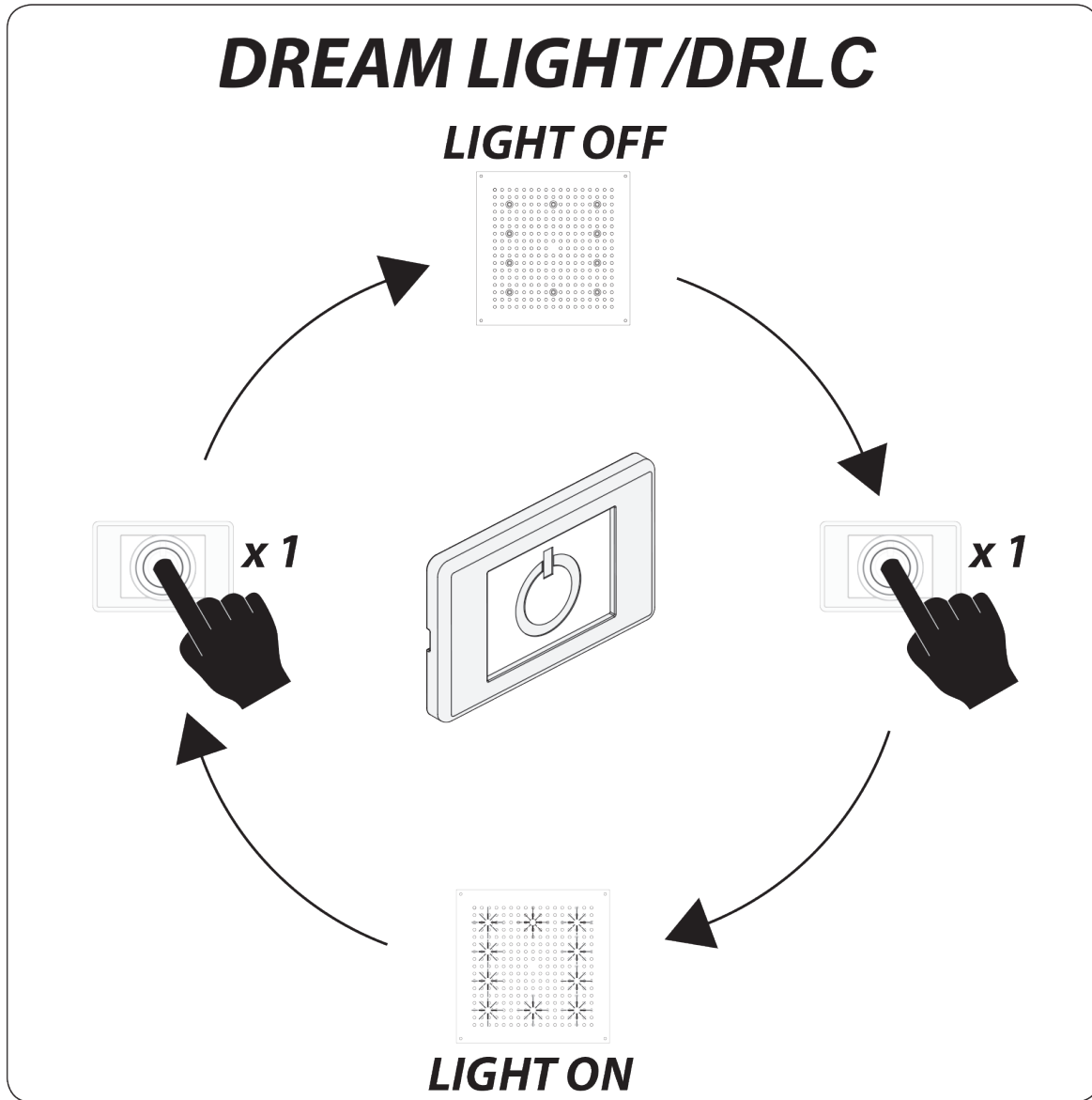


DREAM LIGHT RAIN CANOPY INSTALLATION



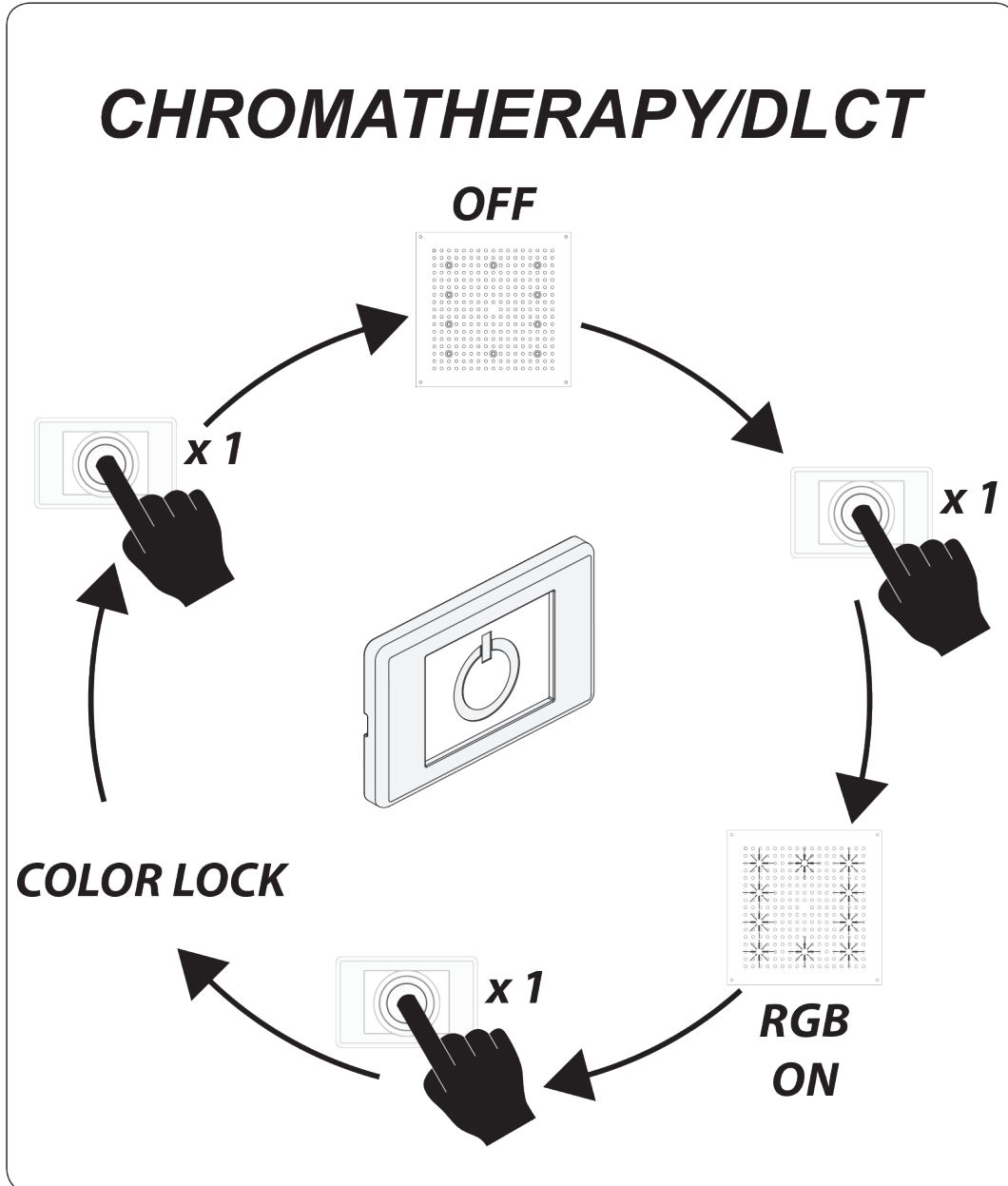
DREAM LIGHT RAIN CANOPY INSTALLATION

CONTROL KEYPAD OPERATION



If no commands are sent to the system, a time-out function automatically shuts the system off after approx. 30 minutes.

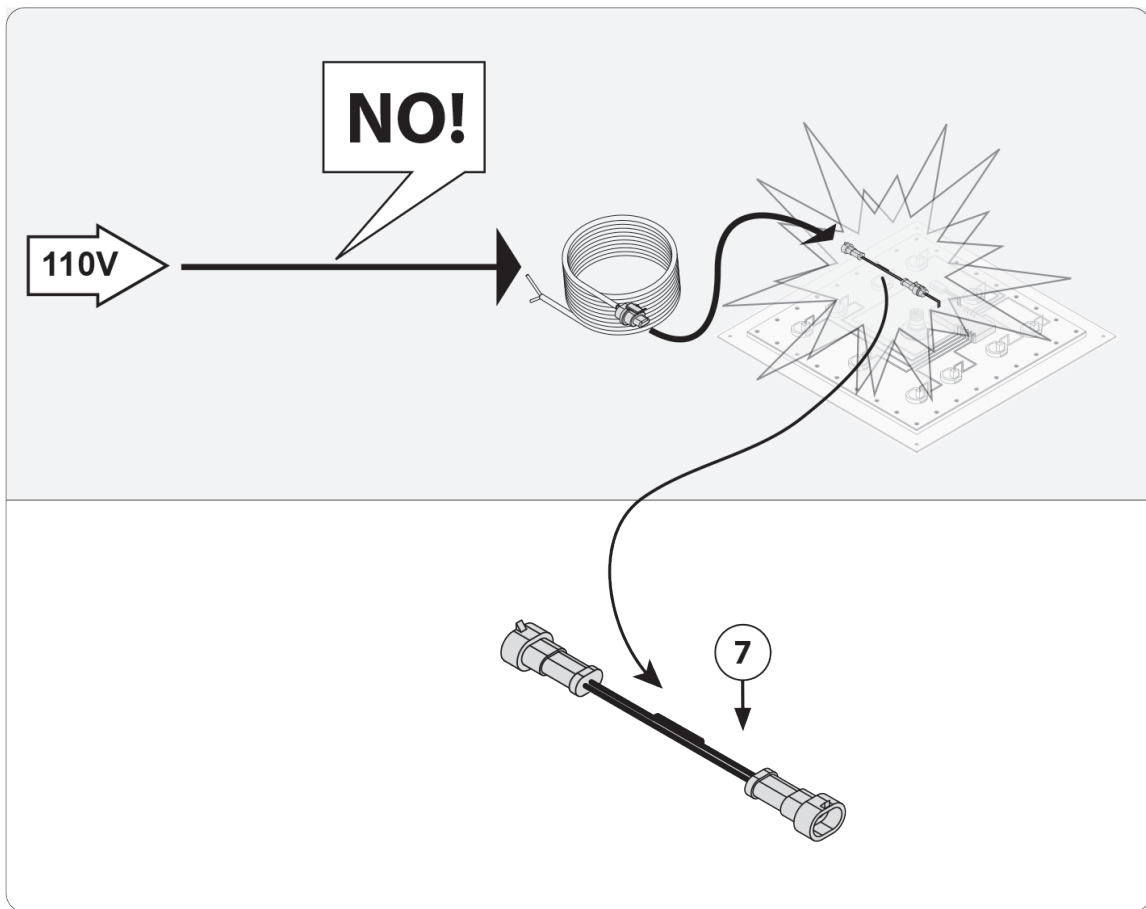
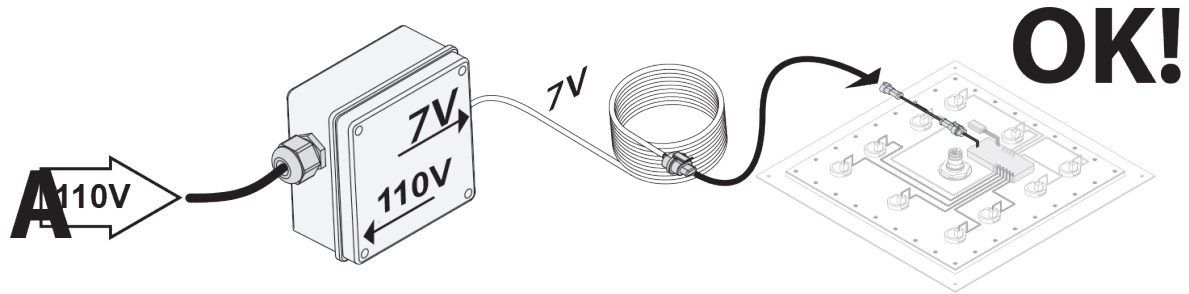
DREAM LIGHT RAIN CANOPY INSTALLATION
CONTROL KEYPAD OPERATION



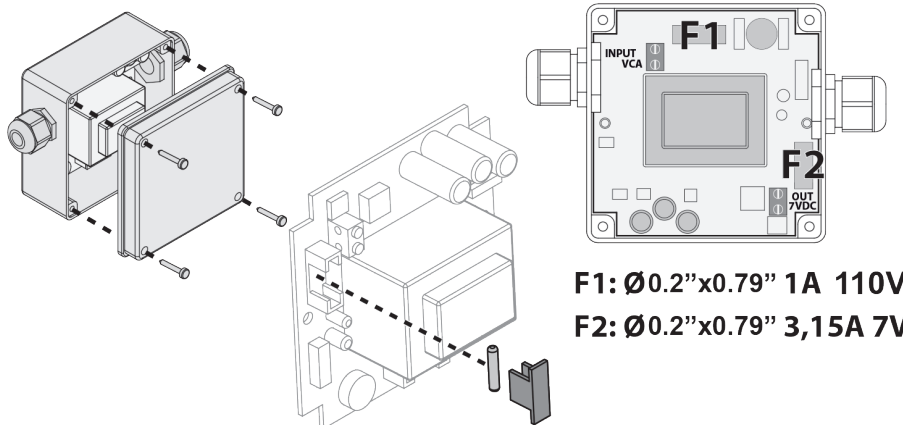
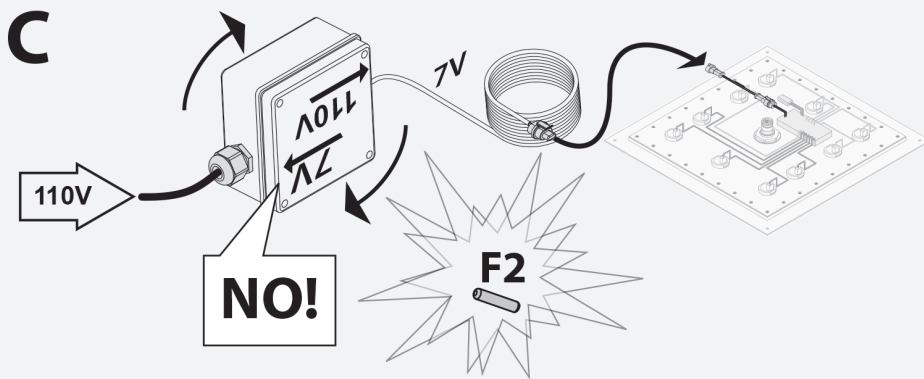
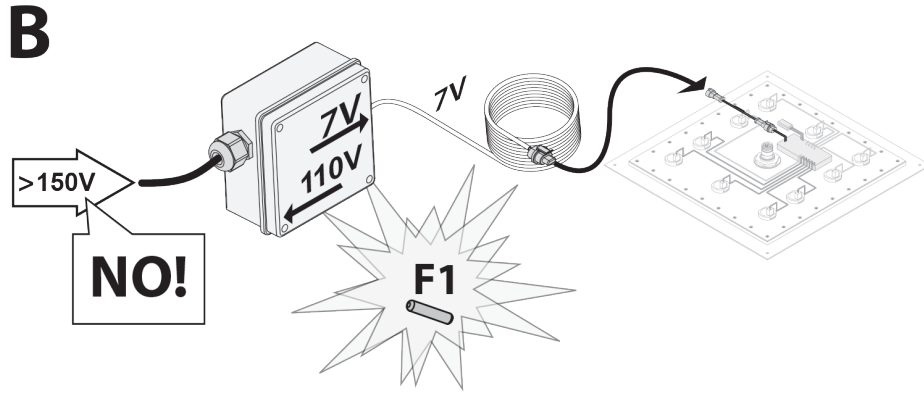
If no commands are sent to the system, a time-out function automatically shuts the system off after approx. 30 minutes.

DREAM LIGHT RAIN CANOPY INSTALLATION

In case of LEDs non-functioning check the installation and replace the fuses as illustrated

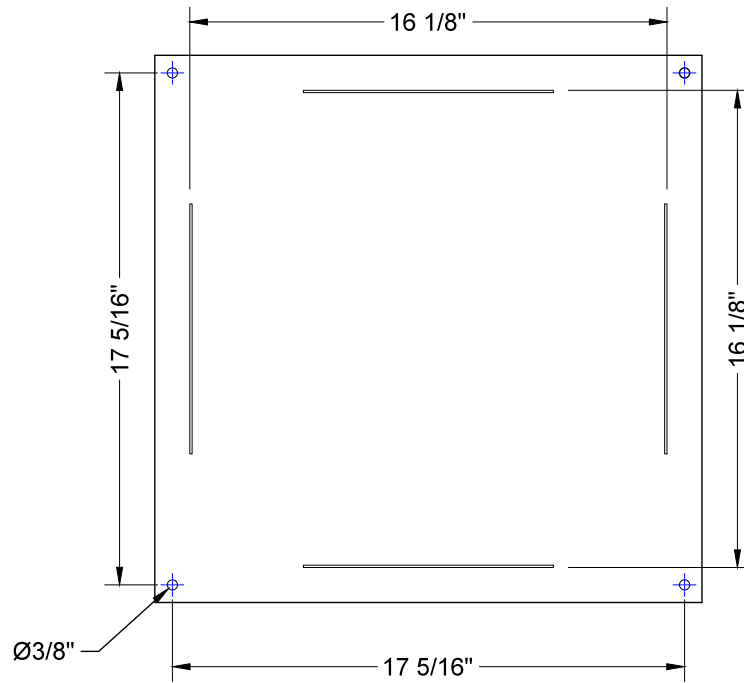


DREAM LIGHT RAIN CANOPY INSTALLATION

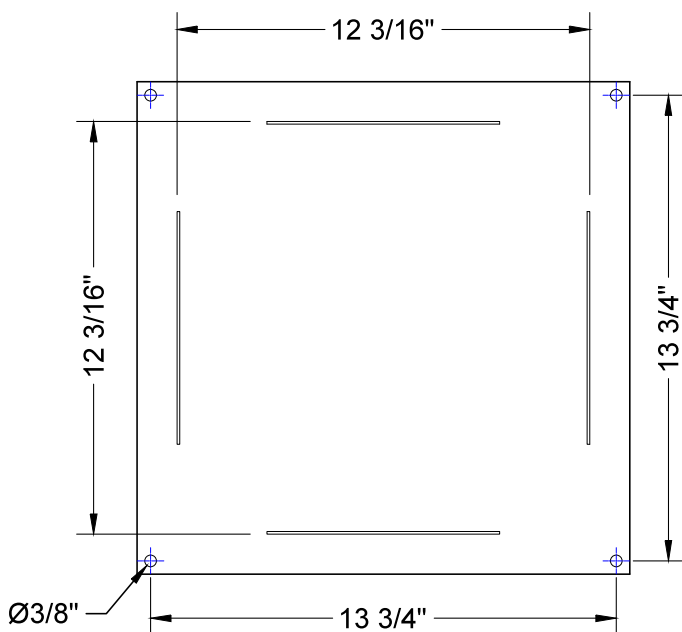


DREAM LIGHT RAIN CANOPY TEMPLATES

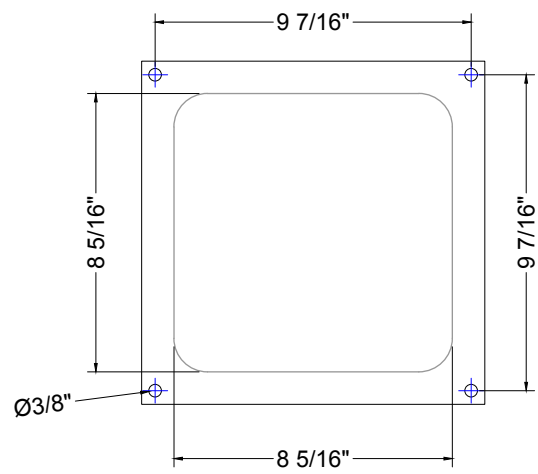
TEMPLATE FOR 1616-DLRC, & 1616-DLCT



TEMPLATE FOR 1212-DLRC, & 1212-DLCT

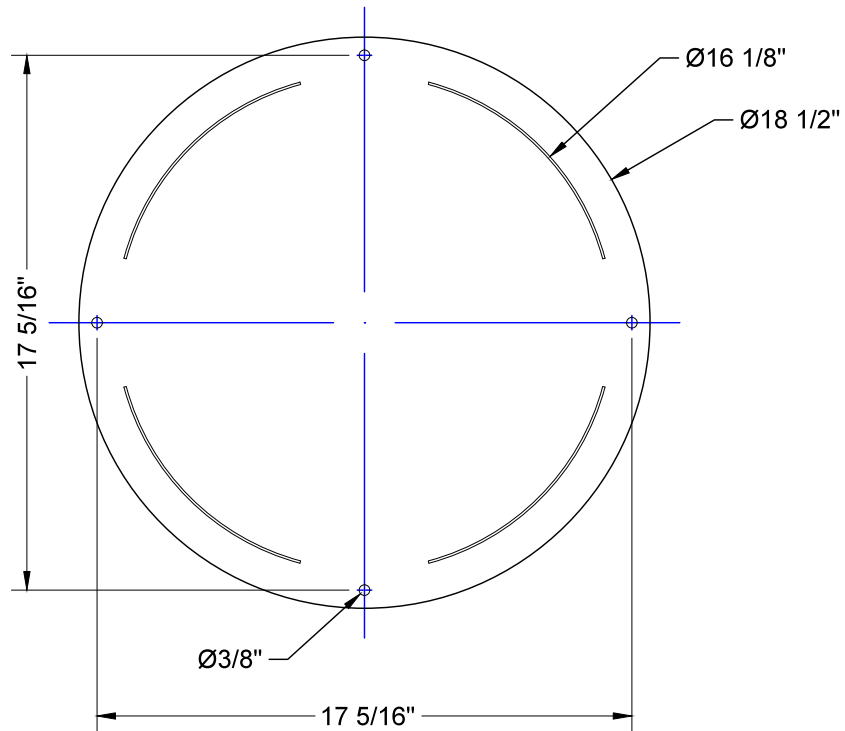


TEMPLATE FOR 88-DLRC, & 88-DLCT

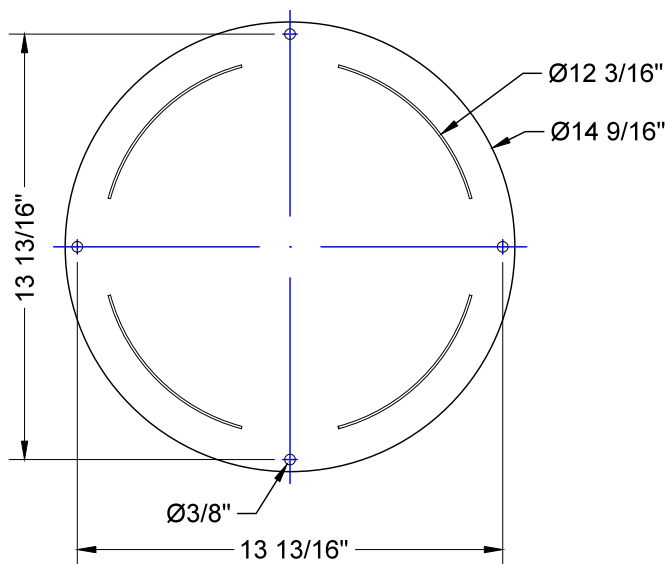


DREAM LIGHT RAIN CANOPY TEMPLATES

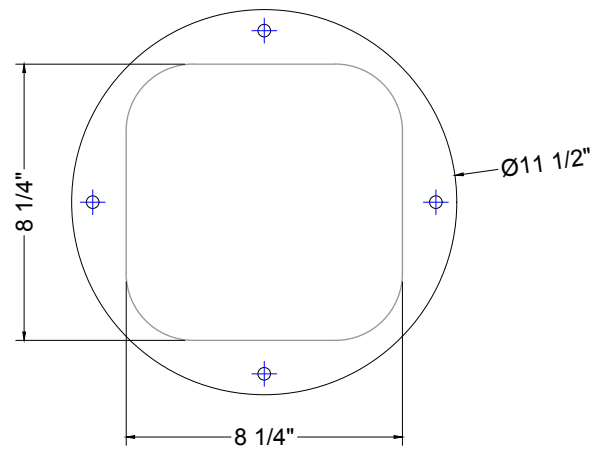
TEMPLATE FOR 16R-DLRC, & 16R-DLCT



TEMPLATE FOR 12R-DLRC, & 12R-DLCT

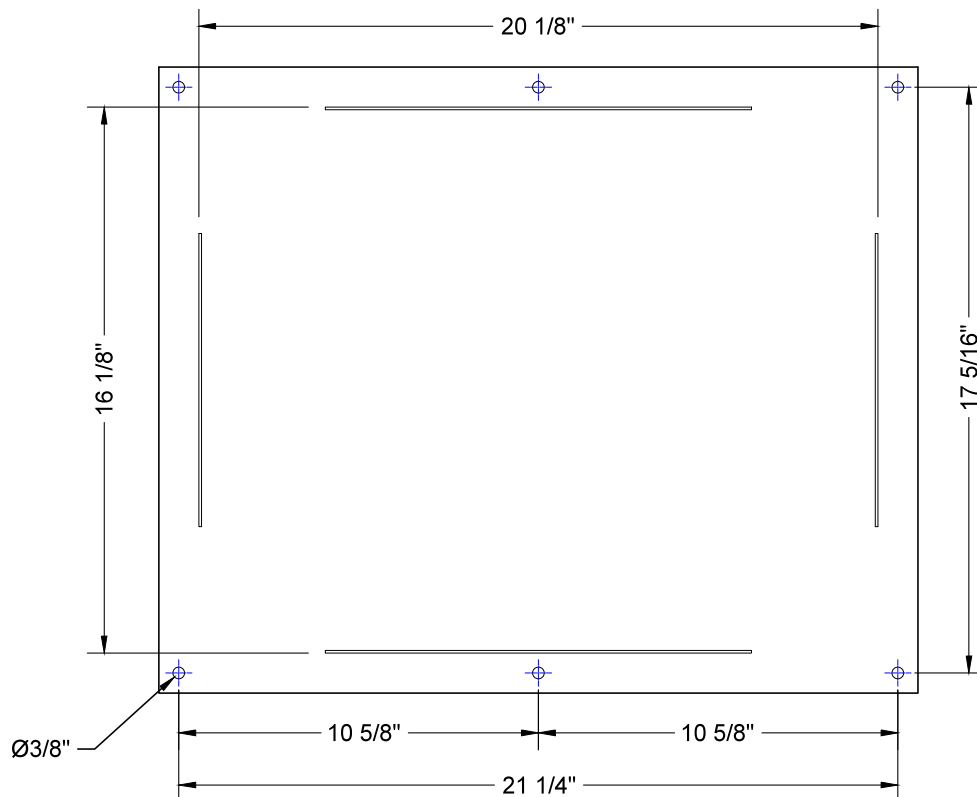


TEMPLATE FOR 8R-DLRC, & 8R-DLCT



DREAM LIGHT RAIN CANOPY TEMPLATES

TEMPLATE FOR 1620-DLRC, & 1620-DLCT



To learn more about JACLO's warranty, please visit [**jaclo.com**](http://jaclo.com)