

# INSTALLATION INSTRUCTIONS

Contempo Roman Tub Set  
Part #: 9980-

# JACLO®

Confidence from start to finish.®



## HANDLE STYLES



C



L



T672



T638



T462



T459



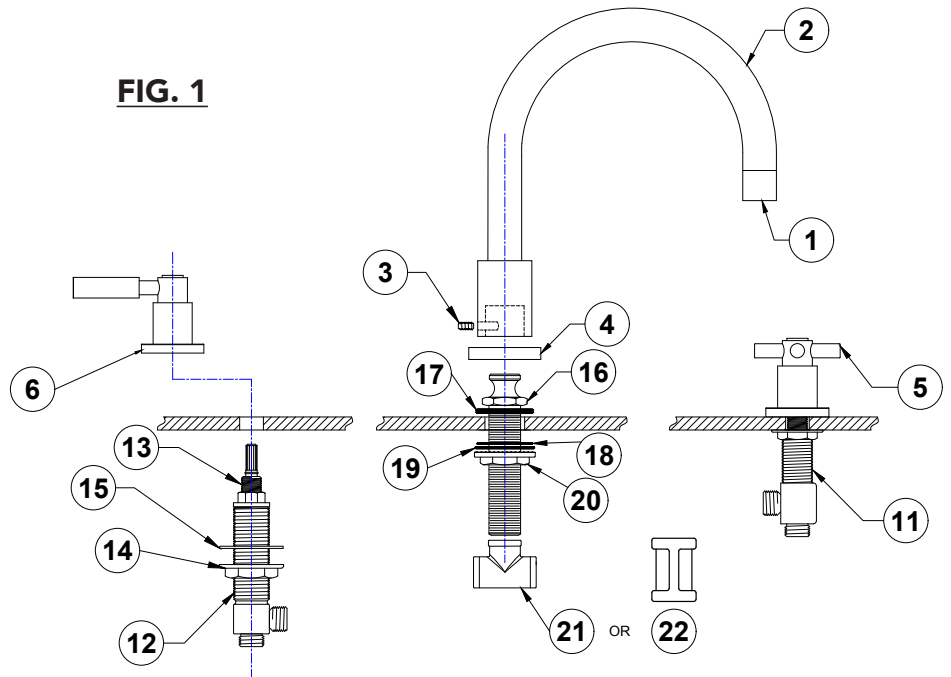
T630



T632

**FIG. 1**

		COMPONENT PARTS	
TRIM	1	Aerator	
	2	Tub Spout - 9980-SPOUT	
	3	Set Screw for Quick Connect	
	4	Spout Trim Ring	
	5	Handle - <i>Varies by Model</i>	
	6	Escutcheon - <i>Varies by Model</i>	
ROUGH	11	Cold Valve - RTC-RGH	
	12	Hot Valve - RTH-RGH	
	13	Cartridge (2) (Pre-installed)	
	14	Valve Body Nut (4)	
	15	Fiber Washer (4)	
	16	Quick Connect - 6912-QC-0	
	17	Brass Washer	
	18	Rubber Washer	
	19	Plastic Washer	
	20	Brass Nut	
	21	Brass Tee - 300-34-0	



## SPOUT QUICK CONNECT AND VALVE BODY ROUGH INSTALLATION

### SPOUT

1. Spout Hole should be 1-1/4" to 1-3/8" max, Valve holes 1-1/4" to 1-3/8" max.
2. Remove nut (20) and washers (19),(18) and (17) from spout, remove and discard rubber O-ring on bottom of quick connect (16) if not already removed.
3. Place BRASS Washer (17) up quick connect shaft (O-RING SIDE DOWN) and drop in from top of counter.
4. Re-install washers (18) and (19) and brass nut (20) and tighten.
5. Install Tee (21) with suitable pipe sealant.

### VALVES

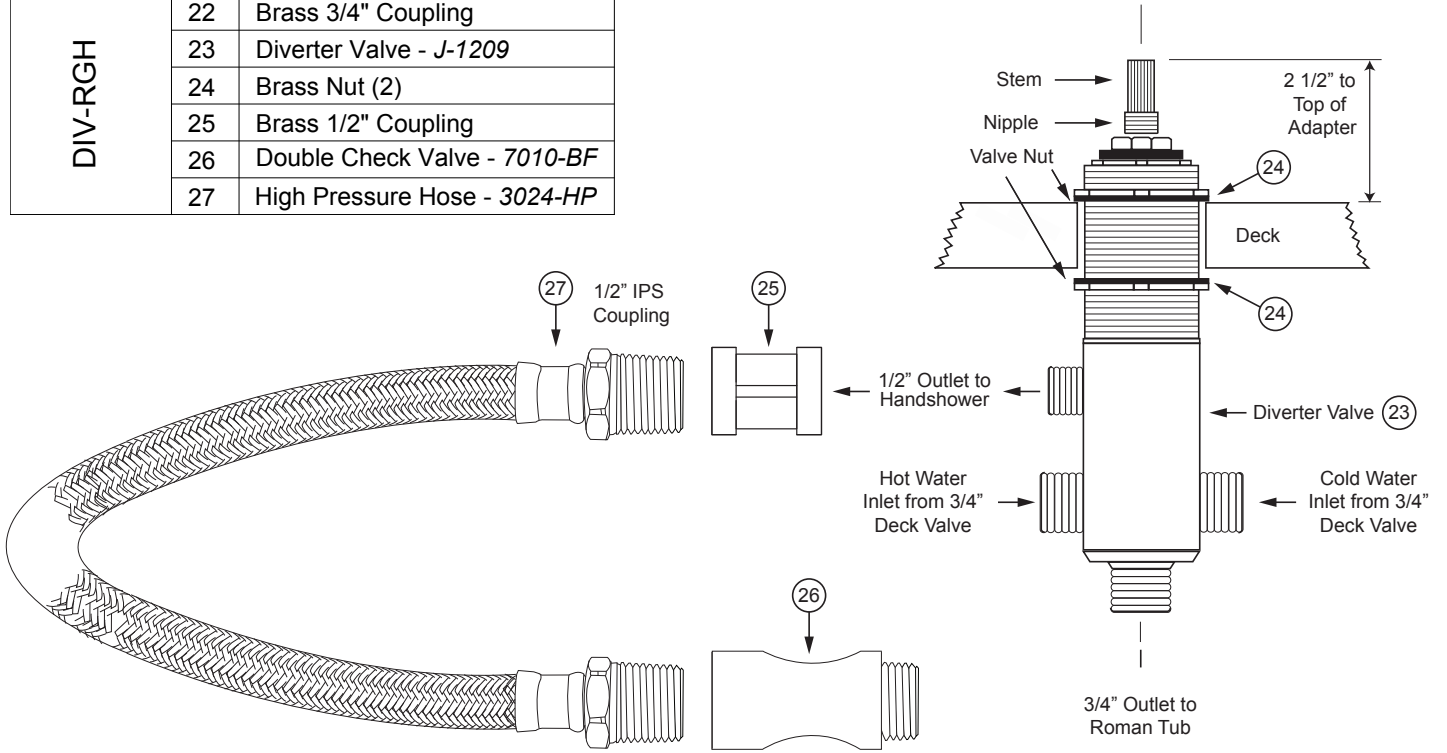
6. Remove upper body nut (14) and fiber washer (15).
7. Install Valve assemblies from under deck and replace top nut and washer. Refer to **Figures 4 & 5** for various handle/stem length. The top nut and washer will be replaced by escutcheon provided with trim.
8. Connect side outlet of hot and cold valve to Tee (21) by hose, or piping

**\*\*NOTE\*\*** WHEN USING THE J-6912-DIV-RGH, TEE (21) IS NOT USED, 3/4" COUPLING (22) IS SUPPLIED

# INSTALLATION FOR DIVERTER & HANDSHOWER IF USED

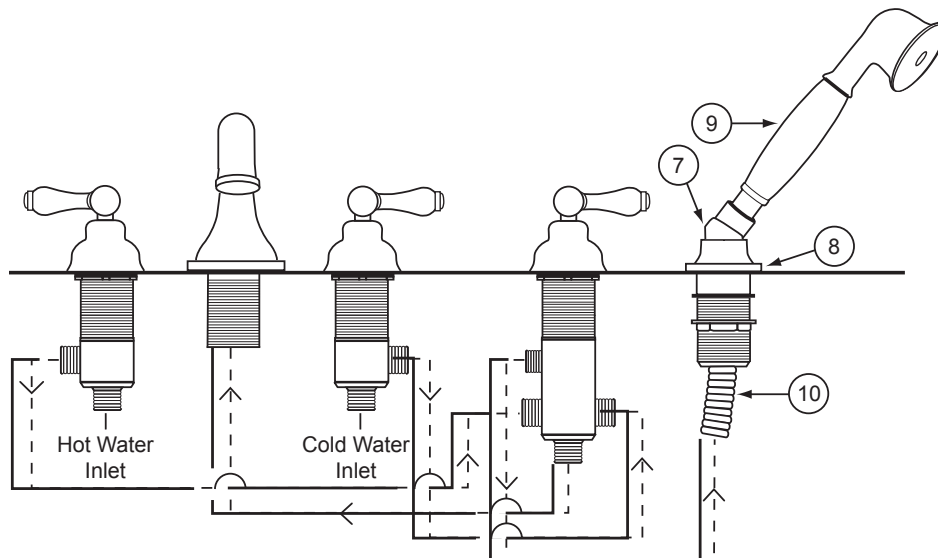
COMPONENT PARTS		
DIV-TRIM	7	Handshower Base - 8029/8030
	8	Sleeve for Deck Mount - 8019
	9	Handheld - (Sold Separately)
	10	Hose - 3060-DS
DIV-RGH	22	Brass 3/4" Coupling
	23	Diverter Valve - J-1209
	24	Brass Nut (2)
	25	Brass 1/2" Coupling
	26	Double Check Valve - 7010-BF
	27	High Pressure Hose - 3024-HP

**FIG. 2**



FOR ILLUSTRATION PURPOSES ONLY (STYLES VARY)

**FIG. 3**



## INSTALLATION FOR DIVERTER & HANDSHOWER IF USED (CONTINUED)

1. Drill 1-1/2" hole in desired location for diverter. Maximum deck thickness is 2-1/4" for diverter only. Roman tub spouts and valves may differ and must be checked.
  2. Remove top valve nut **(24)** from valve (retain for temporary install until trim is installed).
  3. Thread bottom valve nut **(24)** all the way down diverter valve **(23)**.
  4. Slide valve (from underneath) through deck and temporarily install top valve nut to keep in position until Trim is ready for installation (approximately 2-1/4" from top of spline to deck). Hand tighten.
  5. Secure 1/2" coupling **(25)** to outlet on valve (as indicated)
  6. Secure high pressure hose **(27)** to 1/2" coupling.
  7. Connect double check valve **(26)** to high pressure hose.
  8. Connect Hot and Cold water supplies to diverter valve as shown.
- \*\* MAKE SURE ANY SOLDER CONNECTIONS ARE AT LEAST 1-1/2" AWAY FROM VALVE BODY\*\***
9. Connect bottom of diverter valve to spout quick connect **(16)**.

# TRIM INSTALLATION

## SPOUT

1. Place spout trim ring on top of quick connect **(16)**, loosen set screw **(3)** and place spout **(2)** on quick connect and push until it clicks into place and tighten set screw **(3)**.

## HANDLES

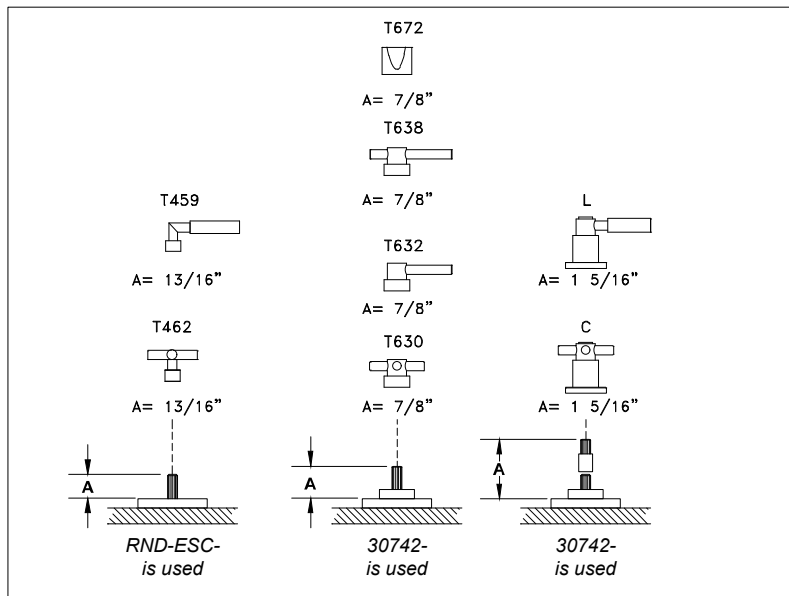
2. Install as per **Figures 4 & 5**, various handles have different escutcheons and stem measurements.

## DIVERTER HANDLE

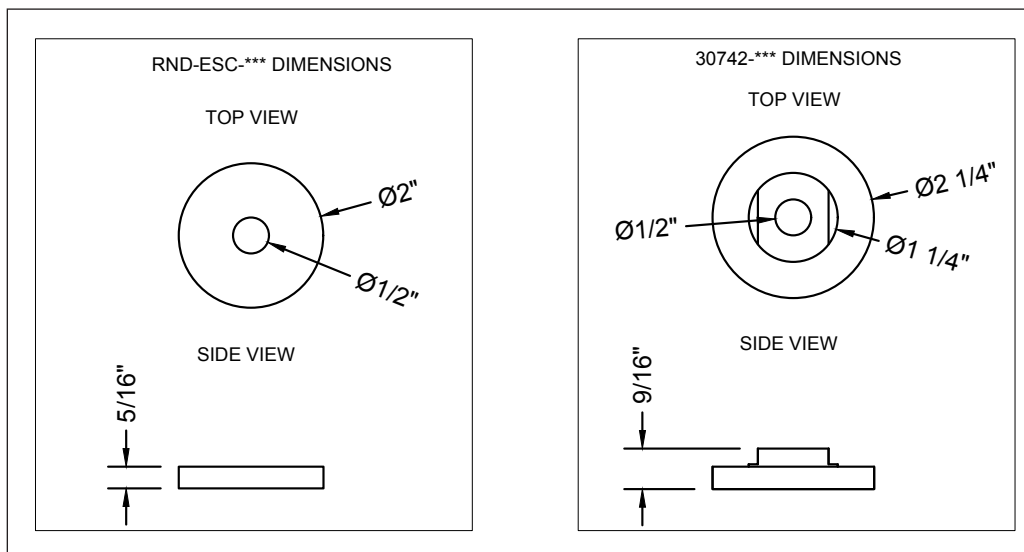
3. Install as per **Figures 4 & 5**, various handles have different escutcheons and stem measurements.

## HANDSHOWER & HOSE

4. Install sleeve for deck mount **(8)** by drilling 1-1/4" hole in deck. Remove bottom brass nut and metal washer, drop in mount from above deck (rubber washer between mount and deck) and secure with washer and nut.
5. Attach nut end of hose **(10)** to double check valve **(26)**. \*ENSURE WASHERS ARE IN PLACE\*
6. Put hose through deck mount **(8)** and attach handshower base **(7)**.
7. Attach handshower to handshower base.



**FIG. 4**



**FIG. 5**

To learn more about JACLO's warranty, please visit [\*\*jaclo.com\*\*](http://jaclo.com)