

INSTALLATION INSTRUCTIONS

Concealed Box Rough for FST

Part #9990-FST-BOX-RGH



Materials provided:

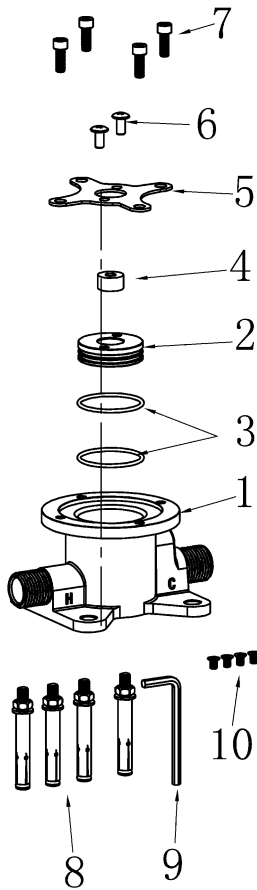
Concealed Box Body

Installation Hardware (shown below)



Recommended tools:

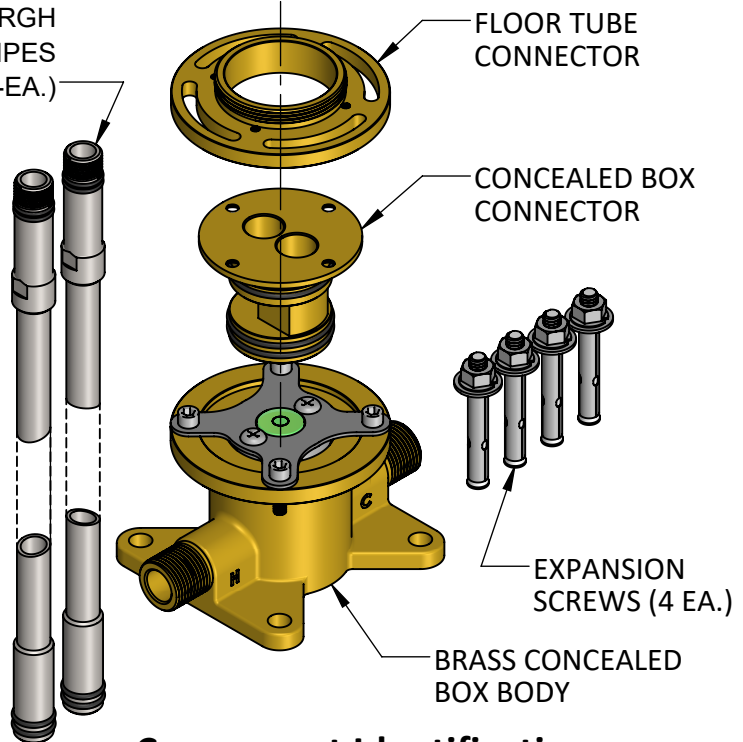
- Adjustable Wrench
- Phillips Screwdriver
- Plumbers Putty
- Pipe Tape
- Pliers



12	Washer	4	SUS
11	Washer	4	SUS
10	Screws	4	SUS
9	4MM Hex Wrench	1	SUS
8	Expansion Screws	4	SUS
7	Screws	4	SUS
6	Screws	2	SUS
5	Stainless Steel Plate	1	SUS
4	Air Bubble Level	1	ABS
3	O-ring	2	NBR
2	Plug	1	ABS
1	Brass Concealed Box Body	1	Brass
NO.	Name of Component	QTY	Material

**Box Body Details
& Hardware B.O.M.**

9990-INLET-RGH
WATER INLET PIPES
28-5/8" LONG (2-EA.)



Component Identification
(parts shown are included in kit)

INSTALLATION INSTRUCTIONS

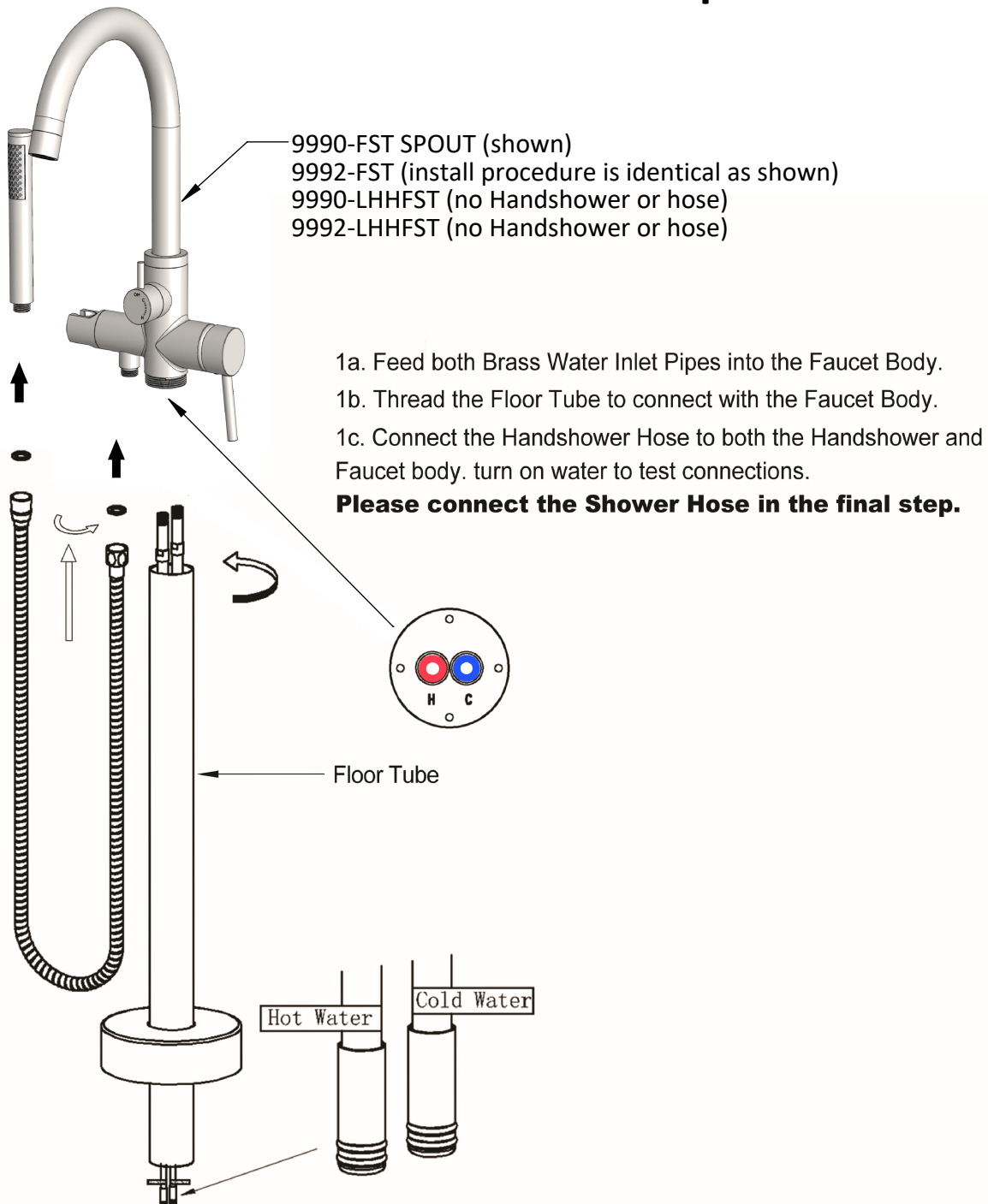
Concealed Box Rough for FST

Part #9990-FST-BOX-RGH

JACLO®

Confidence from start to finish.™

Faucet Installation Steps

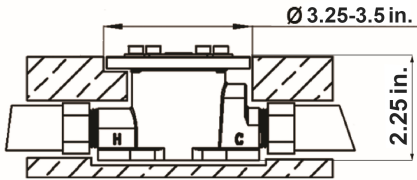


INSTALLATION INSTRUCTIONS

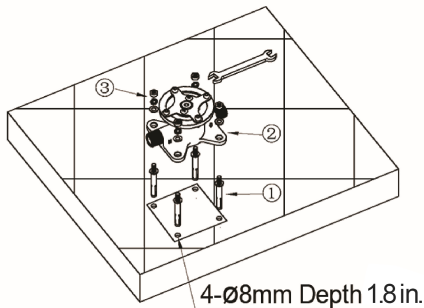
Concealed Box Rough for FST

Part #9990-FST-BOX-RGH

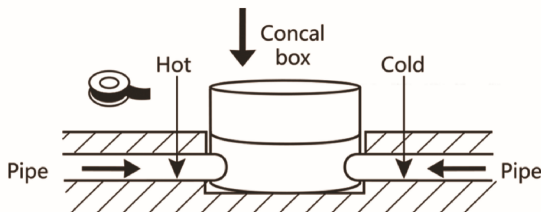
Concealed Box Installation Steps



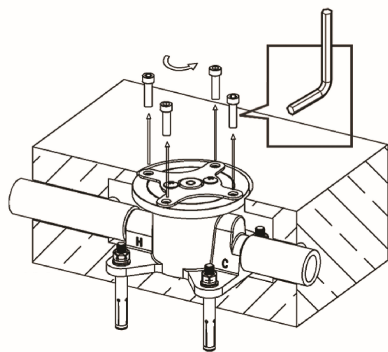
1. Confirm the proper position for the Concealed Box and reserve the hole at $\varnothing 3.25-3.5$ in.



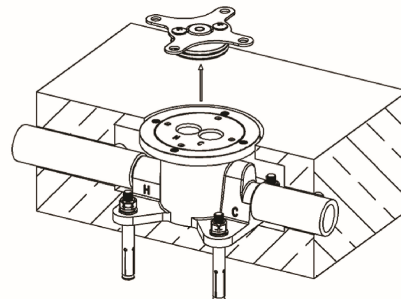
- 2a. Drill 4 holes with $\varnothing 8$ mm drill bit at depth 1.8 in. for fixing Expansion Screws .
- 2b. Fix 4 ① Expansion Screws into the holes.
- 2c. Put the ② Concealed Box through ① Expansion Screws and ensuring it is level (refer to levelling bubble on top plate)
- 2d. Tighten ③ the screws.



- 3a. Connect the water supplies to the Concealed Box.
- 3b. Wrap the threads on both the end of the pipes with tapes.



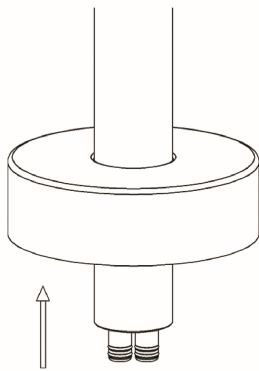
4. Loosen the hex nuts with hex wrench provided.



5. Remove the plate.

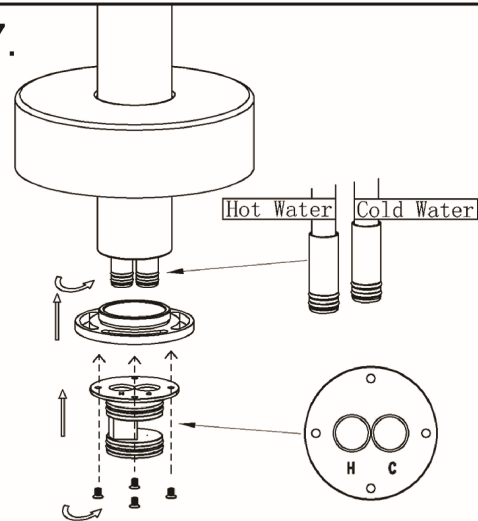
Concealed Box Installation Steps (continued)

6.



Slide the Floor Escutcheon (from the bottom of the Floor Tube)

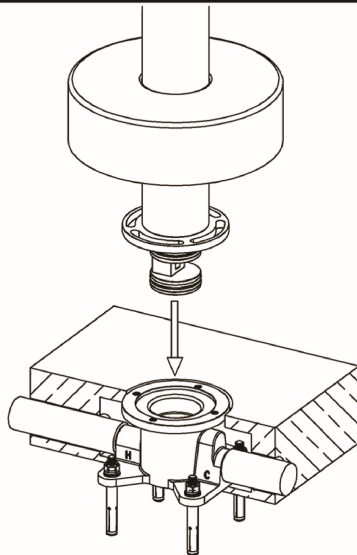
7.



2a. Secure the Floor Tube Connector to the bottom of the Floor Tube

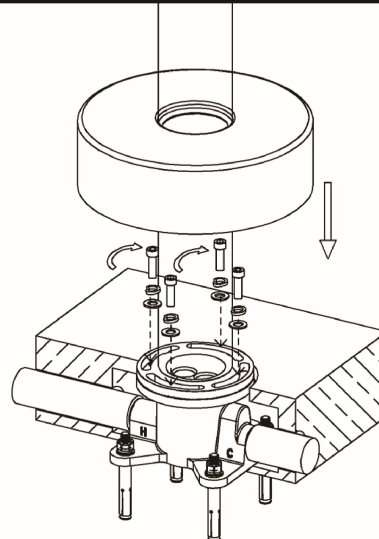
2b. Connect the Concealed Box Connector to the Floor Tube Connector with 4 screws

8.



Insert and press the faucet into the Concealed Box (360° Rotate the freestanding bathtub faucet to adjust the direction if necessary)

9.



Secure 4 hex nut together with other 2 sequential fittings. Slide down the Floor Escutcheon to cover the Concealed Box

To learn more about JACLO's warranty, please visit [**jaclo.com**](http://jaclo.com)