

# INSTALLATION INSTRUCTIONS

## Brass Trims for Cycling Valve with Diverter (J-DIV-CSV)

# JACLO

Confidence from start to finish.®

### STEP 1: FIND IMAGE AND/OR PART # OF TRIM THAT YOU PURCHASED THIS IS WHAT FINISHED PRODUCT WILL LOOK LIKE



A377-TRIM



A751-TRIM



A752-TRIM



A754-TRIM



A758-TRIM



A365-TRIM



A852-TRIM



A851-TRIM



A863-TRIM



A858-TRIM



A859-TRIM



A346-TRIM



A952-TRIM



A951-TRIM



A963-TRIM



A958-TRIM



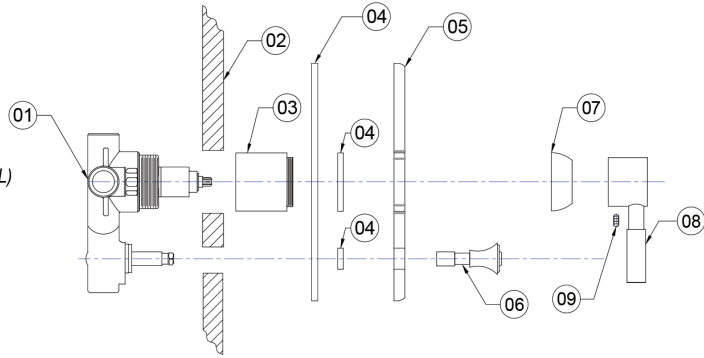
A959-TRIM

CONTINUED →

# STEP 2: FIND YOUR PART NUMBER AND FOLLOW THE STEPS IN PICTURE

## COMPONENTS

- 01 - J-DIV-CSV
- 02 - WALL
- 03 - VALVE COLLAR - A244-COL-\*\*
- 04 - GASKETS - A275-GASKETS-0
- 05 - FACE PLATE TRIM - VARIES ON MODEL
- 06 - PULL DIVERTER - C4206-\*\* (CONTEMPO) N4203-\*\* (TRADITIONAL)
- 07 - VALVE CAP - A244-CAP-\*\*
- 08 - HANDLE - VARIES ON MODEL
- 09 - SET SCREW

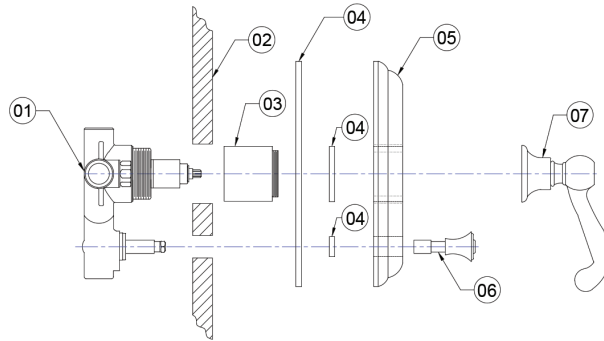


**A365-TRIM**

**A346-TRIM**

## COMPONENTS

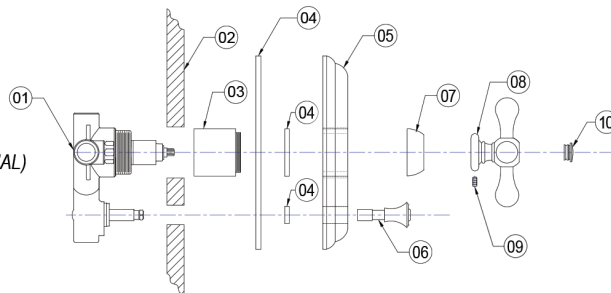
- 01 - J-DIV-CSV
- 02 - WALL
- 03 - VALVE COLLAR - A244-COL-\*\*
- 04 - GASKETS - A275-GASKETS-0
- 05 - FACE PLATE TRIM - VARIES TO MODEL
- 06 - PULL DIVERTER - N4203-\*\* (TRADITIONAL)
- 07 - HANDLE - VARIES ON MODEL



**A377-TRIM**

## COMPONENTS

- 01 - J-DIV-CSV
- 02 - WALL
- 03 - VALVE COLLAR - A244-COL-\*\*
- 04 - GASKETS - A275-GASKETS-0
- 05 - FACE PLATE TRIM - VARIES ON MODEL
- 06 - PULL DIVERTER - C4206-\*\* (CONTEMPO) / N4203-\*\* (TRADITIONAL)
- 07 - VALVE CAP - (COM-CAP-\*\*) (ONLY FOR MODEL #A758)
- 08 - HANDLE - VARIES ON MODEL
- 09 - SET SCREW
- 10 - CAP - 30751-B-\*\* (ONLY FOR MODEL #A758)



**A852-TRIM**

**A859-TRIM**

**A958-TRIM**

**A758-TRIM**

**A851-TRIM**

**A952-TRIM**

**A959-TRIM**

**A754-TRIM**

**A863-TRIM**

**A951-TRIM**

**A752-TRIM**

**A858-TRIM**

**A963-TRIM**

**A751-TRIM**

**CONTINUED** →

# INSTALLATION INSTRUCTIONS

## Brass Trims for Cycling Valve (J-CSV)

# JACLO

Confidence from start to finish.®

### STEP 1: FIND IMAGE AND/OR PART # OF TRIM THAT YOU PURCHASED THIS IS WHAT FINISHED PRODUCT WILL LOOK LIKE



A467-TRIM



A558-TRIM



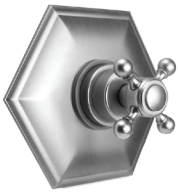
A554-TRIM



A552-TRIM



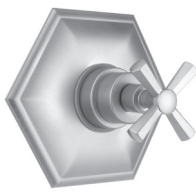
A551-TRIM



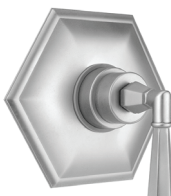
A658-TRIM



A654-TRIM



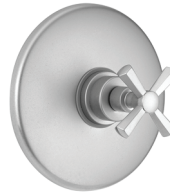
A652-TRIM



A651-TRIM



A426-TRIM



A452-TRIM



A451-TRIM



A463-TRIM



A461-TRIM



A459-TRIM



A446-TRIM



A252-TRIM



A251-TRIM



A263-TRIM



A261-TRIM



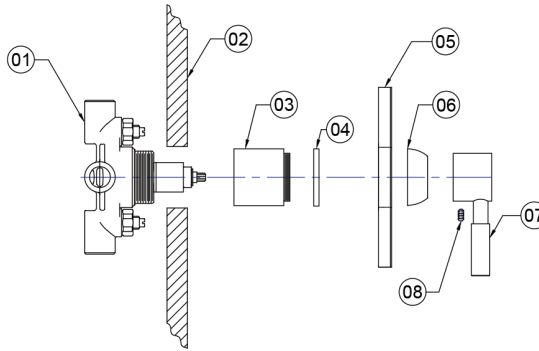
A259-TRIM

CONTINUED →

# STEP 2: FIND YOUR PART NUMBER AND FOLLOW THE STEPS IN PICTURE

## COMPONENTS

- 01 - J-CSV
- 02 - WALL
- 03 - VALVE COLLAR - A244-COL-\*\*
- 04 - GASKET - A275-GASKETS-0
- 05 - FACE PLATE TRIM - VARIES ON MODEL
- 06 - VALVE CAP - A244-CAP-\*\*
- 07 - HANDLE - VARIES ON MODEL
- 08 - SET SCREW

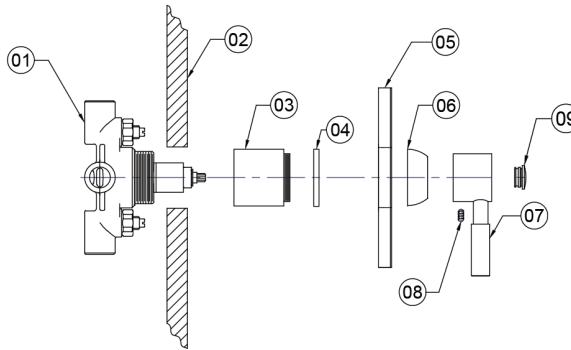


**A426-TRIM**

**A446-TRIM**

## COMPONENTS

- 01 - J-CSV
- 02 - WALL
- 03 - VALVE COLLAR - A244-COL-\*\*
- 04 - GASKET - A275-GASKETS-0
- 05 - FACE PLATE TRIM - VARIES ON MODEL
- 06 - VALVE CAP - A244-CAP-\*\*
- 07 - HANDLE - VARIES ON MODEL
- 08 - SET SCREW
- 09 - CAP - 30751-B-\*\* (FOR MODELS A558 & A658)



**\*A558-TRIM**

**\*A658-TRIM**

**A452-TRIM**

**A459-TRIM**

**A261-TRIM**

**A554-TRIM**

**A654-TRIM**

**A451-TRIM**

**A252-TRIM**

**A259-TRIM**

**A552-TRIM**

**A652-TRIM**

**A463-TRIM**

**A251-TRIM**

**A551-TRIM**

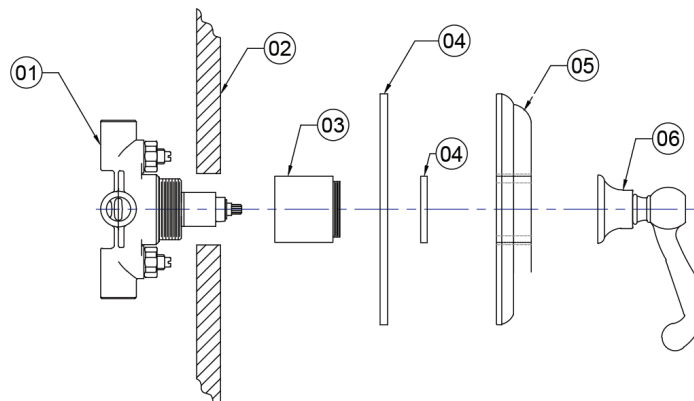
**A651-TRIM**

**A461-TRIM**

**A263-TRIM**

## COMPONENTS

- 01 - J-CSV
- 02 - WALL
- 03 - VALVE COLLAR - A244-COL-\*\*
- 04 - GASKET - A275-GASKETS-0
- 05 - FACE PLATE TRIM - VARIES ON MODEL
- 06 - HANDLE - VARIES ON MODEL



**A467-TRIM**

# INSTALLATION INSTRUCTIONS

## Brass Trims for Pressure Balance Valve with Diverter (J-DIV-PBV)

# JACLO

Confidence from start to finish.®

### STEP 1: FIND IMAGE AND/OR PART # OF TRIM THAT YOU PURCHASED THIS IS WHAT FINISHED PRODUCT WILL LOOK LIKE



A336-TRIM



A334-TRIM



A335-TRIM



A325-TRIM



A326-TRIM



A526-TRIM



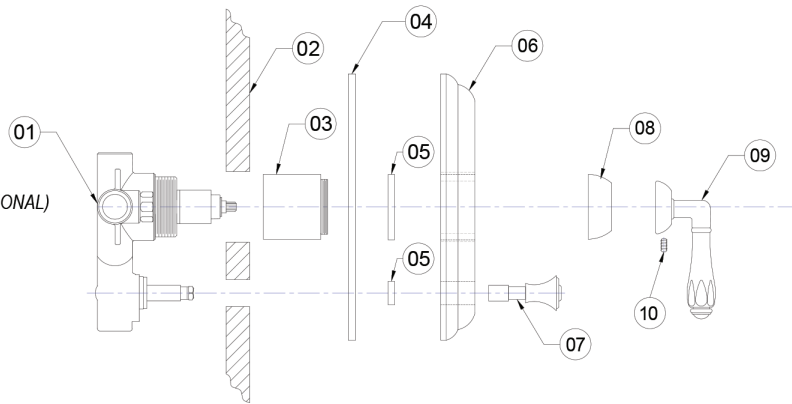
A523-TRIM

CONTINUED →

## STEP 2: FIND YOUR PART NUMBER AND FOLLOW THE STEPS IN PICTURE

### COMPONENTS

- 01 - J-DIV-PBV
- 02 - WALL
- 03 - VALVE COLLAR - A244-COL-\*\*
- 04 - PLATE GASKET - A275-GASKETS-0
- 05 - GASKETS - A275-GASKETS-0
- 06 - FACE PLATE TRIM - VARIES TO MODEL
- 07 - PULL DIVERTER - C4206-\*\* (CONTEMPO) N4203-\*\* (TRADITIONAL)
- 08 - VALVE CAP - A244-CAP-\*\*
- 09 - HANDLE - VARIES ON MODEL
- 10 - SET SCREW



A336-TRIM

A335-TRIM

A326-TRIM

A523-TRIM

A334-TRIM

A325-TRIM

A526-TRIM

# INSTALLATION INSTRUCTIONS

## Brass Trims for Pressure Balance Valve with Diverter (J-DIV-PBV)

# JACLO

Confidence from start to finish.®

### STEP 1: FIND IMAGE AND/OR PART # OF TRIM THAT YOU PURCHASED THIS IS WHAT FINISHED PRODUCT WILL LOOK LIKE



A236-TRIM



A234-TRIM



A285-TRIM



A229-TRIM



A226-TRIM



A225-TRIM



A585-TRIM



A255-TRIM



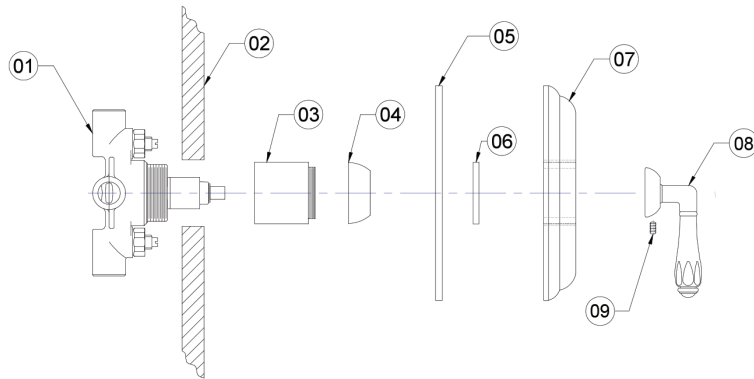
A368-TRIM

CONTINUED →

## STEP 2: FIND YOUR PART NUMBER AND FOLLOW THE STEPS IN PICTURE

### COMPONENTS

- 01 - J-PBV
- 02 - WALL
- 03 - VALVE COLLAR - A244-COL-\*\*
- 04 - VALVE CAP - A244-CAP-\*\*
- 05 - PLATE GASKET - A275-GASKET-0
- 06 - GASKET - A275-GASKETS-0
- 07 - FACE PLATE TRIM - VARIES ON MODEL
- 08 - HANDLE - VARIES ON MODEL
- 09 - SET SCREW



A236-TRIM

A285-TRIM

A226-TRIM

A368-TRIM

A234-TRIM

A229-TRIM

A225-TRIM

A585-TRIM



To learn more about JACLO's warranty, please visit [\*\*jaclo.com\*\*](http://jaclo.com)