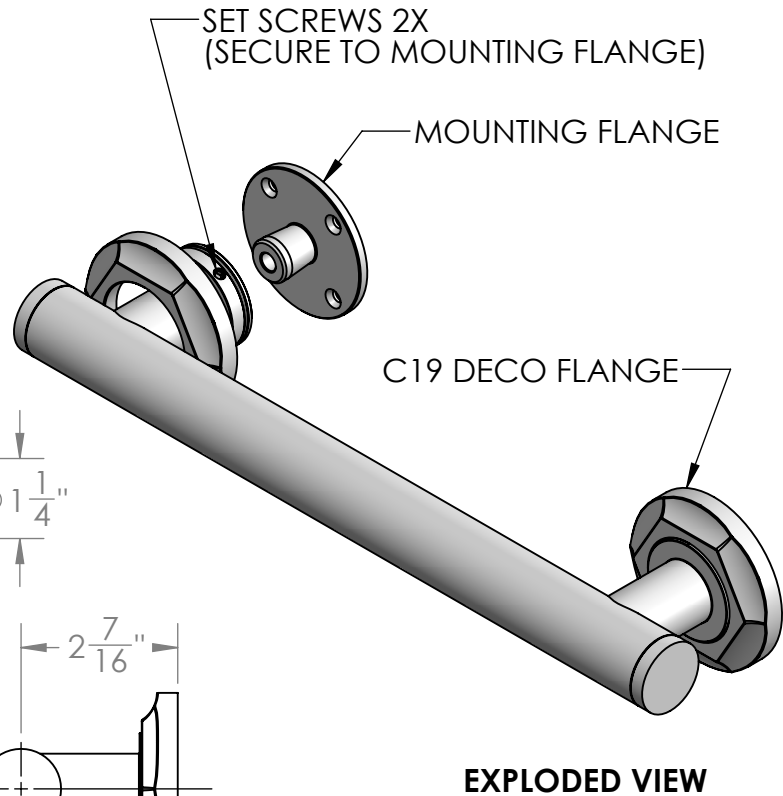
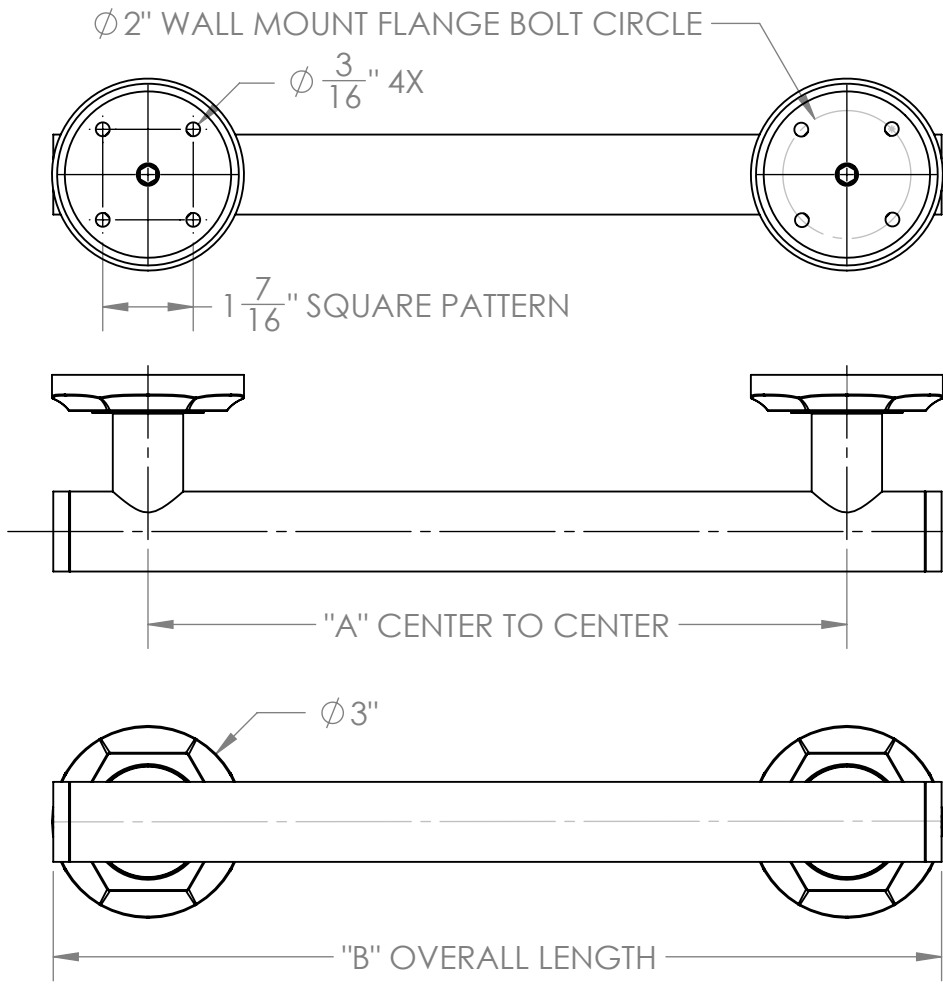


2

1

B

B



A

A

Part #	A	B
C19-12	12"	13 7/8"
C19-16	16"	17 7/8"
C19-18	18"	19 7/8"
C19-24	24"	25 7/8"
C19-32	32"	33 7/8"
C19-36	36"	37 7/8"

DIMENSIONS ARE IN INCHES

PROPRIETARY AND CONFIDENTIAL

THE INFORMATION CONTAINED IN THIS DRAWING IS THE SOLE PROPERTY OF JACLO INDUSTRIES, 129 DERMODY STREET CRANFORD, NEW JERSEY 07016
 Phone: (908) 653-4433
 Web: www.jaclo.com

ANY REPRODUCTION IN PART, OR AS A WHOLE WITHOUT THE WRITTEN PERMISSION OF JACLO INDUSTRIES IS STRICTLY PROHIBITED.

DIMENSIONS ARE FOR REFERENCE ONLY. JACLO RESERVES THE RIGHT TO CHANGE SPECIFICATIONS WITHOUT NOTICE.

NAME:	DATE:
DRAWN: M. BENDIT	11/08/2021
REVISED:	
DO NOT SCALE DRAWING	
MATERIAL:	BRASS
FINISH:	VARIES

JACLO		
TITLE: GRAND GRAB BAR WITH HEX FLANGE		
SIZE: A	DRAWING / PART NUMBER: C19-XX	REV: 3
SCALE:	WEIGHT:	SHEET 1 OF 1

2

1

To learn more about JACLO's warranty, please visit **jaclo.com**