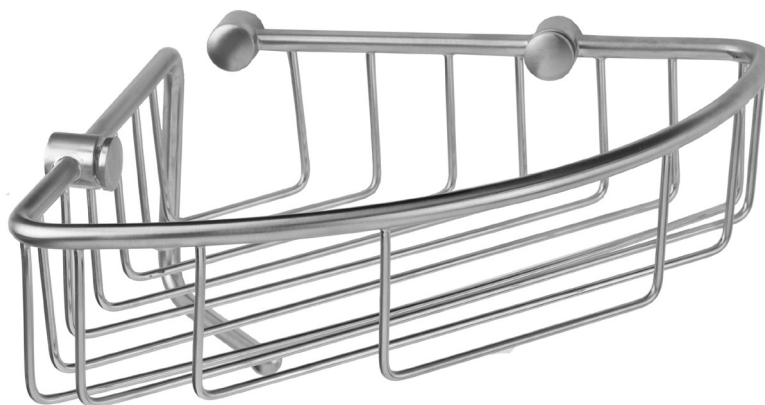


# INSTALLATION INSTRUCTIONS

**Wire Basket**  
Part #: CBSK-1

**JACLO**<sup>®</sup>  
Confidence from start to finish.™

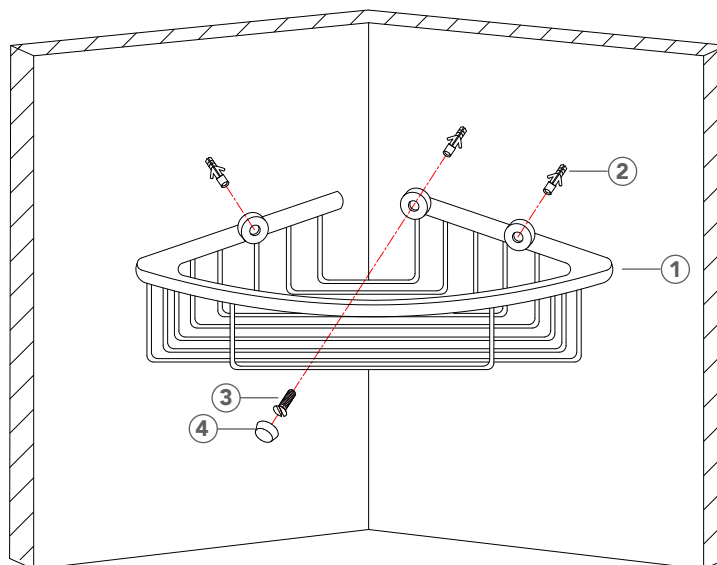


## COMPONENTS

1. WIRE BASKET ( QTY 1)
2. WALL ANCHORS (QTY 3)
3. SCREWS (QTY 3)
4. DECORATIVE CAPS (QTY 3)

## INSTALLATION

1. Mark location of holes in walls.
2. Drill appropriate size pilot holes.
3. Insert wall anchors (2) into drilled holes.
4. Insert screw (3) through basket (1) into wall anchor (2).
5. Once tightened, thread in decorative cap (4)



To learn more about JACLO's warranty, please visit [\*\*jaclo.com\*\*](http://jaclo.com)