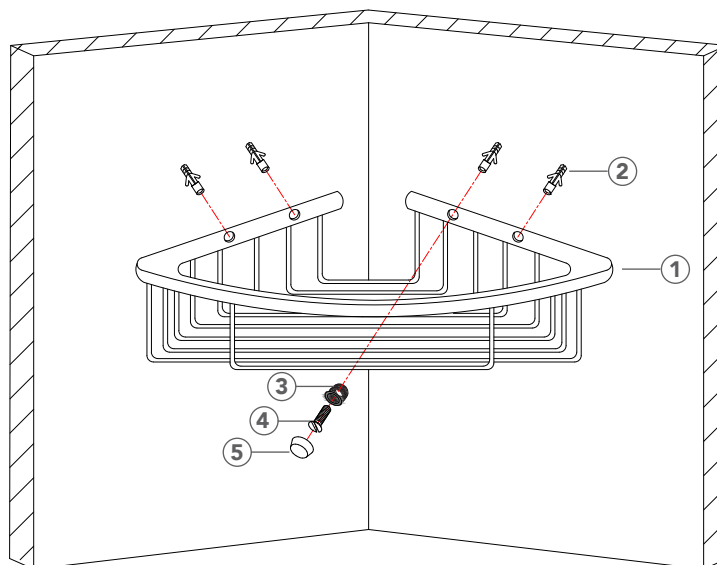
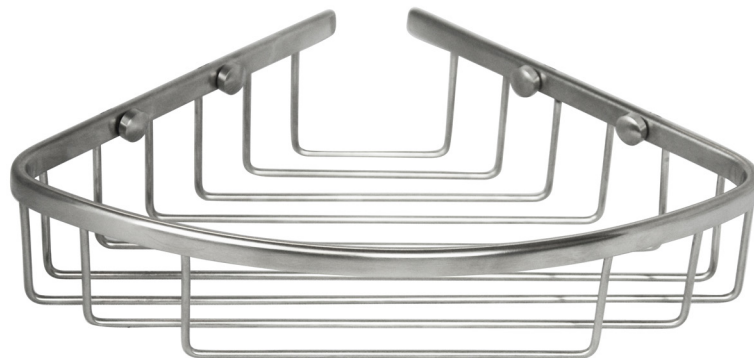


INSTALLATION INSTRUCTIONS

Wire Basket Part #: CBSK-3



COMPONENTS

1. WIRE BASKET (QTY 1)
2. WALL ANCHORS (QTY 4)
3. BRASS BUSHING (QTY 4)
4. SCREWS (QTY 4)
5. DECORATIVE CAPS (QTY 4)

INSTALLATION

1. Mark location of holes in walls.
2. Drill appropriate size pilot holes.
3. Insert wall anchors (2) into drilled holes.
4. Insert screw (4) through brass bushing (3) then through basket (1) into wall anchor (2).
5. Once tightened, thread in decorative cap (5)

To learn more about JACLO's warranty, please visit [**jaclo.com**](http://jaclo.com)