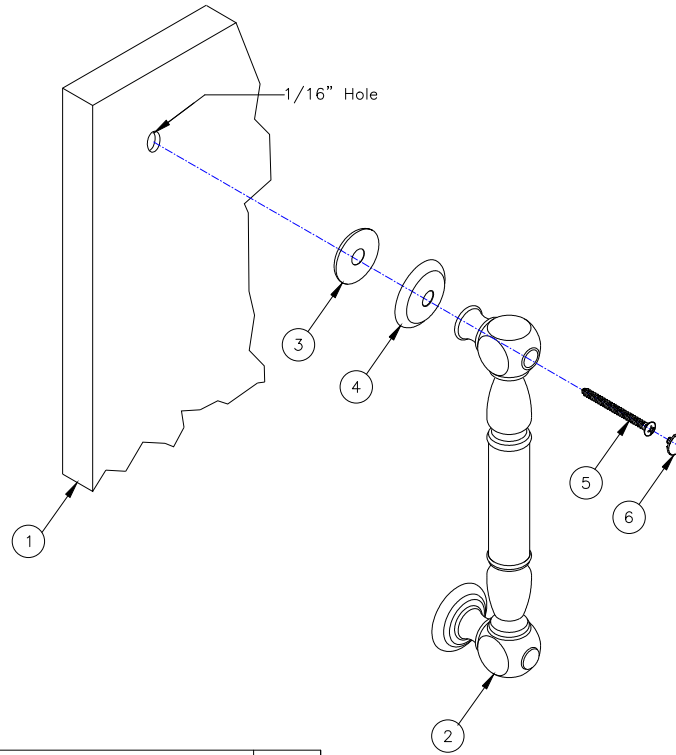


INSTALLATION INSTRUCTIONS

Front Mount Door Handle

Part #'s: H20-FM, H21-FM, H60-FM, H61-FM



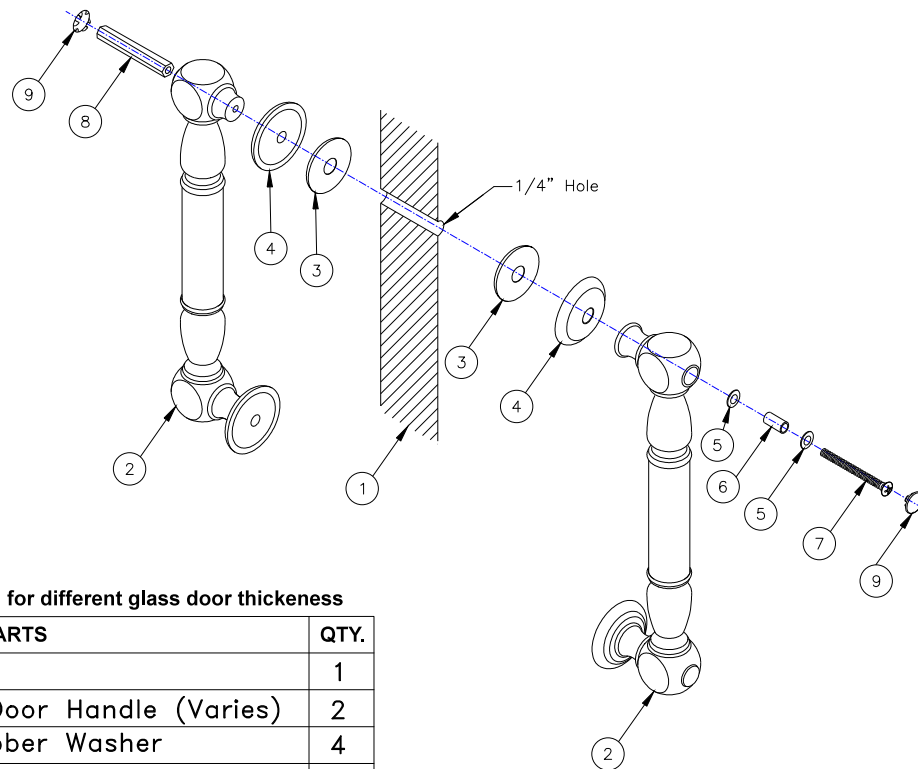
COMPONENT PARTS		QTY.
1	Wood Door	1
2	F.M. Door Handle (Varies)	1
3	30817-1 - Rubber Washer	2
4	30756 - Escutcheon	2
5	30817-4 Screw - 3/16" X 3 1/2"	2
6	4844 - Caps	2

1. Locate center to center dimension for drilling (handles are sold with cc measurement)
2. Drill 1/16" hole top and bottom
3. Start at top hole
4. Insert wood screw (5) through handle (2), through escutcheon (4), through washer (if needed) and screw into wood door
5. Bottom hole, repeat step 4
6. Attach caps (6)

INSTALLATION INSTRUCTIONS

Back to Back Door Handle

Part #: H20-BB, H21-BB, H60-BB, H61-BB



*Screw is able to be cut in field for different glass door thickness

COMPONENT PARTS		QTY.
1	Glass Door	1
2	Back-to-Back Door Handle (Varies)	2
3	30817-1 - Rubber Washer	4
4	30756 - Escutcheon	4
5	30817-5 - Metal Washers	4
6	30817-2 - Plastic Spacers	2
7	*30817-3 Screw - 3/16" X 3 1/2"	2
8	30824-6 - Slotted Hex Nut	2
9	4844 - Caps	4

1. Locate center to center dimension for drilling (handles are sold with cc measurement)
 2. Drill 1/4" hole top and bottom
 3. Start at top hole
 4. Pre-assemble washer (5), spacer (6), washer (5) onto screw (7) as shown
 5. Insert screw (7) through handle (2), through escutcheon (4), through washer (3), through door, through washer (3), through escutcheon (4), through handle and attach with hex nut (8)
- Please note, screw is able to be cut in field for different glass door thickness**
6. Bottom hole, repeat step 4
 7. Attach caps (9)

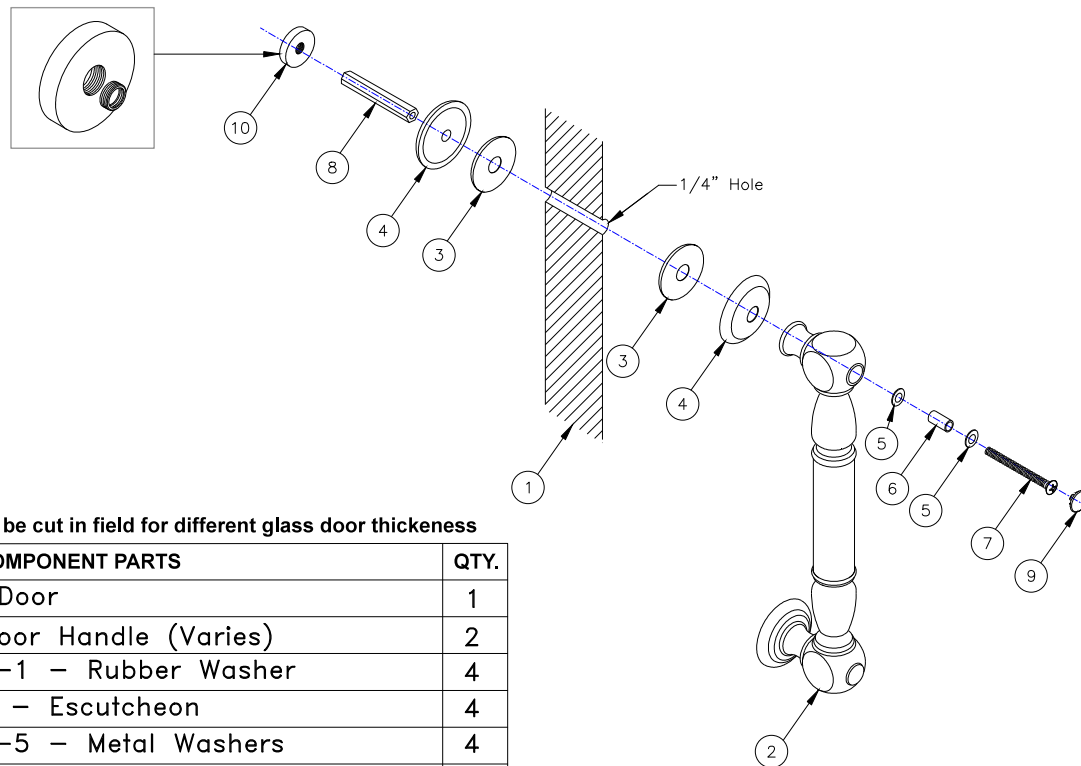
INSTALLATION INSTRUCTIONS

Front Mount Door Handle with Glass Mounting Kit

Part #: H20-FM with H20-GLSKIT

JACLO®

Confidence from start to finish.®



*Screw is able to be cut in field for different glass door thickness

COMPONENT PARTS		QTY.
1	Glass Door	1
2	F.M. Door Handle (Varies)	2
3	30817-1 - Rubber Washer	4
4	30756 - Escutcheon	4
5	30817-5 - Metal Washers	4
6	30817-2 Plastic Spacers	2
7	*30817-3 Screw - 3/16" X 3 1/2"	2
8	30824-6 - Slotted Hex Nut	2
9	4844 - Caps	2
10	GLS-B-XXX - Glass KIT	2

1. Locate center to center dimension for drilling (handles are sold with cc measurement)
2. Drill 1/4" hole top and bottom
3. Start at top hole
4. Pre-assemble washer (5), spacer (6), washer (5) onto screw (7) as shown
5. Insert screw (7) through handle (2), through escutcheon (4), through washer (3), through door, through washer (3), through escutcheon (4) and secure to glass kit (pre-assembled)

Please note, screw is able to be cut in field for different glass door thickness

6. Bottom hole, repeat step 4
7. Attach caps (9)

To learn more about JACLO's warranty, please visit [**jaclo.com**](http://jaclo.com)