

INSTALLATION INSTRUCTIONS

Jaylen Roman Tub Set
Part #: 6940-

JACLO[®]
Confidence from start to finish.[®]



HANDLE STYLES



T634

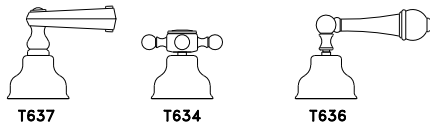


T636



T637

HANDLE OPTIONS



JAYLEN COLLECTION

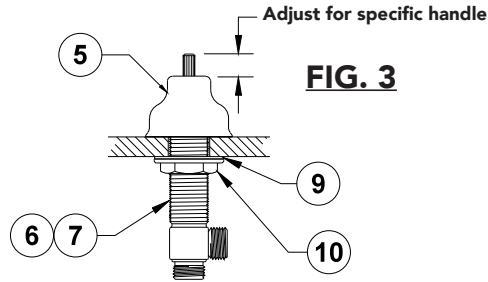


FIG. 3

COMPONENT PARTS	
TRIM	1 Aerator
	2 6940 Roman Tub Filler
	3 Set Screw
	4 Handle
ROUGH	5 Valve Escutcheon
	6 Valve Body Cold
	7 Valve Body Hot
	8 Cartridge
	9 Fiber Washer (4)
	10 Valve Body Nut (4)
	11 Hose (2)
	12 Quick Connect
	13 Brass Washer
	14 Rubber Washer
	15 Plastic Washer
	16 Brass Nut
	17 Brass Tee

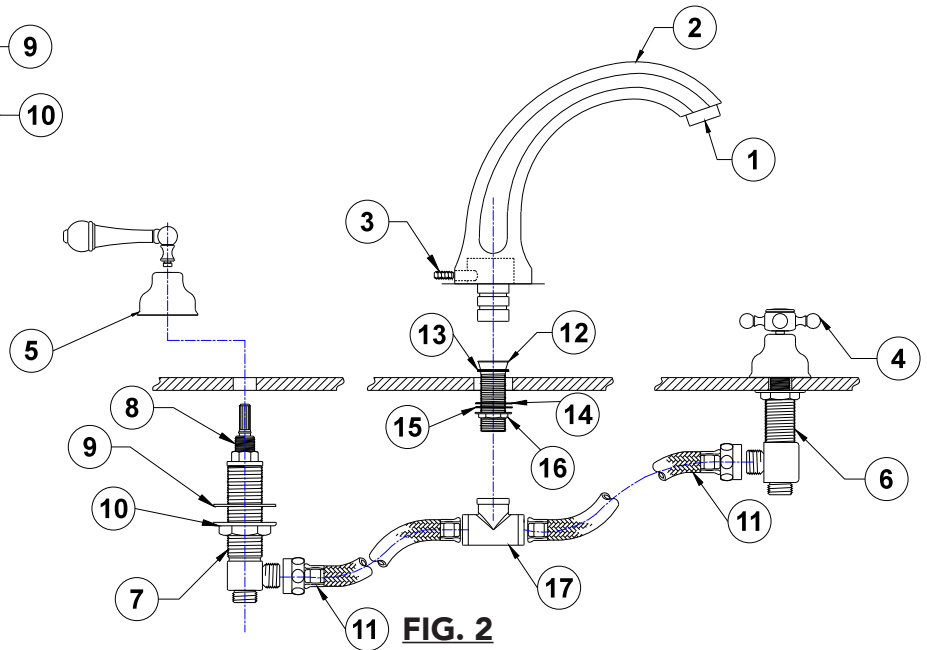


FIG. 2

SPOUT QUICK CONNECT AND VALVE BODY INSTALLATION

1. Confirm hole is in conformance with **Fig. 1**
2. Remove nut (16) and washers (14)(15) from spout.
3. Drop quick connect (12) from top of counter.
4. Install washers (14)(15) and nut (16) from bottom of counter and tighten.
5. Install "T" (17) with suitable pipe sealant.
6. Install hot and cold valve assemblies (6)(7) from bottom of counter. Install valve escutcheon (5) **Fig.3** on valve assemblies. Adjust valve assemblies per **Fig. 3**, tighten nut (10) on each valve assembly
7. Install spout
8. Install hot and cold hoses (11) from "T" to each valve assembly.
9. Connect hot and cold water supply to each valve assembly (bottom of assembly).

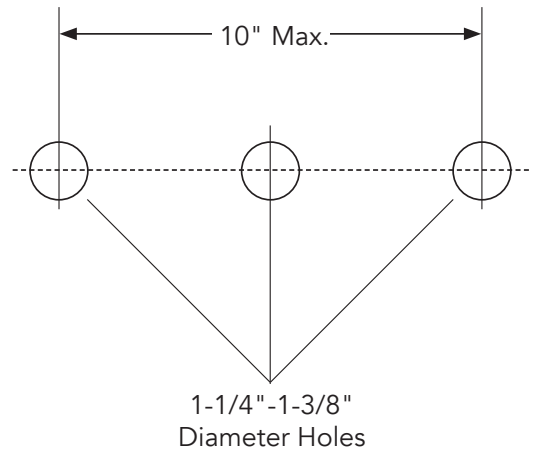
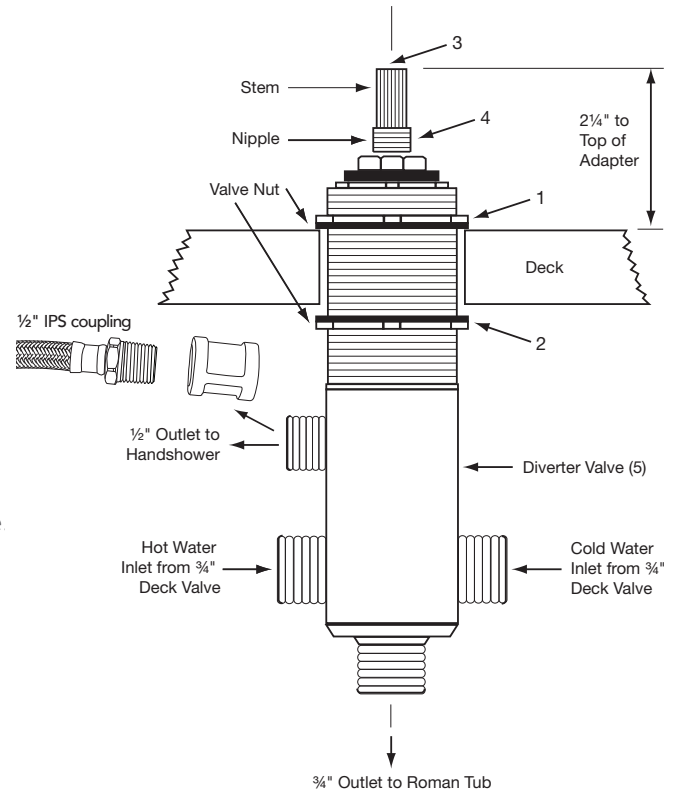


FIG. 1

INSTALLATION FOR DIVERTER & HANDSHOWER IF USED (NOT INCLUDED)

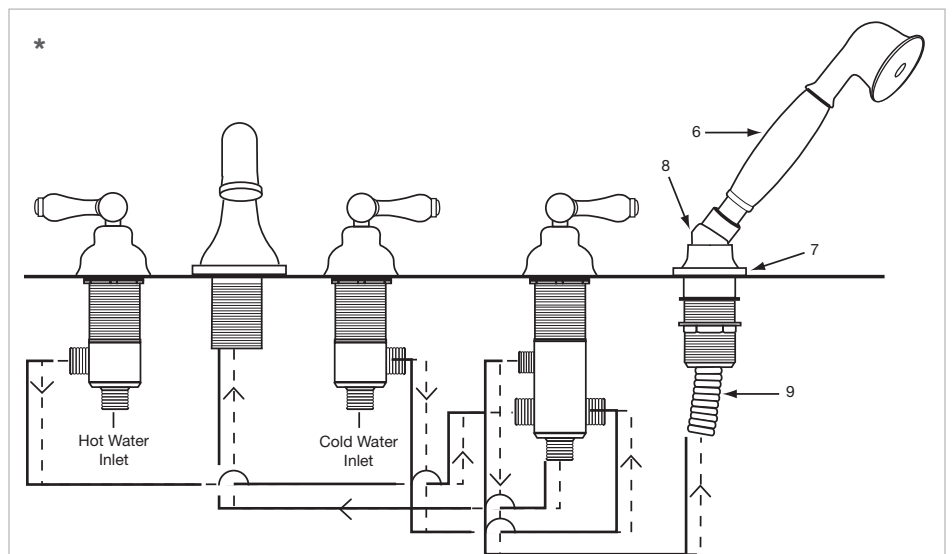
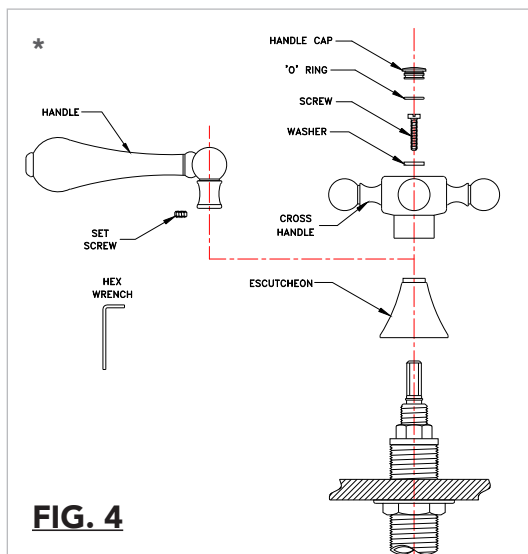
1. Remove trim and smaller top valve nut (1) from valve.
 2. Provide 1½" diameter hole in deck. Maximum deck thickness is 2¼" for diverter only. Roman tub spouts and valves may differ and must be checked.
 3. Thread bottom valve nut (2) all the way down on diverter valve (5).
 4. Slide valve (from underneath) through deck.
 5. Screw top valve nut (1) onto valve until top of stem (3) is 2¼" above top of finished deck as shown. This is important as it controls the space between handle and escutcheon. Hand tighten bottom valve nut (2).
 6. Apply a small bead of silicone to the bottom of the escutcheon and install onto valve.
 7. Install handle. **See Fig. 4**
 8. Secure bottom valve nut (2). Connect coupling to diverter, hose to coupling, and backflow preventer to hose
 9. Install handshower deck mount sleeve (7). Slide hose through the sleeve. Connect handshower hose to backflow preventer.
 10. Connect hot and cold water supply to valve.
- Note: Make sure any solder connections are at least 1½" away from valve body.**
11. Connect spout to bottom of diverter valve



HANDLE INSTALLATION (HANDLES VARY)

1. Handle trim **T634** install with top screw into top of valve shaft, **Fig.4**
 - a. Remove index button and tighten screw.
 - b. Replace index button after it is tightened.
2. Handle trim **T637** and **T636** install with set screw into side of valve shaft **Fig.4**

* FOR ILLUSTRATION PURPOSES ONLY (STYLES



To learn more about JACLO's warranty, please visit [**jaclo.com**](http://jaclo.com)