

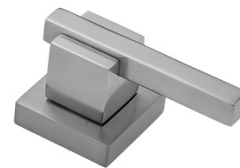
INSTALLATION INSTRUCTIONS

Cubix® Roman Tub Sets
Part #'s: 4404-, 5404-

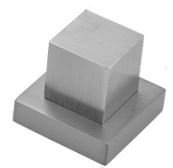
JACLO[®]
Confidence from start to finish.[®]



Handle Options:

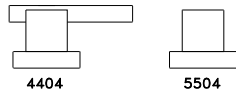


4404



5404

HANDLE OPTIONS



CUBIX® COLLECTION

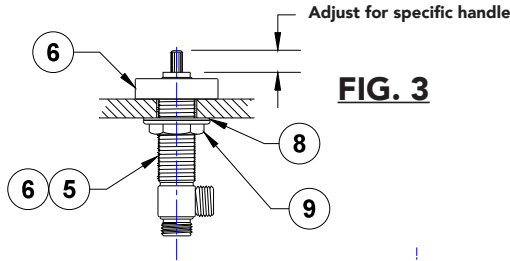


FIG. 3

		COMPONENT PARTS	
TRIM	1	Aerator	
	2	Cubix® Roman Tub Filler	
	3	Handle	
	4	Valve Escutcheon	
ROUGH	5	Valve Body Cold	
	6	Valve Body Hot	
	7	Cartridge	
	8	Fiber Washer (2)	
	9	Valve Body Nut (2)	
	10	Hose (2)	
	11	Brass Washer	
	12	Rubber Washer	
	13	Brass Nut	
	14	Brass Tee	

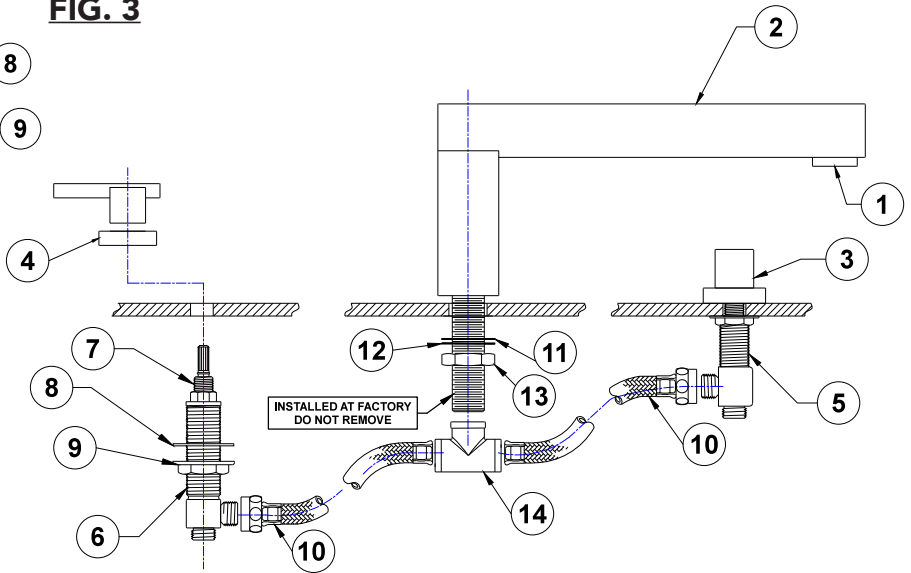


FIG. 2

SPOUT QUICK CONNECT AND VALVE BODY INSTALLATION

1. Confirm hole is in conformance with **Fig. 1**
2. Remove nut (**13**) and washer (**12**) from spout.
3. Drop spout (**2**) in from top of counter.
4. Install washer (**12**) and nut (**13**) from bottom of counter and tighten.
5. Install "T" (**14**) with suitable pipe sealant.
6. Install hot and cold valve assemblies (**5**)(**6**) from bottom of counter. Install valve escutcheon (**4**) **Fig.3** on valve assemblies. Adjust valve assemblies per **Fig. 3**, tighten nut (**9**) on each valve assembly
7. Install hot and cold hoses (**10**) from "T" to each valve assembly.
8. Connect hot and cold water supply to each valve assembly (bottom of assembly).

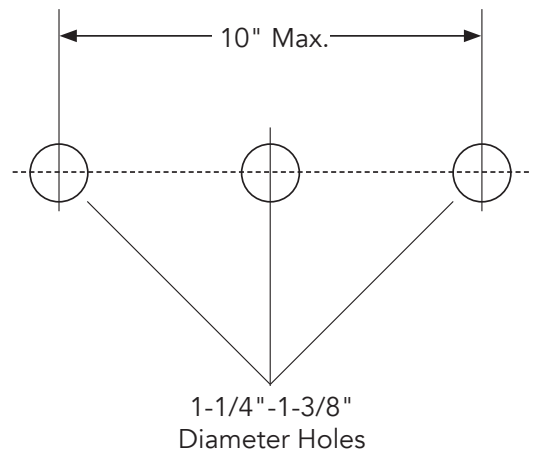
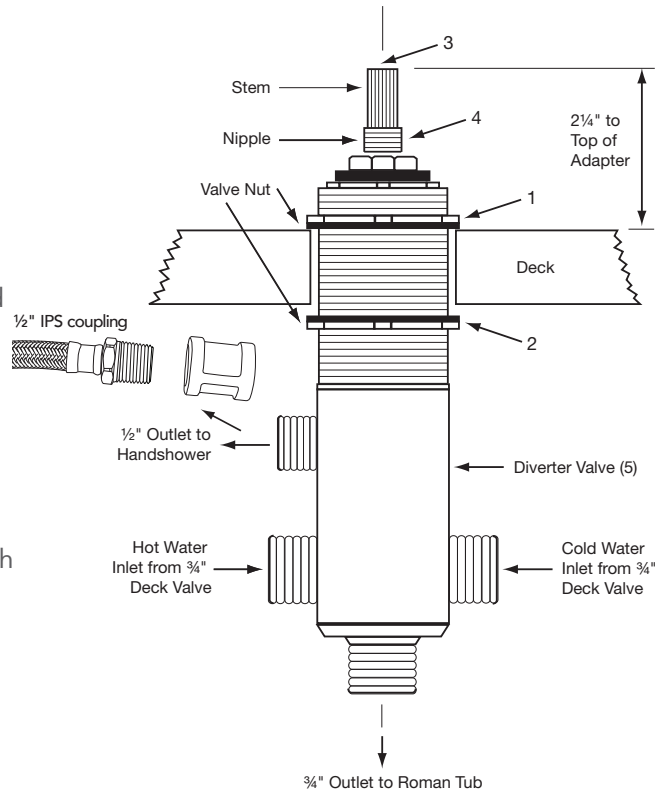


FIG. 1

INSTALLATION FOR DIVERTER & HANDSHOWER IF USED (NOT INCLUDED)

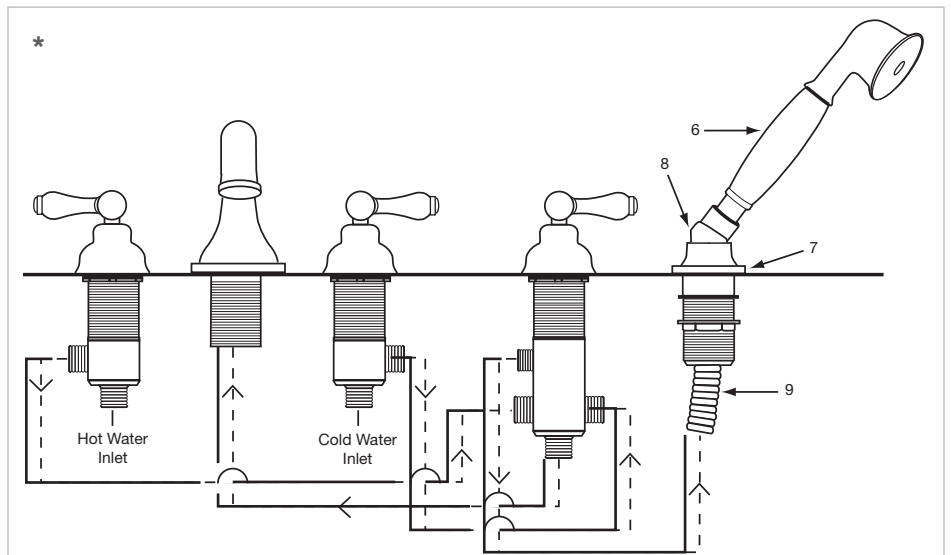
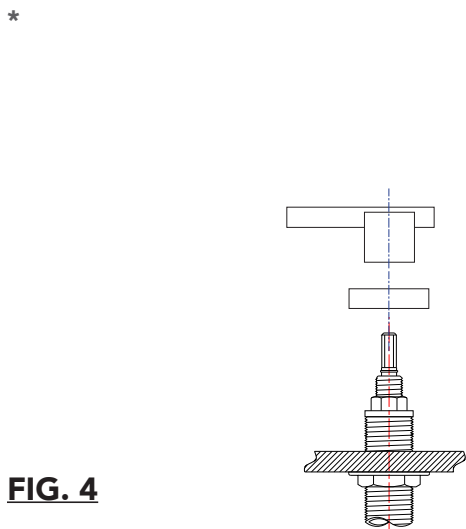
1. Remove trim and smaller top valve nut **(1)** from valve (not used)
 2. Provide 1½" diameter hole in deck. Maximum deck thickness is 2¼" for diverter only. Roman tub spouts and valves may differ and must be checked.
 3. Thread bottom valve nut **(2)** all the way down on diverter valve **(5)**.
 4. Slide valve (from underneath) through deck.
 5. Screw escutcheon onto valve until top of stem **(3)** is approximately 2¼" above top of finished deck as shown. This is important as it controls the space between handle and escutcheon. Hand tighten bottom valve nut **(2)**.
 6. Apply a small bead of silicone to the bottom of the escutcheon and install onto valve.
 7. Install handle. **See Fig. 4**
 8. Secure bottom valve nut **(2)**. Connect coupling to diverter, hose to coupling, and backflow preventer to hose.
 9. Install handshower deck mount sleeve **(7)**. Slide hose through the sleeve. Connect handshower hose to backflow preventer.
 10. Connect hot and cold water supply to valve.
- Note: Make sure any solder connections are at least 1½" away from valve body.**
11. Connect spout to bottom of diverter valve



HANDLE INSTALLATION (HANDLES VARY)

1. Handle trim **4404 and 5504** install with set screw into side of valve shaft **Fig.4**

* FOR ILLUSTRATION PURPOSES ONLY (STYLES VARY)



To learn more about JACLO's warranty, please visit [**jaclo.com**](http://jaclo.com)