

INSTALLATION INSTRUCTIONS

Brass Trims for Thermostatic Valve (J-TH34/J-TH12)



Confidence from start to finish.®

STEP 1: FIND IMAGE AND/OR PART # OF TRIM THAT YOU PURCHASED *(THIS IS WHAT FINISHED PRODUCT WILL LOOK LIKE)*



T878-TRIM



T874-TRIM



T886-TRIM



T885-TRIM



T478-TRIM



T474-TRIM



T488-TRIM



T484-TRIM



T570-TRIM



T573-TRIM



T432-TRIM



T476-TRIM



T759-TRIM



T762-TRIM



T578-TRIM



T574-TRIM



T592-TRIM



T586-TRIM



T585-TRIM



T537-TRIM



T539-TRIM



T536-TRIM



T778-TRIM



T774-TRIM



T792-TRIM



T786-TRIM



T785-TRIM



T737-TRIM



T739-TRIM



T736-TRIM



T178-TRIM



T174-TRIM



T188-TRIM



T184-TRIM



T530-TRIM



T532-TRIM



T538-TRIM



T572-TRIM



T173-TRIM



T559-TRIM



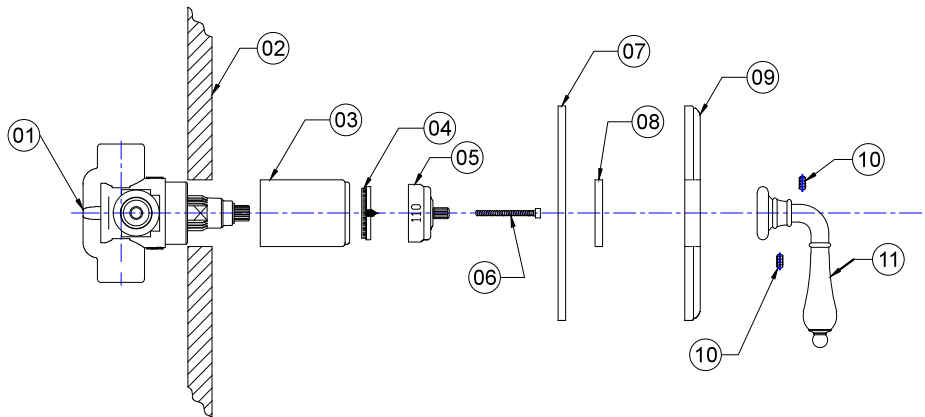
T562-TRIM

CONTINUED

STEP 2: FIND YOUR PART NUMBER AND FOLLOW THE STEPS IN PICTURE

COMPONENTS

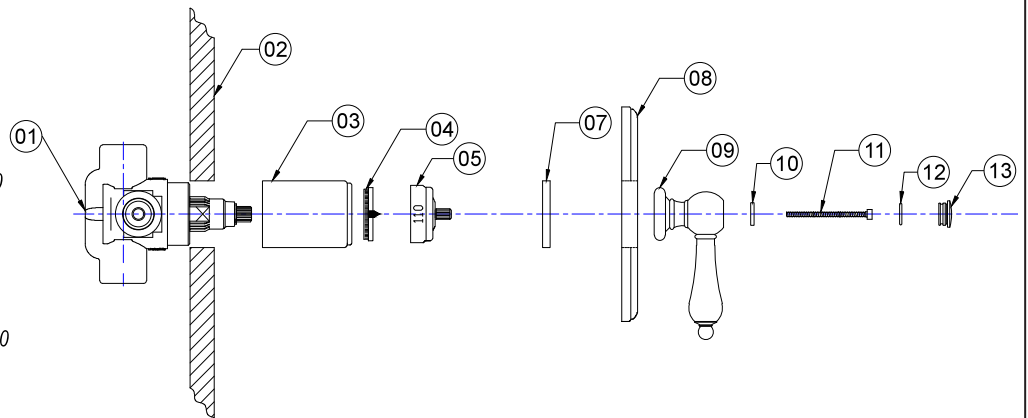
- 01 - J-TH34
- 02 - WALL
- 03 - DIAL SLEEVE - 1050-9-**
- 04 - DIAL POINTER - 1050-8-0
- 05 - TEMPERATURE DIAL - 1050-6-** / 1050-7-0
- 06 - SCREW - TH34-TH12-HRDW-0
- 07 - PLATE GASKET - TH34-THI2-HRDW-0
- 08 - GASKET - 1050-10-0
- 09 - FACE PLATE TRIM - VARIES ON MODEL
- 10 - SET SCREW - VARIES ON MODEL
- 11 - HANDLE - VARIES ON MODEL



T574-TRIM	T774-TRIM	T874-TRIM	T573-TRIM	T572-TRIM	T488-TRIM
T585-TRIM	T785-TRIM	T885-TRIM	T174-TRIM	T173-TRIM	T188-TRIM
T537-TRIM	T737-TRIM	T474-TRIM	T184-TRIM	T586-TRIM	T530-TRIM
T539-TRIM	T739-TRIM	T484-TRIM	T532-TRIM	T786-TRIM	T562-TRIM
T536-TRIM	T736-TRIM	T570-TRIM	T538-TRIM	T886-TRIM	T559-TRIM
T432-TRIM	T476-TRIM	T759-TRIM	T762-TRIM		

COMPONENTS

- 01 - J-TH34
- 02 - WALL
- 03 - DIAL SLEEVE - 1050-9-**
- 04 - DIAL POINTER - 1050-8-0
- 05 - TEMPERATURE DIAL - 1050-6-** / 1050-7-0
- 06 - PLATE GASKET - TH34-THI2-HRDW-0
- 07 - GASKET - 1050-10-0
- 08 - FACE PLATE TRIM - VARIES ON MODEL
- 09 - HANDLE - VARIES ON MODEL
- 10 - WASHER - 30751-13-0
- 11 - SCREW THRU HANDLE - TH34-THI2-HRW-0
- 12 - "O" RING - 30066-0
- 13 - CAP - VARIES ON MODEL



T578-TRIM	T178-TRIM
T592-TRIM	T878-TRIM
T778-TRIM	T478-TRIM
T792-TRIM	

INSTALLATION INSTRUCTIONS

Brass Trims for Thermostatic Valve with Built In
2 way & 3 way Diverter/Volume Control
(J-TH34-686/J-TH34-687/J-TH34-688/J-TH34-689)

JACLO[®]
Confidence from start to finish.™

STEP 1: FIND IMAGE AND/OR PART # OF TRIM THAT YOU PURCHASED



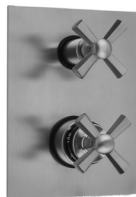
T8574-TRIM



T8757-TRIM



T8586-TRIM



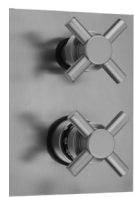
T8585-TRIM



T7537-TRIM



T7572-TRIM



T7532-TRIM



T7530-TRIM



T7538-TRIM



T7502-TRIM



T7503-TRIM



T7539-TRIM



T7533-TRIM



T7534-TRIM



T7535-TRIM



T7536-TRIM



T7562-TRIM



T7549-TRIM



T9574-TRIM



T9757-TRIM



T9586-TRIM



T9585-TRIM



T8537-TRIM



T8572-TRIM



T8532-TRIM



T8530-TRIM



T8538-TRIM



T8502-TRIM



T8503-TRIM



T8539-TRIM



T8533-TRIM



T8534-TRIM



T8535-TRIM



T8536-TRIM



T9534-TRIM



T9535-TRIM



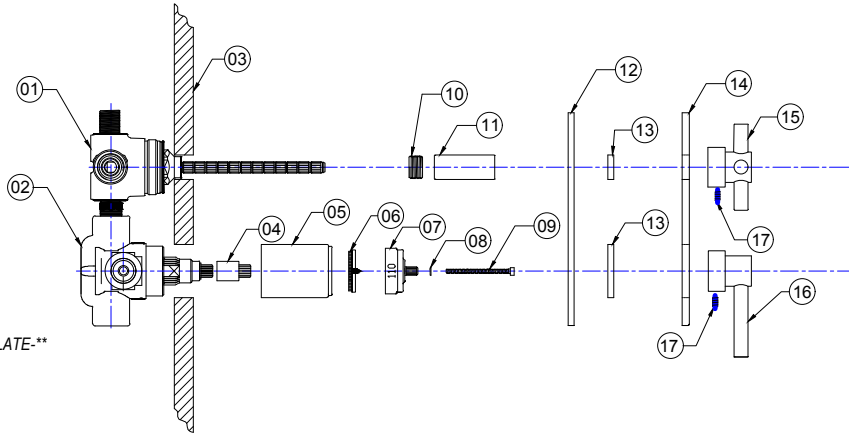
T9536-TRIM

CONTINUED →

STEP 2: FIND YOUR PART NUMBER AND FOLLOW THE STEPS IN PICTURE

COMPONENTS

- 01 - J-20686 / J-20687 / J-20688 / J-20689
- 02 - J-TH34
- 03 - WALL
- 04 - 60mm EXTENSION - 60MM-EXT-0
- 05 - DIAL SLEEVE - 1050-9-60MM-**
- 06 - DIAL POINTER - 1050-8-0
- 07 - TEMPERATURE DIAL - 1050-6-** / 1050-7-0
- 08 - STAINLESS STEEL WASHER - TH34-686-688-HRDW-0
- 09 - M4 x 7 x 50mm STAINLESS STEEL - TH34-686-688-HRDW-0
- 10 - BUSHING - 6000-BUSHING-RGH
- 11 - THERM. SLEEVE - 6000-12-**
- 12 - PLATE GASKET - TH34-686-688-HRDW-0
- 13 - GASKET - 1050-10-0 / 1050-11-0
- 14 - FACE PLATE TRIM - (RECT.) 7000-PLATE-** / (OVAL) 8000-PLATE-**
- 15 - DIVERTER HANDLE - VARIES ON MODEL
- 16 - THERM. HANDLE - VARIES ON MODEL
- 17 - SET SCREW - TH34-686-688-HRDW-0



T7537-TRIM
T7572-TRIM
T7532-TRIM
T7539-TRIM
T7535-TRIM
T7549-TRIM

T7530-TRIM
T7538-TRIM
T7502-TRIM
T7533-TRIM
T7536-TRIM

T7503-TRIM
T8585-TRIM
T8586-TRIM
T7534-TRIM
T7562-TRIM

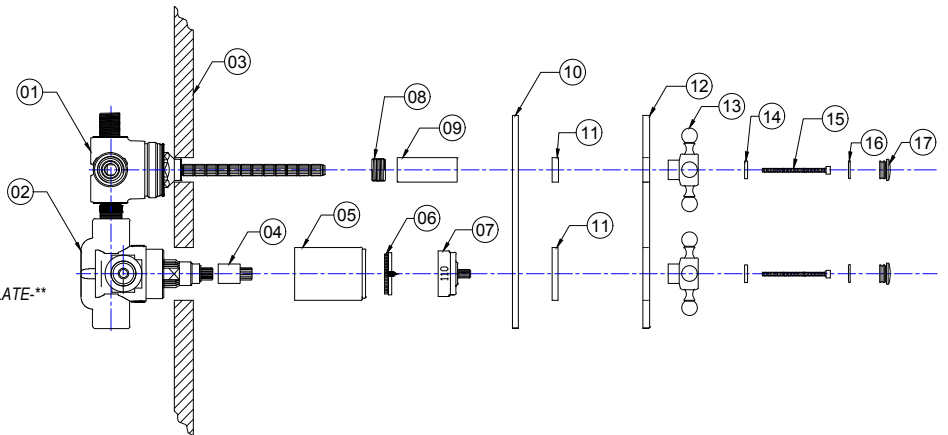
T8537-TRIM
T8572-TRIM
T8532-TRIM
T8539-TRIM
T8535-TRIM
T9536-TRIM

T8530-TRIM
T8538-TRIM
T8502-TRIM
T8533-TRIM
T8536-TRIM

T8503-TRIM
T9585-TRIM
T9586-TRIM
T8534-TRIM
T9535-TRIM

COMPONENTS

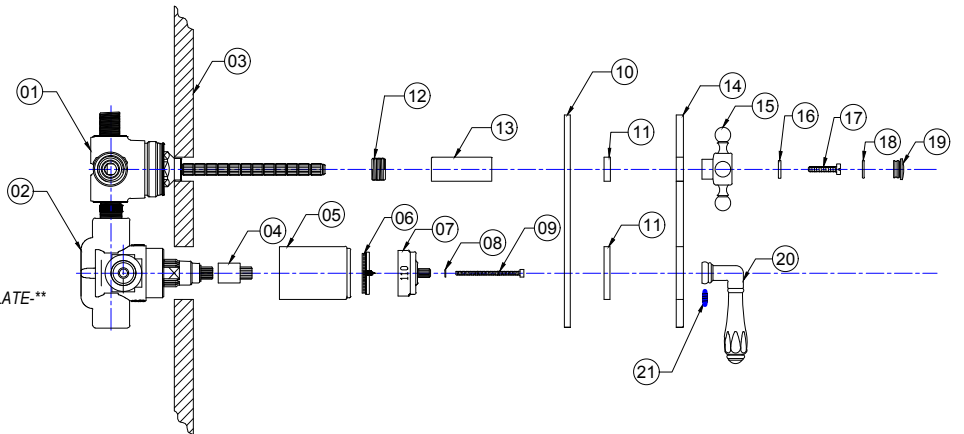
- 01 - J-20686 / J-20687 / J-20688 / J-20689
- 02 - J-TH34
- 03 - WALL
- 04 - 60mm EXTENSION - 60MM-EXT-0
- 05 - DIAL SLEEVE - 1050-9-60MM-**
- 06 - DIAL POINTER - 1050-8-0
- 07 - TEMPERATURE DIAL - 1050-6-** / 1050-7-0
- 08 - BUSHING - 6000-BUSHING-RGH
- 09 - THERM. SLEEVE - 6000-12-**
- 10 - PLATE GASKET - TH34-686-688-HRDW-0
- 11 - GASKET - 1050-10-0 / 1050-11-0
- 12 - FACE PLATE TRIM - (RECT.) 7000-PLATE-** / (OVAL) 8000-PLATE-**
- 13 - DIVERTER / THERM. HANDLE - VARIES ON MODEL
- 14 - WASHER - TH34-686-688-HRDW-0
- 15 - HANDLE SCREW - TH34-686-688-HRDW-0
- 16 - "O" RING - 30066-0
- 17 - CAP - VARIES ON MODEL



T8757-TRIM T9757-TRIM

COMPONENTS

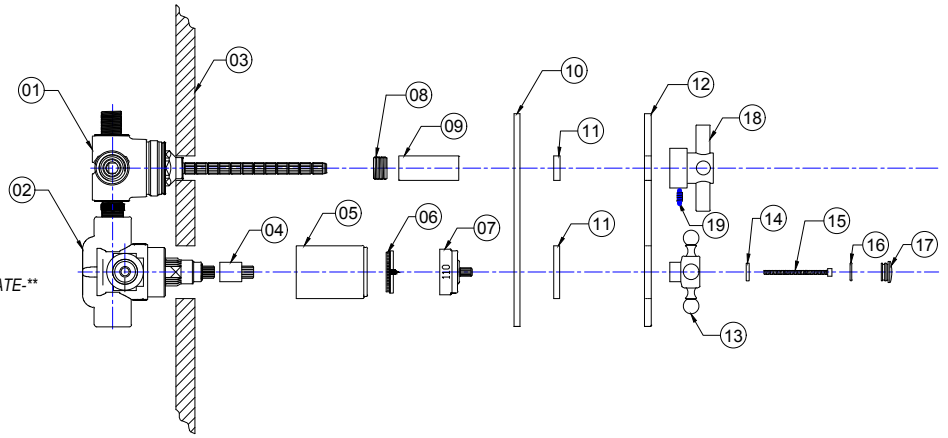
- 01 - J-20686 / J-20687 / J-20688 / J-20689
- 02 - J-TH34
- 03 - WALL
- 04 - 60 mm EXTENSION - 60MM-EXT-0
- 05 - DIAL SLEEVE - 1050-9-60MM-**
- 06 - DIAL POINTER - 1050-8-0
- 07 - TEMPERATURE DIAL - 1050-6-XX / 1050-7-0
- 08 - STAINLESS STEEL WASHER - TH34-686-688-HRDW-0
- 09 - M4 x 7 x 50mm STAINLESS STEEL - TH34-686-688-HRDW-0
- 10 - PLATE GASKET - TH34-686-688-HRDW-0
- 11 - GASKET - 1050-10-0 / 1050-11-0
- 12 - BUSHING - 6000-BUSHING-RGH
- 13 - THERM. SLEEVE - 6000-12-**
- 14 - FACE PLATE TRIM - (RECT.) 7000-PLATE-** / (OVAL) 8000-PLATE-**
- 15 - DIVERTER HANDLE - VARIES ON MODEL
- 16 - WASHER - TH34-686-688-HRDW-0
- 17 - HANDLE SCREW - TH34-686-688-HRDW-0
- 18 - "O" RING - 30066-0
- 19 - CAP - VARIES ON MODEL
- 20 - THERM. HANDLE - VARIES ON MODEL
- 21 - SET SCREW - TH34-686-688-HRDW-0



T8574-TRIM T9574-TRIM

COMPONENTS

- 01 - J-20686 / J-20687 / J-20688 / J-20689
- 02 - J-TH34
- 03 - WALL
- 04 - 60mm EXTENSION - 60MM-EXT-0
- 05 - DIAL SLEEVE - 1050-9-60MM-**
- 06 - DIAL POINTER - 1050-8-0
- 07 - TEMPERATURE DIAL - 1050-6-** / 1050-7-0
- 08 - BUSHING - 6000-BUSHING-RGH
- 09 - THERM. SLEEVE - 6000-12-**
- 10 - PLATE GASKET - TH34-686-688-HRDW-0
- 11 - GASKET - 1050-10-0 / 1050-11-0
- 12 - FACE PLATE TRIM - (RECT.) 7000-PLATE-** / (OVAL) 8000-PLATE-**
- 13 - DIVERTER / THERM. HANDLE - VARIES ON MODEL
- 14 - WASHER - TH34-686-688-HRDW-0
- 15 - HANDLE SCREW - TH34-686-688-HRDW-0
- 16 - "O" RING - 30066-0
- 17 - CAP - VARIES ON MODEL
- 18 - DIVERTER HANDLE - VARIES ON MODEL
- 19 - SET SCREW - TH34-686-688-HRDW-0



T9534-TRIM

INSTALLATION INSTRUCTIONS

Brass Trims for Thermostatic Valve with Integral Volume Control (J-THVC12)



STEP 1: FIND IMAGE AND/OR PART # OF TRIM THAT YOU PURCHASED



T6592-TRIM



T6574-TRIM



T6757-TRIM



T6586-TRIM



T6585-TRIM



T6579-TRIM



T6599-TRIM



T6547-TRIM



T6577-TRIM



T6536-TRIM



T6534-TRIM



T6000-TRIM



T4574-TRIM



T4757-TRIM



T4586-TRIM



T4585-TRIM



T6530-TRIM



T6532-TRIM



T6572-TRIM



T6549-TRIM



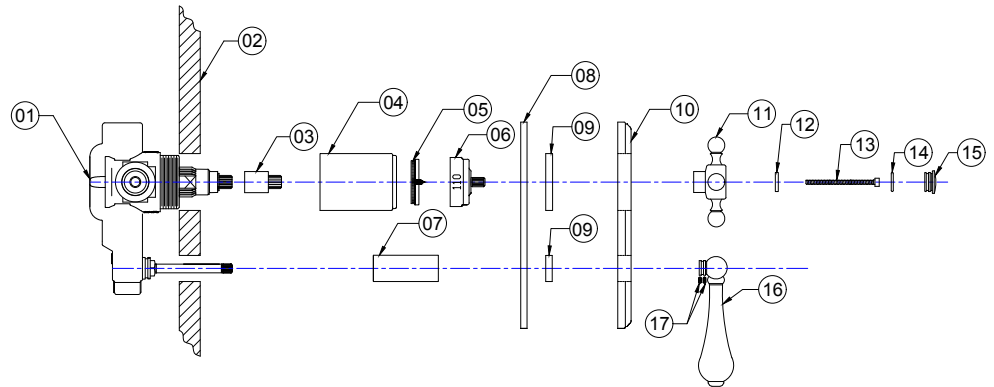
T6562-TRIM

CONTINUED →

STEP 2: FIND YOUR PART NUMBER AND FOLLOW THE STEPS IN PICTURE

COMPONENTS

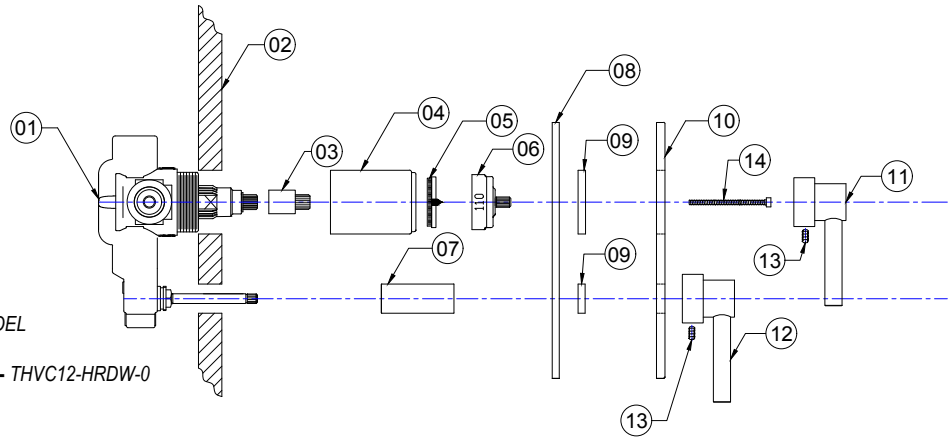
- 01 - J-THVC12
- 02 - WALL
- 03 - 60mm EXTENSION - 60MM-EXT-0
- 04 - DIAL SLEEVE - 1050-9-60MM-**
- 05 - DIAL POINTER - 1050-8-0
- 06 - TEMPERATURE DIAL - 1050-6-** / 1050-70
- 07 - THERM SLEEVE - 6000-12-**
- 08 - PLATE GASKET - THVC12-HRDW-0
- 09 - GASKETS - 1050-0 / 1050-11-0
- 10 - FACE PLATE TRIM - VARIES ON MODEL
- 11 - THERM. HANDLE - VARIES ON MODEL
- 12 - WASHER - THVC12-HRDW-0
- 13 - HANDLE SCREW - THVC12-HRDW-0
- 14 - "O" RING - 30066-0
- 15 - CAP - VARIES ON MODAL
- 16 - VOLUME CONTROL HANDLE - VARIES ON MODEL
- 17 - SET SCREWS - THVC12-HRDW-0



- T6592-TRIM T6534-TRIM
- T6574-TRIM T4574-TRIM
- T6579-TRIM
- T6577-TRIM

COMPONENTS

- 01 - J-THVC12
- 02 - WALL
- 03 - 60mm-EXTENSION - 60MM-EXT-0
- 04 - DIAL SLEEVE - 1050-9-60MM-**
- 05 - DIAL POINTER - 1050-8-0
- 06 - TEMPERATURE DIAL - 1050-6-XX / 1050-7-0
- 07 - THERM. SLEEVE - 6000-12-**
- 08 - PLATE GASKET - THVC12-HRDW-0
- 09 - GASKETS - 1050-10-0 / 1050-11-0
- 10 - FACE PLATE TRIM - VARIES TO MODEL
- 11 - THERM. HANDLE - VARIES TO MODEL
- 12 - VOLUME CONTROL HANDLE - VARIES TO MODEL
- 13 - SET SCREWS - THVC12-HRDW-0
- 14 - THERM. DIAL TO THERM CARTRIDGE SCREW - THVC12-HRDW-0



- T6757-TRIM T6536-TRIM T6530-TRIM
- T6586-TRIM T6000-TRIM T6532-TRIM
- T6585-TRIM T4757-TRIM T6572-TRIM
- T6599-TRIM T4586-TRIM T6549-TRIM
- T6547-TRIM T4585-TRIM T6562-TRIM

To learn more about JACLO's warranty, please visit [**jaclo.com**](http://jaclo.com)