

# INSTALLATION INSTRUCTIONS

## All Volume Control and Diverter Trims & Valves

# JACLO®

Confidence from start to finish.™

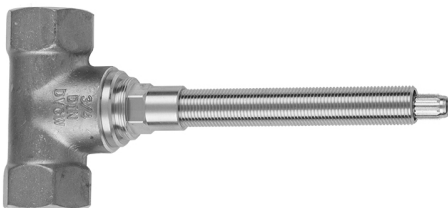
FOLLOW ALL APPLICABLE LOCAL PLUMBING CODES, PUBLIC HEALTH AND SAFETY CODES

### TRIMS

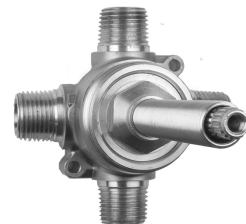


(REFER TO THE JACLO CATALOG OR JACLO.COM FOR ALL TRIM OPTIONS)

### VALVES



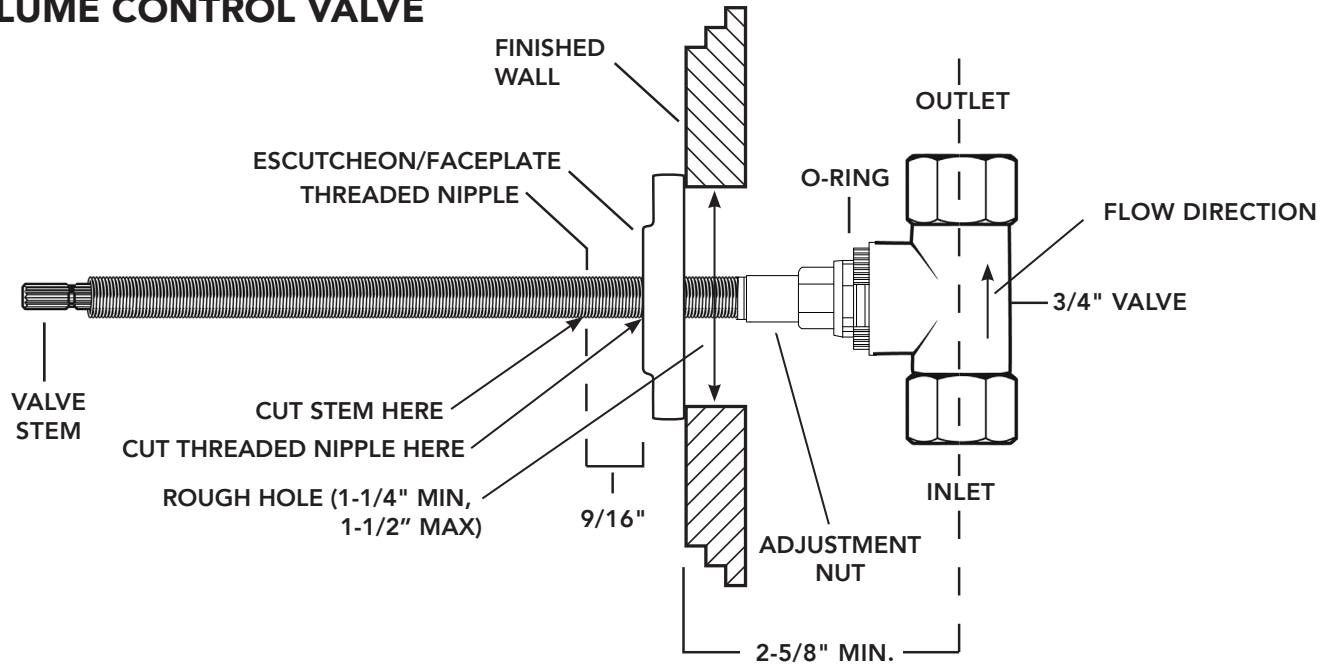
VOLUME CONTROL  
J-VC12 / J-VC34



DIVERTER

J-20682 / J-20686 / J-20687 / J-20688 / J-20689

## VOLUME CONTROL VALVE



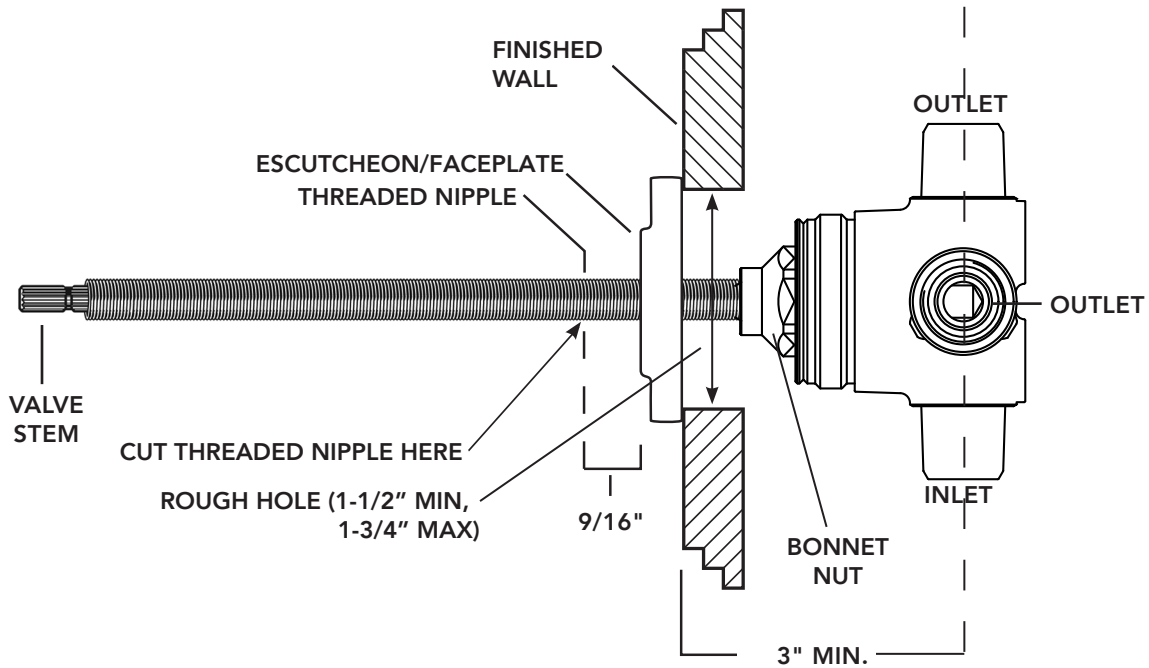
### Valve Installation

1. Remove valve cartridge from body if soldering connections at valve body
2. Use appropriate fittings for valve inlet and outlet
3. Minimum rough hole 1-1/4". Maximum size to escutcheon used
4. Install inlet and outlet so minimum position of valve is 2-5/8" from finished wall
5. **Valve is directional!** Note arrow on valve body for direction of water flow, install accordingly

### Valve Escutcheon and Stem Sizing

1. Screw escutcheon on to threaded nipple until flush with wall
  2. Mark threaded nipple flush with escutcheon
  3. Remove threaded nipple and cut at mark
  4. Cut stem to fit handle type
- \*Test fit handle onto valve stem and note how many sections will fit in handle

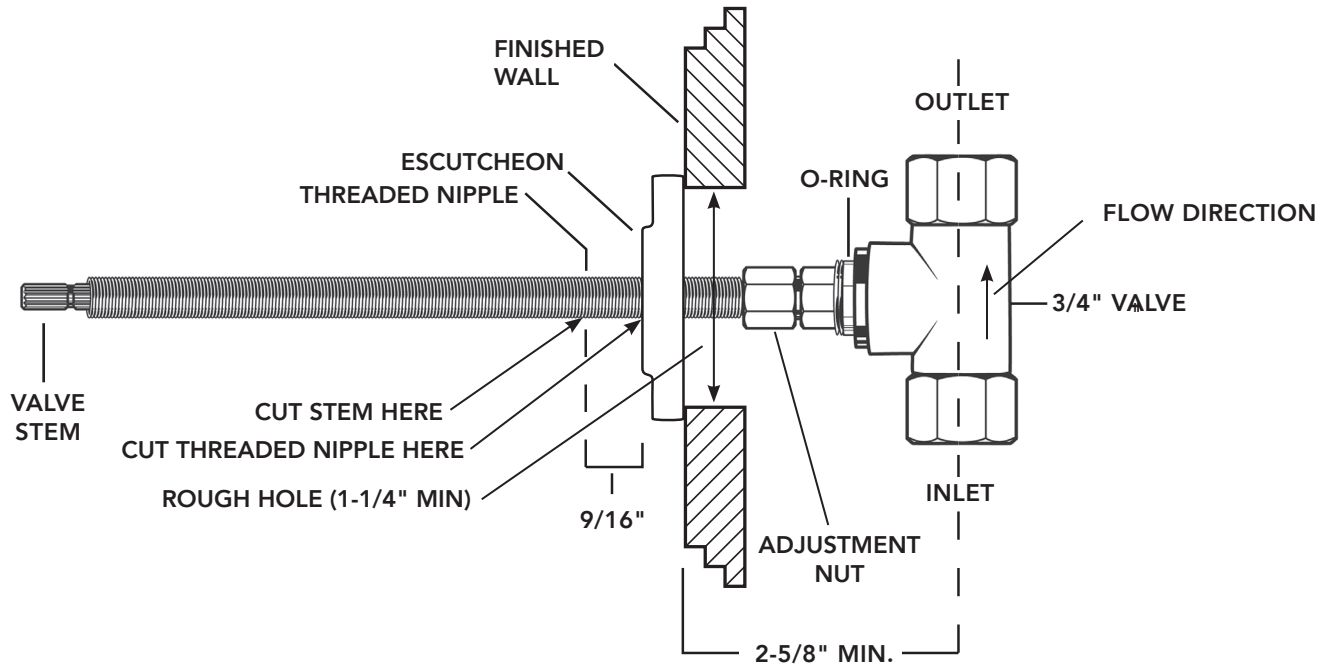
## DIVERTER VALVE



### Valve Escutcheon and Stem Sizing

1. Screw escutcheon on to threaded nipple until flush with wall
  2. Mark threaded nipple 9/16" from escutcheon/faceplate
  3. Remove threaded nipple and cut at mark
  4. Cut stem to fit handle type
- \*Test fit handle onto valve stem and note how many sections fit in handle

## Exacto™ VOLUME CONTROL VALVE



### Valve Installation

1. Remove valve cartridge from body if soldering connections at valve body
2. Use appropriate fittings for valve inlet and outlet
3. Minimum rough hole 1-1/4". Maximum size to escutcheon used
4. Install inlet and outlet so minimum position of valve is 2-5/8" from finished wall
5. **Valve is directional!** Note arrow on valve body for direction of water flow, install accordingly

### Valve Escutcheon and Stem Sizing

1. Screw escutcheon on to threaded nipple until flush with wall
2. Mark threaded nipple flush with escutcheon
3. Remove threaded nipple and cut at mark
4. Measure 9/16" from threaded nipple, cut stem here

### Handle Adjustment (J-VC34 only)

1. Turn valve to full off position counter-clockwise facing valve from outside wall view
2. Temporarily install valve handle on valve stem spline
3. Using 17mm wrench, loosen adjustment nut
4. Rotate handle and valve assembly to desired "off" position
5. Remove handle and tighten adjustment nut
6. Apply suitable caulk to back of escutcheon and install on threaded nipple flush to wall
7. Reinstall handle on valve stem spline



To learn more about JACLO's warranty, please visit [\*\*jaclo.com\*\*](http://jaclo.com)