

INSTALLATION INSTRUCTIONS

Brass Trims for Thermostatic Valve (J-TH34/J-TH12)

JACLO

Confidence from start to finish.®

STEP 1: FIND IMAGE AND/OR PART # OF TRIM THAT YOU PURCHASED THIS IS WHAT FINISHED PRODUCT WILL LOOK LIKE



T878-TRIM



T874-TRIM



T886-TRIM



T885-TRIM



T570-TRIM



T573-TRIM



T432-TRIM



T759-TRIM



T762-TRIM



T578-TRIM



T574-TRIM



T592-TRIM



T586-TRIM



T585-TRIM



T537-TRIM



T539-TRIM



T536-TRIM



T530-TRIM



T532-TRIM



T538-TRIM



T572-TRIM



T559-TRIM



T562-TRIM



T560-TRIM



T561-TRIM



T361-TRIM



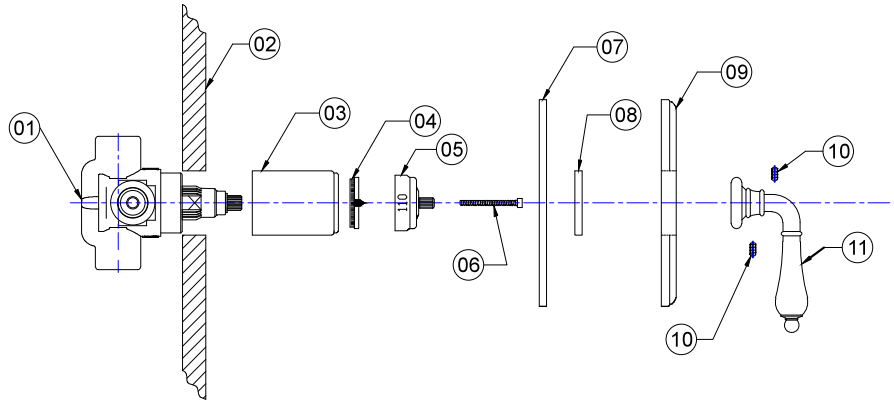
T358-TRIM

CONTINUED →

STEP 2: FIND YOUR PART NUMBER AND FOLLOW THE STEPS IN PICTURE

COMPONENTS

- 01 - J-TH34
- 02 - WALL
- 03 - DIAL SLEEVE - 1050-9-**
- 04 - DIAL POINTER - 1050-8-0
- 05 - TEMPERATURE DIAL - 1050-6-** / 1050-7-0
- 06 - SCREW - TH34-TH12-HRDW-0
- 07 - PLATE GASKET - TH34-TH12-HRDW-0
- 08 - GASKET - 1050-10-0
- 09 - FACE PLATE TRIM - VARIES ON MODEL
- 10 - SET SCREW - VARIES ON MODEL
- 11 - HANDLE - VARIES ON MODEL



T574-TRIM
T585-TRIM
T537-TRIM
T539-TRIM
T536-TRIM

T432-TRIM
T874-TRIM
T885-TRIM
T570-TRIM
T759-TRIM

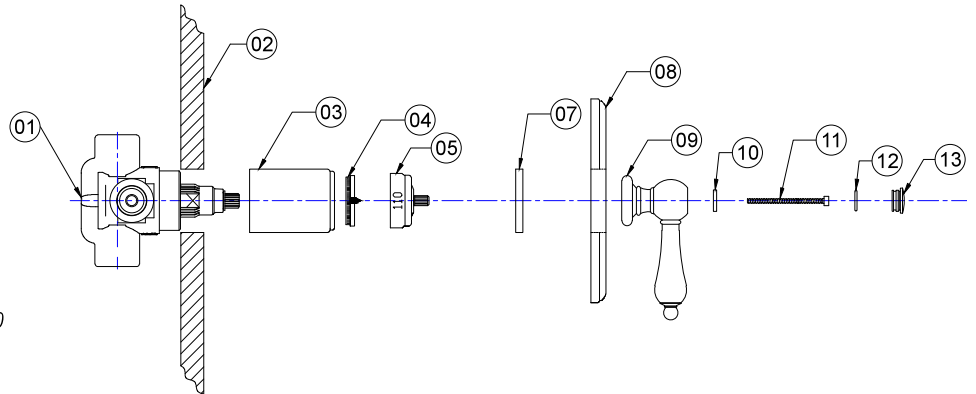
T573-TRIM
T532-TRIM
T538-TRIM
T762-TRIM
T572-TRIM

T586-TRIM
T886-TRIM
T530-TRIM
T562-TRIM
T559-TRIM

T560-TRIM
T561-TRIM
T361-TRIM
T358-TRIM

COMPONENTS

- 01 - J-TH34
- 02 - WALL
- 03 - DIAL SLEEVE - 1050-9-**
- 04 - DIAL POINTER - 1050-8-0
- 05 - TEMPERATURE DIAL - 1050-6-** / 1050-7-0
- 06 - PLATE GASKET - TH34-TH12-HRDW-0
- 07 - GASKET - 1050-10-0
- 08 - FACE PLATE TRIM - VARIES ON MODEL
- 09 - HANDLE - VARIES ON MODEL
- 10 - WASHER - 30751-13-0
- 11 - SCREW THRU HANDLE - TH34-TH12-HRW-0
- 12 - "O" RING - 30066-0
- 13 - CAP - VARIES ON MODEL



T578-TRIM

T592-TRIM

T878-TRIM

INSTALLATION INSTRUCTIONS

Brass Trims for Thermostatic Valve with Built In
2 Way & 3 Way Diverter/Volume Control (J-TH34-686/
J-TH34-687/J-TH34-688/J-TH34-689)

JACLO

Confidence from start to finish.®

STEP 1: FIND IMAGE AND/OR PART # OF TRIM THAT YOU PURCHASED



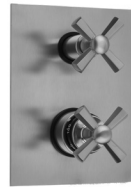
T8574-TRIM



T8757-TRIM



T8586-TRIM



T8585-TRIM



T7537-TRIM



T7572-TRIM



T7532-TRIM



T7530-TRIM



T7538-TRIM



T7502-TRIM



T7503-TRIM



T7539-TRIM



T7533-TRIM



T7534-TRIM



T7535-TRIM



T7536-TRIM



T7549-TRIM



T7560-TRIM



T7561-TRIM



T7361-TRIM



T7358-TRIM

CONTINUED →

INSTALLATION INSTRUCTIONS

Brass Trims for Thermostatic Valve with Built In
2 Way & 3 Way Diverter/Volume Control (J-TH34-686/
J-TH34-687/J-TH34-688/J-TH34-689)

JACLO

Confidence from start to finish.®

STEP 1 (cont.): FIND IMAGE AND/OR PART # OF TRIM THAT YOU PURCHASED



T9574-TRIM



T9757-TRIM



T9586-TRIM



T9585-TRIM



T8572-TRIM



T8537-TRIM



T8530-TRIM



T8538-TRIM



T8532-TRIM



T8539-TRIM



T8533-TRIM



T8534-TRIM



T8535-TRIM



T8536-TRIM



T8560-TRIM



T8561-TRIM



T8361-TRIM



T8358-TRIM



T9534-TRIM



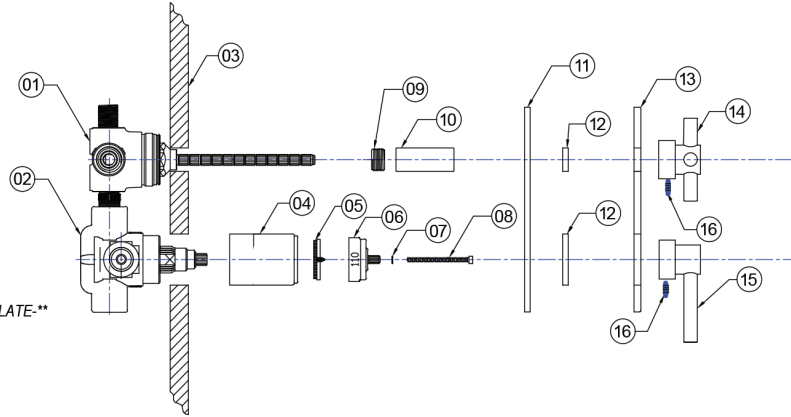
T9536-TRIM

CONTINUED →

STEP 2: FIND YOUR PART NUMBER AND FOLLOW THE STEPS IN PICTURE

COMPONENTS

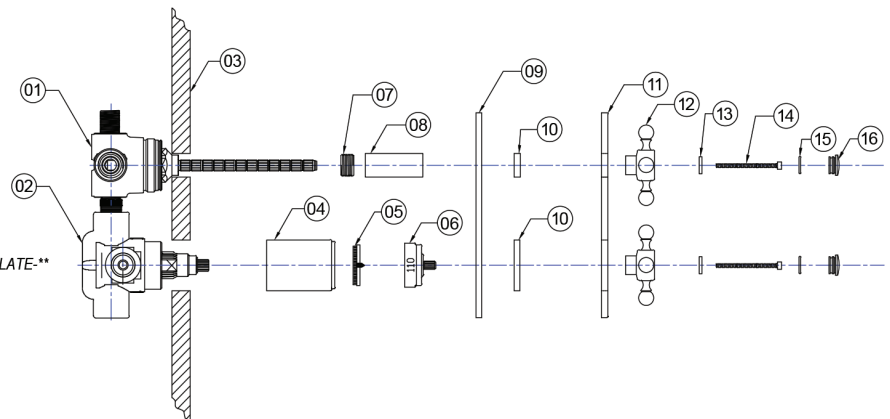
- 01 - J-20686 / J-20687 / J-20688 / J-20689
- 02 - J-TH34
- 03 - WALL
- 04 - DIAL SLEEVE - 1050-9-**
- 05 - DIAL POINTER - 1050-8-0
- 06 - TEMPERATURE DIAL - 1050-6-** / 1050-7-0
- 07 - STAINLESS STEEL WASHER - TH34-686-688-HRDW-0
- 08 - M4 x 7 x 50mm STAINLESS STEEL - TH34-686-688-HRDW-0
- 09 - BUSHING - 6000-BUSHING-RGH
- 10 - THERM. SLEEVE - 6000-75-**
- 11 - PLATE GASKET - TH34-686-688-HRDW-0
- 12 - GASKET - 1050-10-0 / 1050-11-0
- 13 - FACE PLATE TRIM - (RECT.) 7000-PLATE-** / (OVAL) 8000-PLATE-**
- 14 - DIVERTER HANDLE - VARIES ON MODEL
- 15 - THERM. HANDLE - VARIES ON MODEL
- 16 - SET SCREW - TH34-686-688-HRDW-0



T7537-TRIM	T7538-TRIM	T7534-TRIM	T8537-TRIM	T8538-TRIM	T8561-TRIM
T7572-TRIM	T7502-TRIM	T7560-TRIM	T8572-TRIM	T8533-TRIM	T8361-TRIM
T7532-TRIM	T7533-TRIM	T7561-TRIM	T8532-TRIM	T8536-TRIM	T8358-TRIM
T7539-TRIM	T7536-TRIM	T7361-TRIM	T8539-TRIM	T9585-TRIM	
T7535-TRIM	T7503-TRIM	T7358-TRIM	T8535-TRIM	T9586-TRIM	
T7549-TRIM	T8585-TRIM		T9536-TRIM	T8534-TRIM	
T7530-TRIM	T8586-TRIM		T8530-TRIM	T8560-TRIM	

COMPONENTS

- 01 - J-20686 / J-20687 / J-20688 / J-20689
- 02 - J-TH34
- 03 - WALL
- 04 - DIAL SLEEVE - 1050-9-**
- 05 - DIAL POINTER - 1050-8-0
- 06 - TEMPERATURE DIAL - 1050-6-** / 1050-7-0
- 07 - BUSHING - 6000-BUSHING-RGH
- 08 - THERM. SLEEVE - 6000-75-**
- 09 - PLATE GASKET - TH34-686-688-HRDW-0
- 10 - GASKET - 1050-10-0 / 1050-11-0
- 11 - FACE PLATE TRIM - (RECT.) 7000-PLATE-** / (OVAL) 8000-PLATE-**
- 12 - DIVERTER / THERM. HANDLE - VARIES ON MODEL
- 13 - WASHER - TH34-686-688-HRDW-0
- 14 - HANDLE SCREW - TH34-686-688-HRDW-0
- 15 - "O" RING - 30066-0
- 16 - CAP - VARIES ON MODEL



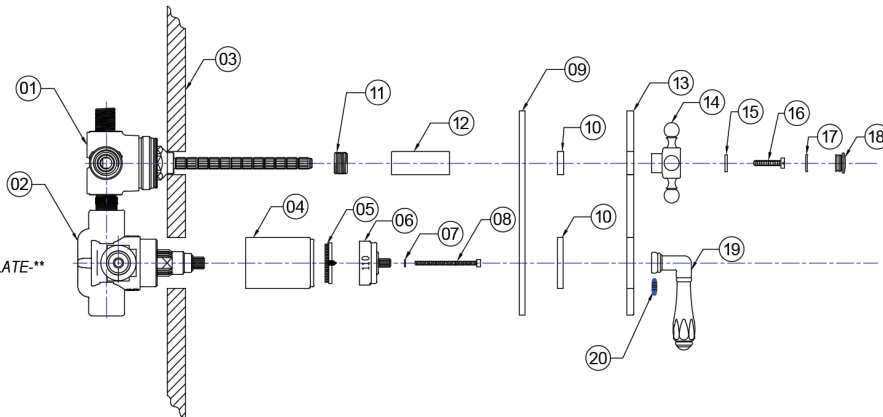
T8757-TRIM

T9757-TRIM

STEP 2 (cont.): FIND YOUR PART NUMBER AND FOLLOW THE STEPS IN PICTURE

COMPONENTS

- 01 - J-20686 / J-20687 / J-20688 / J-20689
- 02 - J-TH34
- 03 - WALL
- 04 - DIAL SLEEVE - 1050-9-**
- 05 - DIAL POINTER - 1050-8-0
- 06 - TEMPERATURE DIAL - 1050-6-XX / 1050-7-0
- 07 - STAINLESS STEEL WASHER - TH34-686-688-HRDW-0
- 08 - M4 x 7 x 50mm STAINLESS STEEL - TH34-686-688-HRDW-0
- 09 - PLATE GASKET - TH34-686-688-HRDW-0
- 10 - GASKET - 1050-10-0 / 1050-11-0
- 11 - BUSHING - 6000-BUSHING-RGH
- 12 - THERM. SLEEVE - 6000-75-**
- 13 - FACE PLATE TRIM - (RECT.) 7000-PLATE-** / (OVAL) 8000-PLATE-**
- 14 - DIVERTER HANDLE - VARIES ON MODEL
- 15 - WASHER - TH34-686-688-HRDW-0
- 16 - HANDLE SCREW - TH34-686-688-HRDW-0
- 17 - "O" RING - 30066-0
- 18 - CAP - VARIES ON MODEL
- 19 - THERM. HANDLE - VARIES ON MODEL
- 20 - SET SCREW - TH34-686-688-HRDW-0

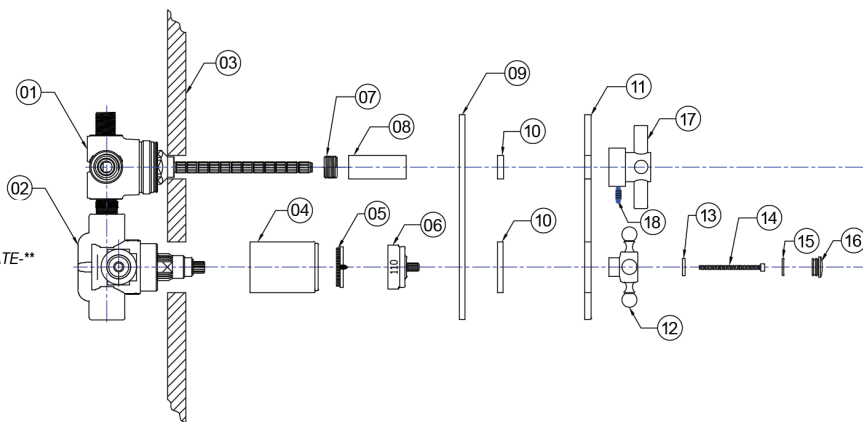


T8574-TRIM

T9574-TRIM

COMPONENTS

- 01 - J-20686 / J-20687 / J-20688 / J-20689
- 02 - J-TH34
- 03 - WALL
- 04 - DIAL SLEEVE - 1050-9-**
- 05 - DIAL POINTER - 1050-8-0
- 06 - TEMPERATURE DIAL - 1050-6-** / 1050-7-0
- 07 - BUSHING - 6000-BUSHING-RGH
- 08 - THERM. SLEEVE - 6000-75-**
- 09 - PLATE GASKET - TH34-686-688-HRDW-0
- 10 - GASKET - 1050-10-0 / 1050-11-0
- 11 - FACE PLATE TRIM - (RECT.) 7000-PLATE-** / (OVAL) 8000-PLATE-**
- 12 - DIVERTER / THERM. HANDLE - VARIES ON MODEL
- 13 - WASHER - TH34-686-688-HRDW-0
- 14 - HANDLE SCREW - TH34-686-688-HRDW-0
- 15 - "O" RING - 30066-0
- 16 - CAP - VARIES ON MODEL
- 17 - DIVERTER HANDLE - VARIES ON MODEL
- 18 - SET SCREW - TH34-686-688-HRDW-0



T9534-TRIM

To learn more about JACLO's warranty, please visit [**jaclo.com**](http://jaclo.com)