

36" Deluxe Grab Bar with Contemporary Hex Flange

Model #: 2936-



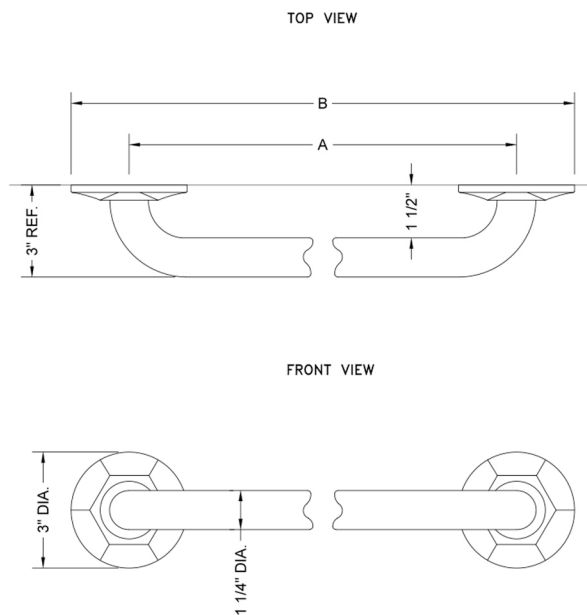
FEATURES:

- ADA compliant when properly installed
- Complements Westfield & Astor collections
- Covers standard 3" flange on existing stainless steel grab bars
- No need to re-tile in retro-fit applications
- 1 1/4" diameter
- For large quantity custom lengths contact hospitality@jaclo.com
- Grab bars 24" or longer are NOT AVAILABLE in PG or SG. For large quantity orders, please contact hospitality@jaclo.com

AVAILABLE FINISHES:

| | | |
|------------------------------|---------------------|-------------------------|
| Polished Chrome (PCH) | Satin Chrome (SC) | Bronze Umber (BU) |
| Satin Nickel (SN) | Pewter (PEW) | Caramel Bronze (CB) |
| Polished Nickel (PN) | Antique Brass (AB) | Antique Copper (ACU) |
| Oil-Rubbed Bronze (ORB) | Polished Brass (PB) | Polished Copper (PCU) |
| Vintage Bronze (VB) | Satin Brass (SB) | Matte Black (MBK) |
| Black Nickel (BKN) | White (WH) | Unlacquered Brass (ULB) |
| Satin Cooper (SCU) | Almond (ALD) | Amber (AMB) |
| Azure Blue (AZB) | Coral (COR) | Mint Green (GRN) |
| Stone Grey (GRY) | Lilac (LAC) | Light Blue (LBL) |
| Limon (LIM) | Plum (PLM) | Pink (PNK) |
| Red (RED) | Graphite (GPH) | |
| Aged Unlacquered Brass (AUB) | | |

SPECIFICATION DRAWING:



| GRAB BAR WITH CONTEMPORARY HEX FLANGE | | | |
|---------------------------------------|--------------|-----|-----|
| PART. # | DESCRIPTION | A | B |
| 2912 | 12" GRAB BAR | 12" | 15" |
| 2916 | 16" GRAB BAR | 16" | 19" |
| 2918 | 18" GRAB BAR | 18" | 21" |
| 2924 | 24" GRAB BAR | 24" | 27" |
| 2932 | 32" GRAB BAR | 32" | 35" |
| 2936 | 36" GRAB BAR | 36" | 39" |
| 2942 | 42" GRAB BAR | 42" | 45" |
| 2948 | 48" GRAB BAR | 48" | 51" |