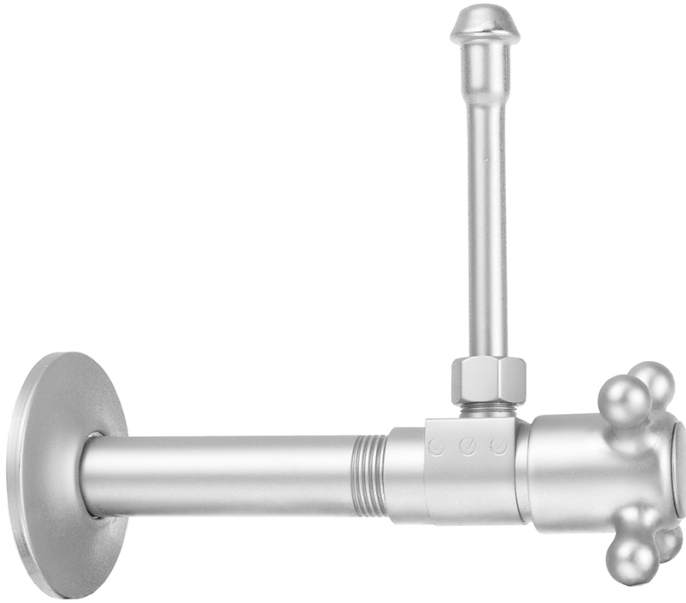


Quarter Turn Ceramic Disc Angle Pattern 1/2" IPS x 3/8" O.D. Faucet Supply Kit with Cross Handle and 20" Supply Tubes



Model #: 314-X-62-



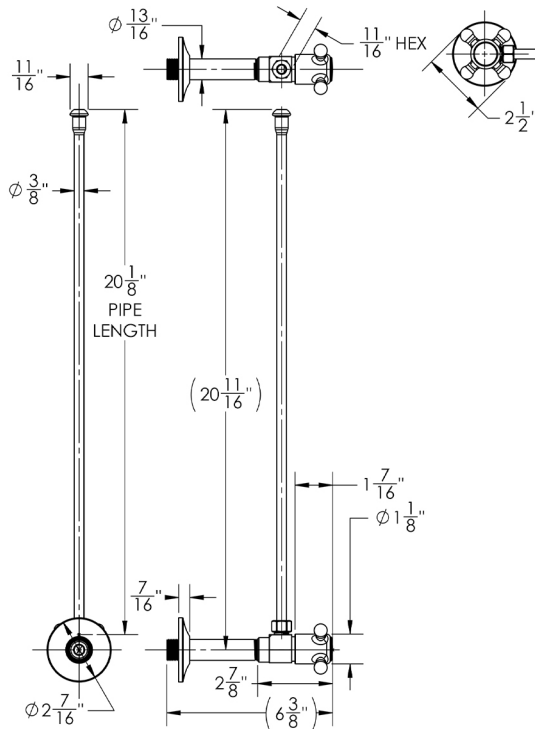
FEATURES:

- Complete Faucet Supply Kit
- Kit contains:
- (2) Quarter Turn Ceramic Disc Angle Pattern 1/2" IPS x 3/8" O.D. Supply Valve with Contempo Lever Handle P/N 314-X
- (2) 20" Copper Supply Tube P/N 662
- (2) Escutcheons P/N 741
- (2) 1/2" Brass Nipples P/N 801-12.4

AVAILABLE FINISHES:

Polished Chrome (PCH)	Satin Chrome (SC)	Bronze Umber (BU)
Satin Nickel (SN)	Pewter (PEW)	Caramel Bronze (CB)
Polished Nickel (PN)	Antique Brass (AB)	Antique Copper (ACU)
Oil-Rubbed Bronze (ORB)	Polished Brass (PB)	Polished Copper (PCU)
Vintage Bronze (VB)	Satin Brass (SB)	Matte Black (MBK)
Satin Gold (SG)	Polished Gold (PG)	Black Nickel (BKN)
White (WH)	Unlacquered Brass (ULB)	Satin Cooper (SCU)
Almond (ALD)	Amber (AMB)	Azure Blue (AZB)
Coral (COR)	Mint Green (GRN)	Stone Grey (GRY)
Lilac (LAC)	Light Blue (LBL)	Limon (LIM)
Plum (PLM)	Pink (PNK)	Red (RED)
Graphite (GPH)	Aged Unlacquered Brass (AUB)	

SPECIFICATION DRAWING:



* THE 314-X-62 KIT CONTAINS TWO OF EACH COMPONENT AS SHOWN IN THE ASSEMBLY.

AVAILABLE HANDLES:

